
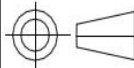
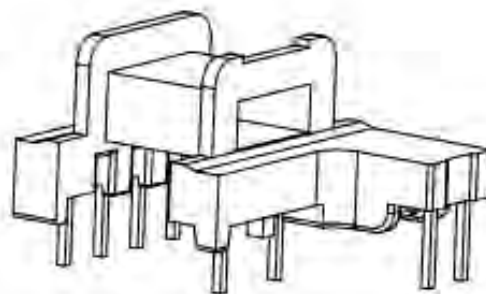
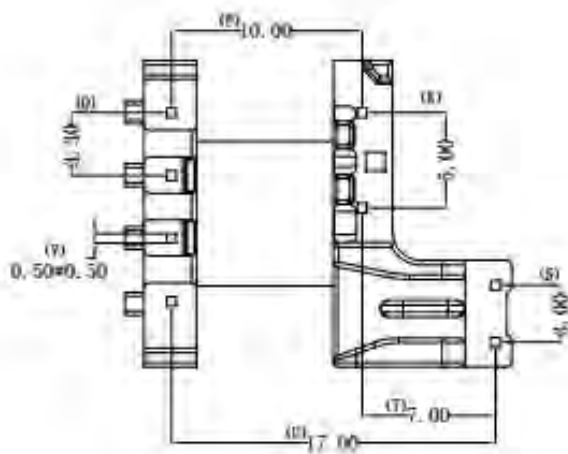
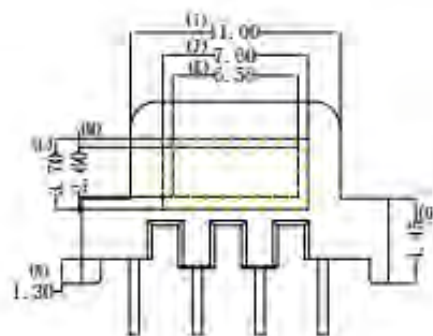
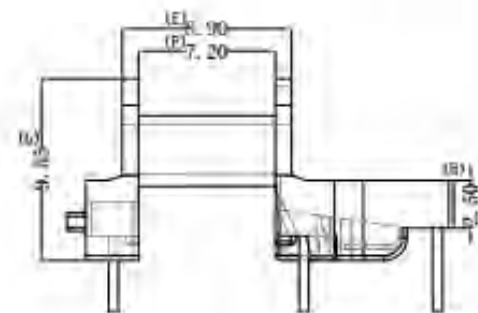
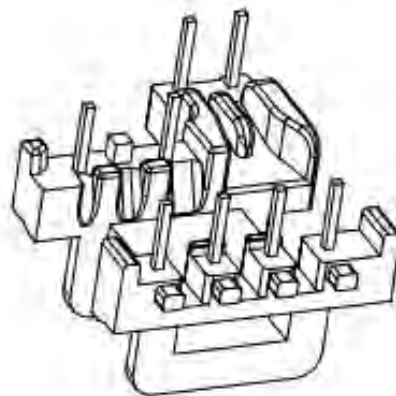
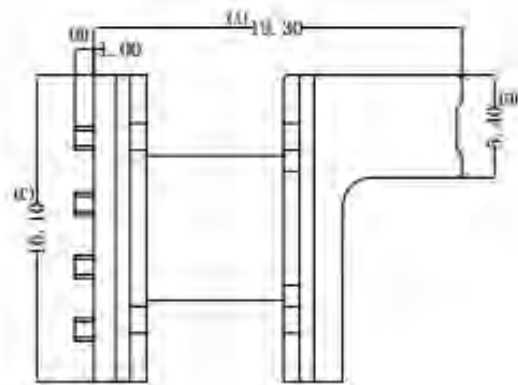

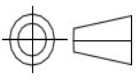
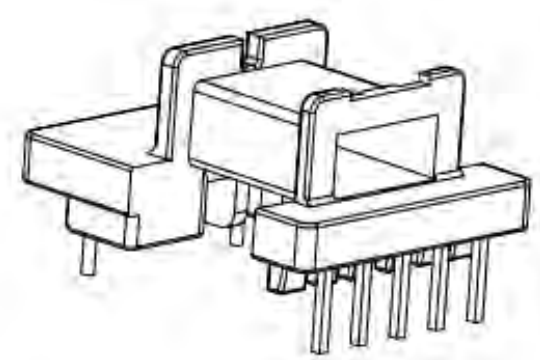
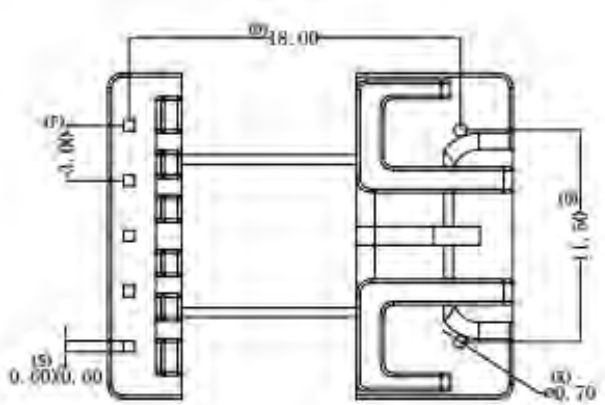
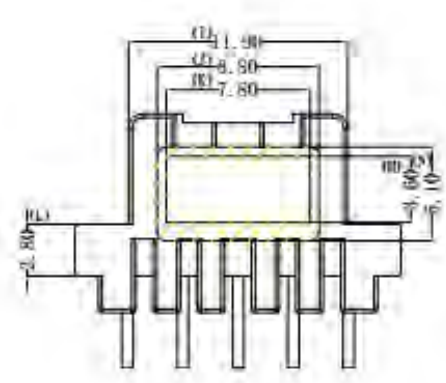
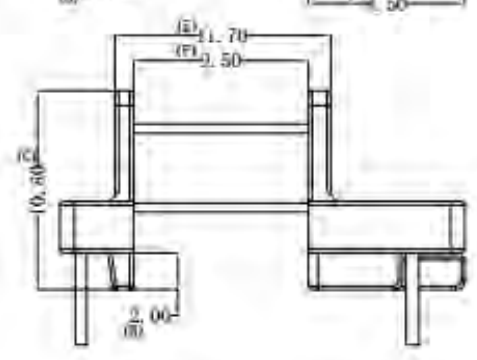
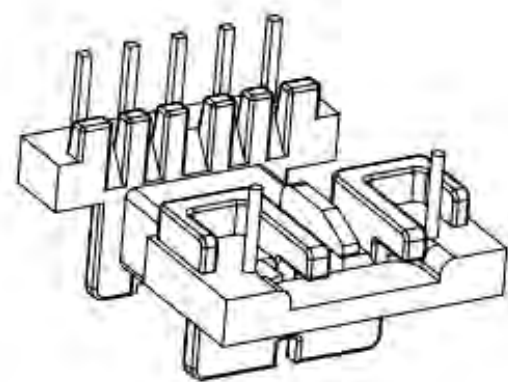
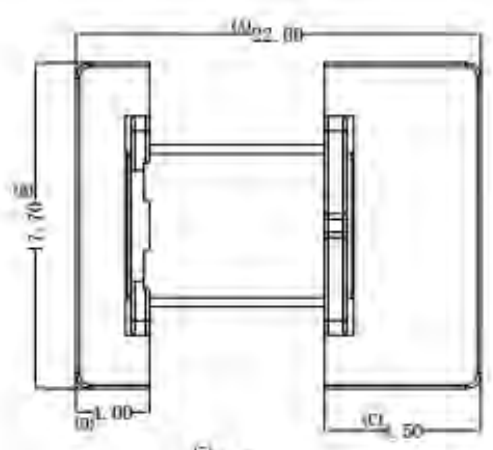

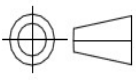


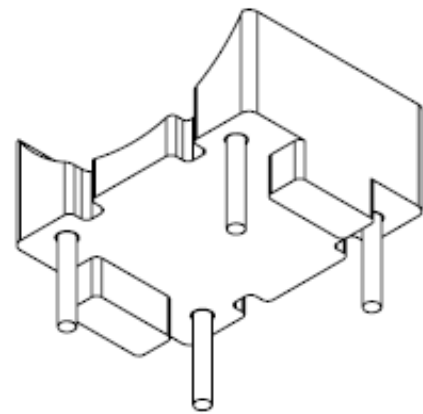
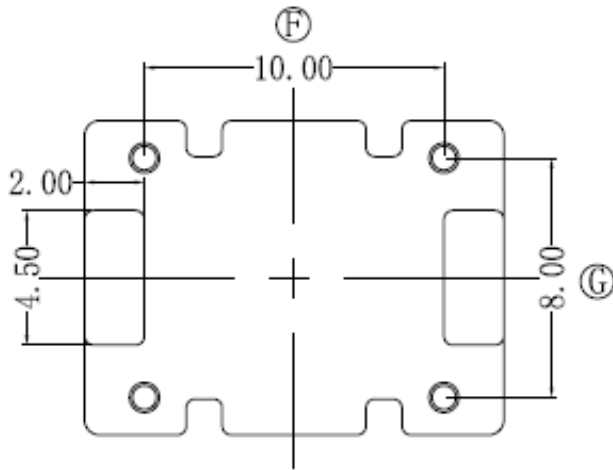
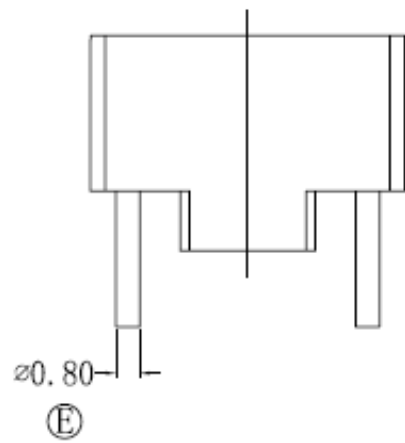
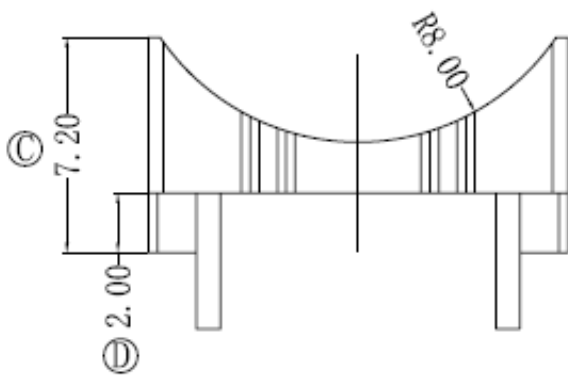
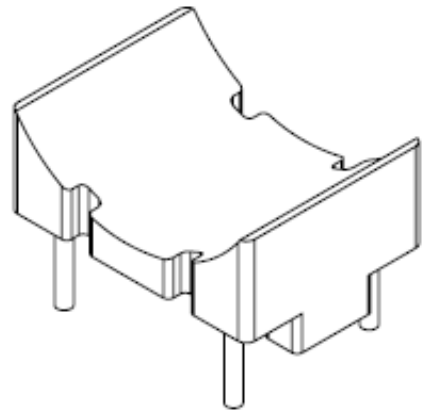
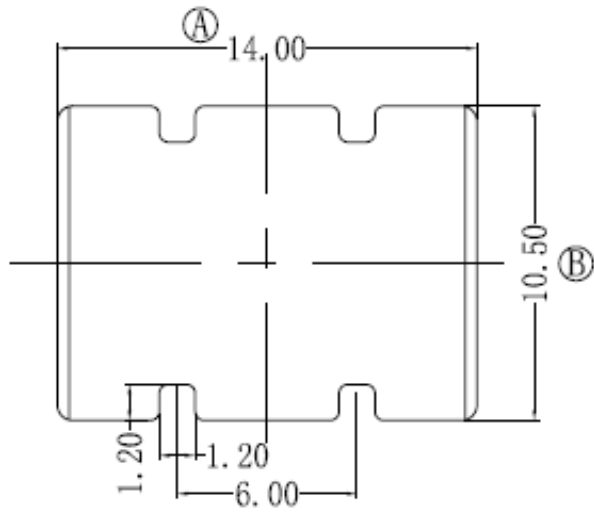
DRAFTED BY	TianXipeng	TOLERANCE		ANGLR: ±1°	MODEL NAME: EM-1505 (4+3+2) PIN		
CHECKED BY	Jack Wang	0<L≤4 ±0.1 4<L≤16 ±0.2 16<L≤63 ±0.3	Pin pitch ±0.20	UNIT:MM	MATERIAL: PHENOLIC	UL REC: UL 94V-0	
 SHANHOM ENTERPRISE CO.,LTD TEL: 029-87851838 FAX:029-87851840 Email: sales@shinhom.com.cn				SCALE: 1/1	TERMINAL MAT:CP WIRE	PIN TENSION LOAD: 1.0 KGS MIN	
					DATE: 2016.07.30	DRAWING NO:	REV. A


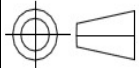


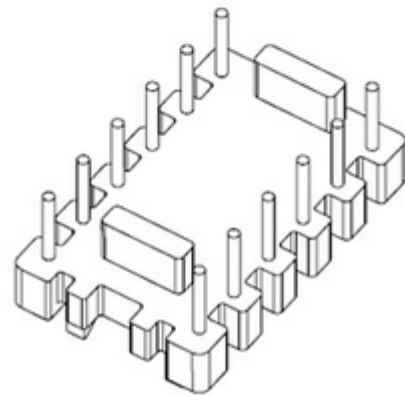
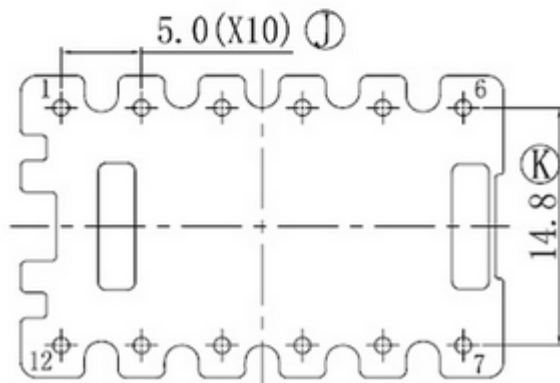
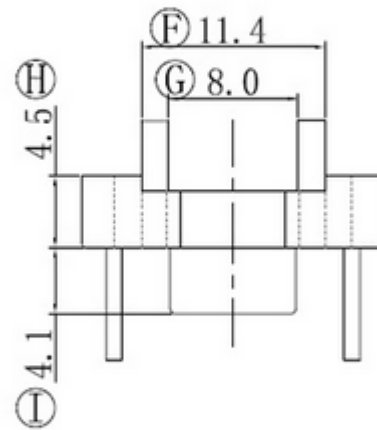
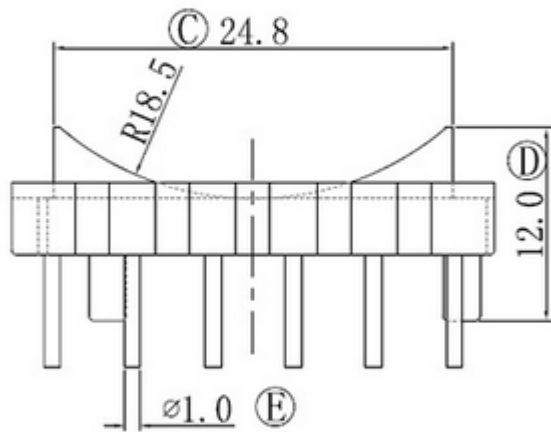
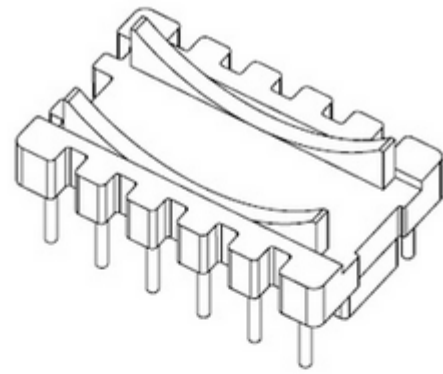
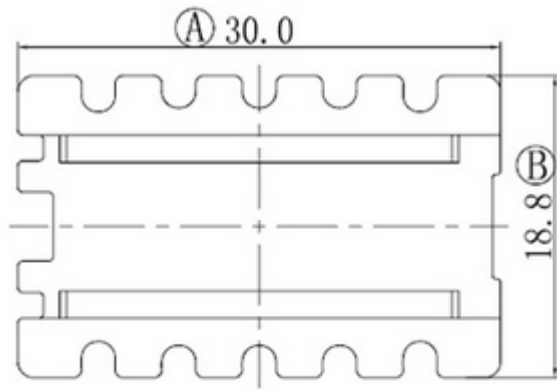
DRAFTED BY	TianXipeng	TOLERANCE		ANGLR: ±1°	MODEL NAME: EM-15H (4+2+2) PIN		
CHECKED BY	Jack Wang	0<L≤4 ±0.1 4<L≤16 ±0.2 16<L≤63 ±0.3	Pin pitch ±0.20	UNIT:MM	MATERIAL: PHENOLIC	UL REC: UL 94V-0	
 SHANHOM ENTERPRISE CO.,LTD TEL: 029-87851838 FAX:029-87851840 Email: sales@shinhom.com.cn				SCALE: 1/1	TERMINAL MAT:CP WIRE	PIN TENSION LOAD: 1.0 KGS MIN	
					DATE: 2016.07.30	DRAWING NO:	REV. A


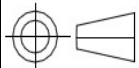


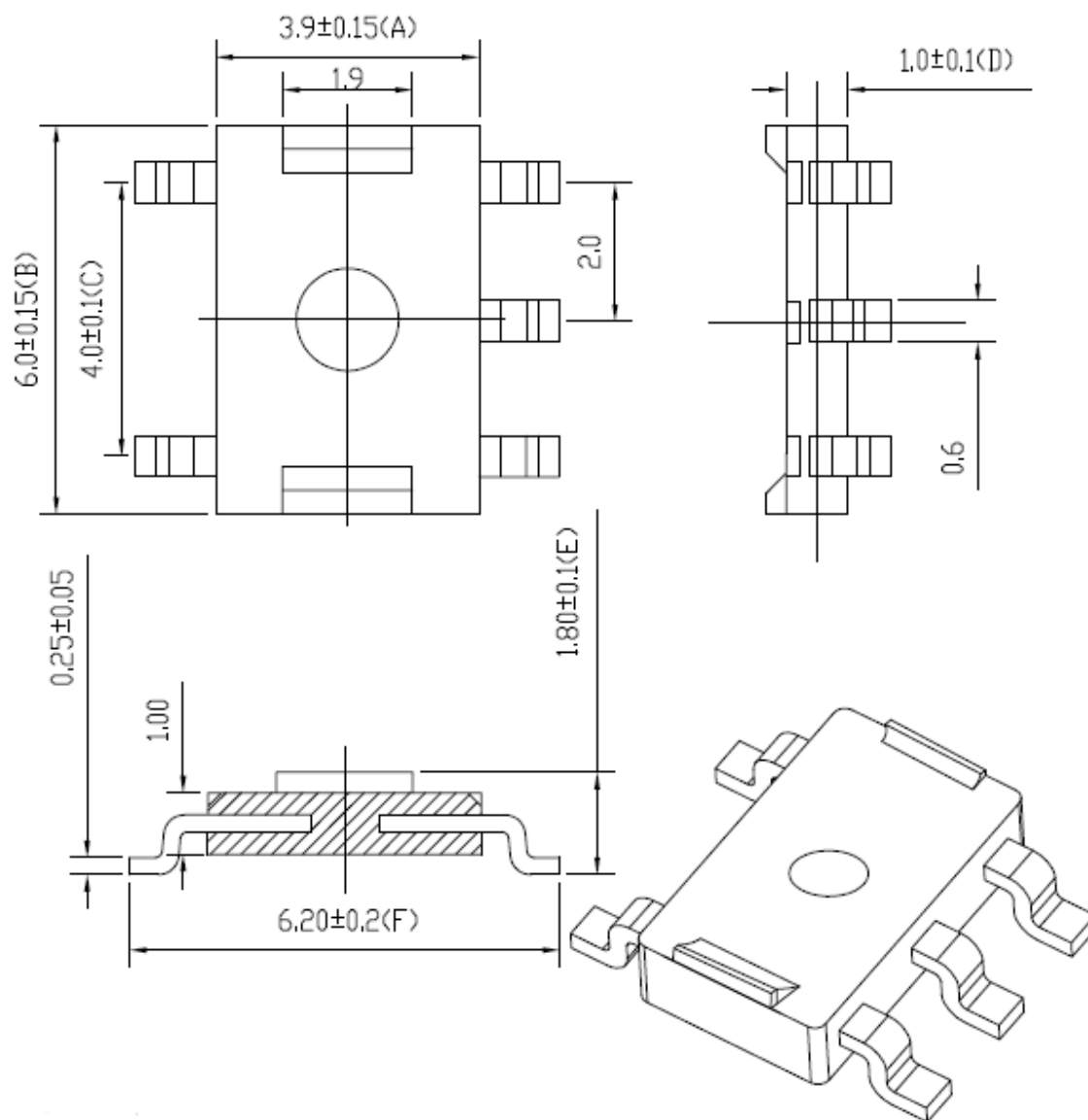
DRAFTED BY	TianXipeng	TOLERANCE		ANGLR: ±1°	MODEL NAME: EM-18H (5+2) PIN	
CHECKED BY	Jack Wang	0<L≤4 ±0.1 4<L≤16 ±0.2 16<L≤63 ±0.3	Pin pitch ±0.20	UNIT:MM	MATERIAL: PHENOLIC	UL REC: UL 94V-0
 SHANHOM ENTERPRISE CO.,LTD TEL: 029-87851838 FAX:029-87851840 Email: sales@shinhom.com.cn				SCALE: 1/1	TERMINAL MAT:CP WIRE	PIN TENSION LOAD: 1.0 KGS MIN
					DATE: 2016.07.30	DRAWING NO:


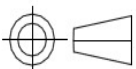


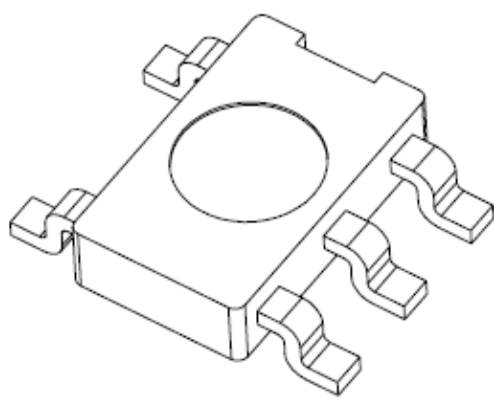
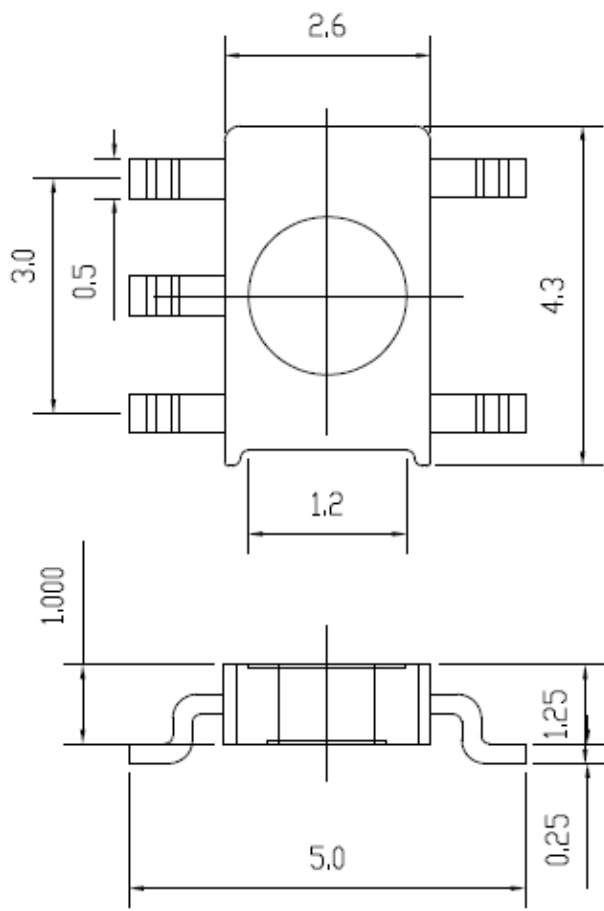
DRAFTED BY	TianXipeng	TOLERANCE		ANGLR: ±1°	MODEL NAME: BASE(2+2pins)	
CHECKED BY	Jack Wang	0<L≤4 ±0.1 4<L≤16 ±0.2 16<L≤63 ±0.3	Pin pitch ±0.20	UNIT:MM	MATERIAL: PBT	UL REC: UL 94V-0
 SHANHOM SHAANXI SHINHOM ENTERPRISE CO.,LTD TEL: 029-87851838      FAX:029-87851840 Email: sales@shinhom.com.cn				SCALE: 1/1	TERMINAL MAT:CP WIRE	PIN TENSION LOAD: 1.0 KGS MIN
					DATE: 2015.05.15	DRAWING NO:


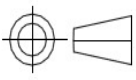


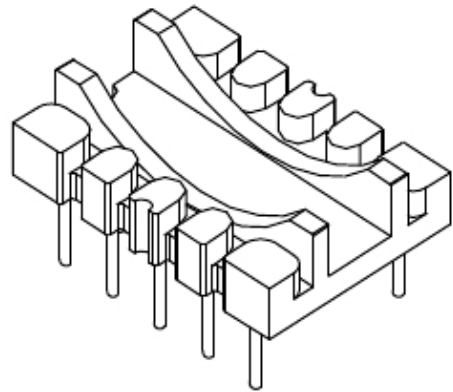
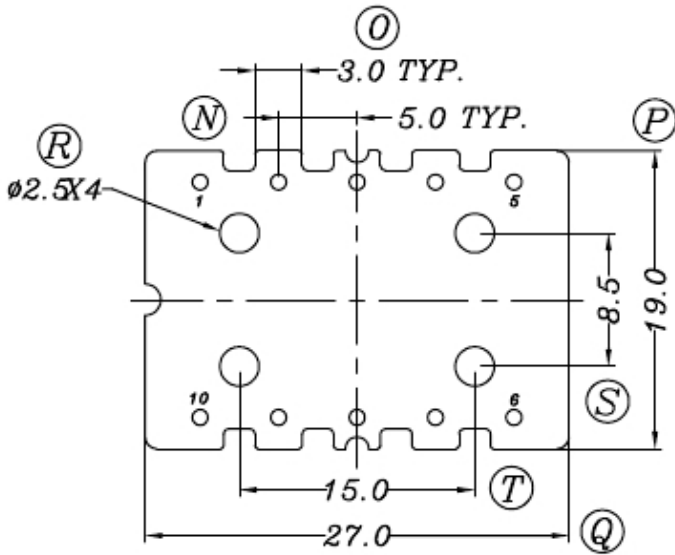
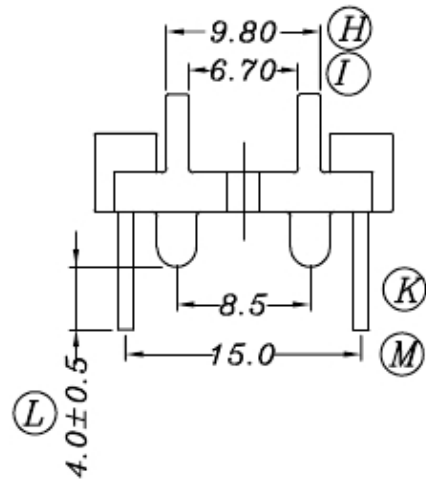
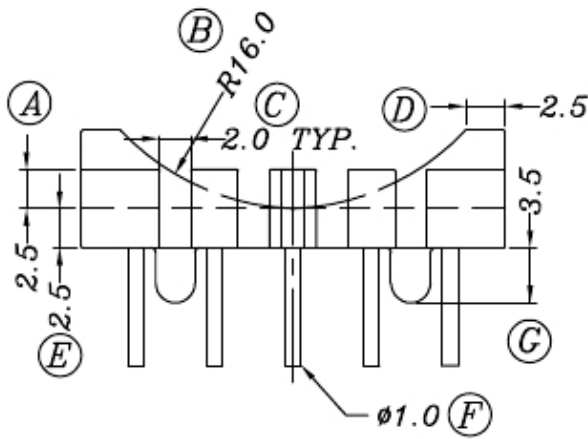
DRAFTED BY	TianXipeng	TOLERANCE		ANGLR: ±1°	MODEL NAME: BASE-12pin	
CHECKED BY	Jack Wang	0<L≤4 ±0.1 4<L≤16 ±0.2 16<L≤63 ±0.3	Pin pitch ±0.20	UNIT:MM	MATERIAL: PHENOLIC	UL REC: UL 94V-0
 SHINHOM SHAANXI SHINHOM ENTERPRISE CO.,LTD TEL: 029-87851838      FAX:029-87851840 Email: sales@shinhom.com.cn	SCALE: 1/1	TERMINAL MAT:CP WIRE	PIN TENSION LOAD: 1.0 KGS MIN		DATE: 2015.05.15	DRAWING NO:
					REV. A	


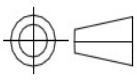


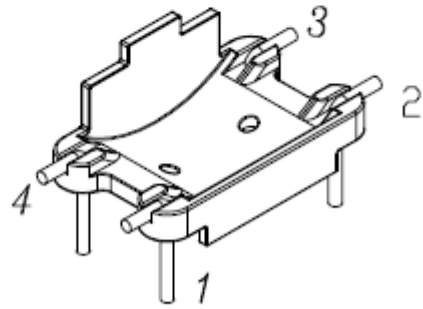
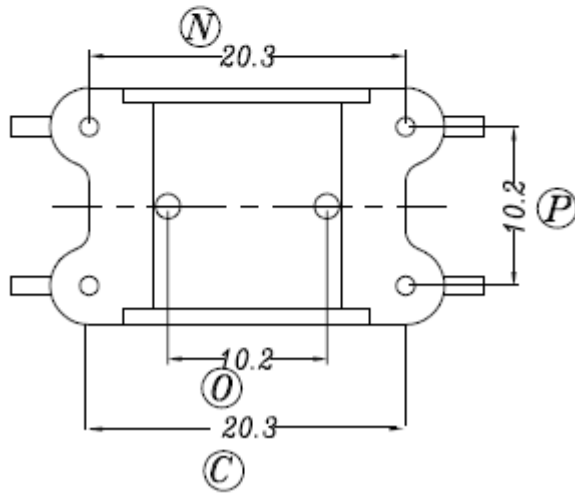
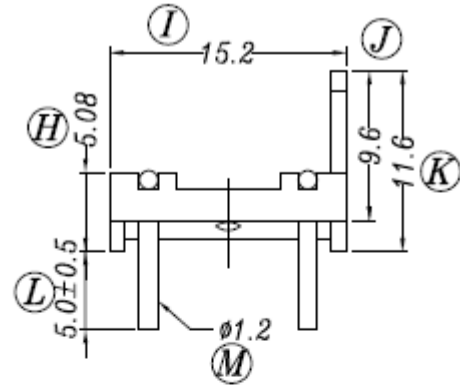
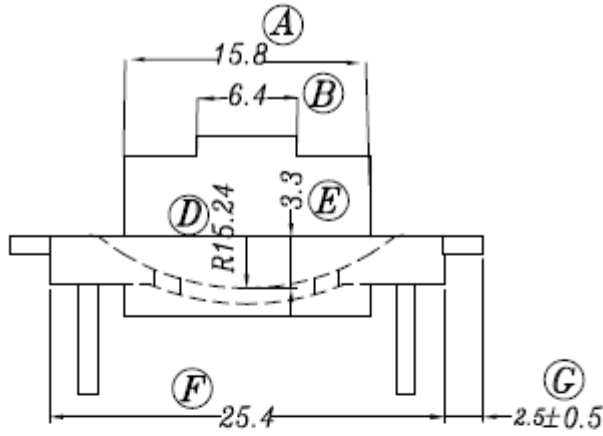
DRAFTED BY	TianXipeng	TOLERANCE		ANGLR: ±1°	MODEL NAME: BASE018 SMD	
CHECKED BY	Jack Wang	0<L≤4 ±0.1 4<L≤16 ±0.2 16<L≤63 ±0.3	Pin pitch ±0.20	UNIT:MM	MATERIAL: DAP9100	UL REC: UL 94V-0
 SHANHOM SHAANXI SHINHOM ENTERPRISE CO.,LTD TEL: 029-87851838      FAX:029-87851840 Email: sales@shinhom.com.cn				SCALE: 1/1	TERMINAL MAT:CP WIRE	PIN TENSION LOAD: 1.0 KGS MIN
					DATE: 2018.05.15	DRAWING NO:


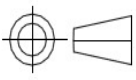


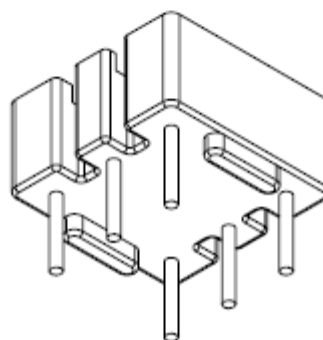
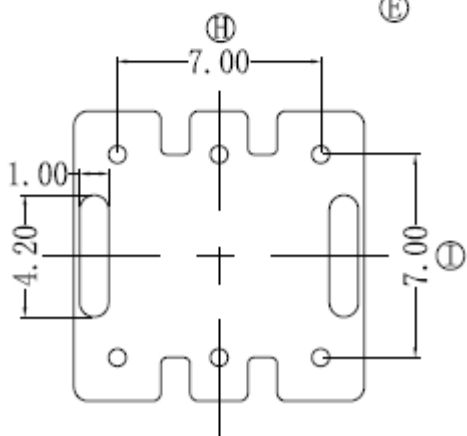
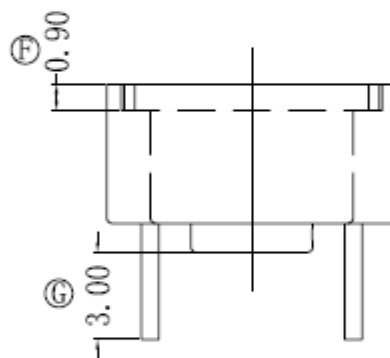
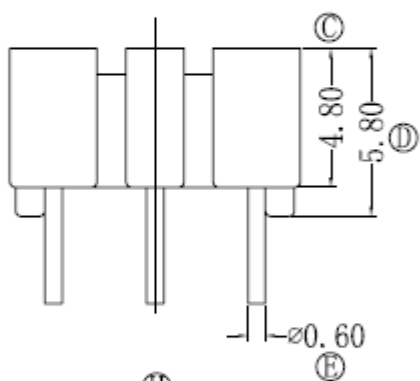
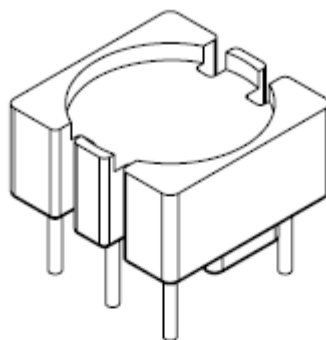
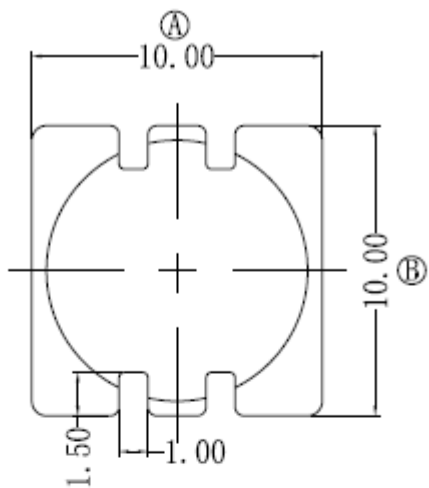
DRAFTED BY	TianXipeng	TOLERANCE		ANGLR: ±1°	MODEL NAME: BASE019 SMD	
CHECKED BY	Jack Wang	0<L≤4 ±0.1 4<L≤16 ±0.2 16<L≤63 ±0.3	Pin pitch ±0.20	UNIT:MM	MATERIAL: DAP9100	UL REC: UL 94V-0
 SHANHOM SHAANXI SHINHOM ENTERPRISE CO.,LTD TEL: 029-87851838      FAX:029-87851840 Email: sales@shinhom.com.cn				SCALE: 1/1	TERMINAL MAT:CP WIRE	PIN TENSION LOAD: 1.0 KGS MIN
					DATE: 2018.05.15	DRAWING NO:


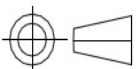


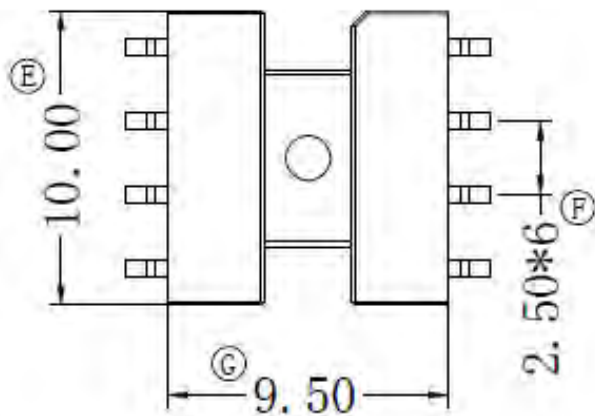
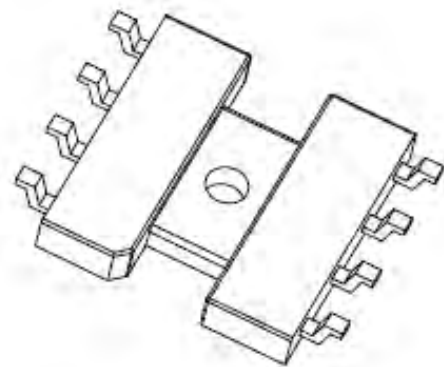
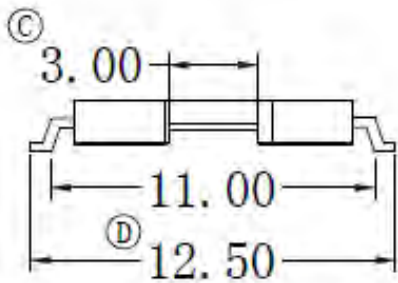
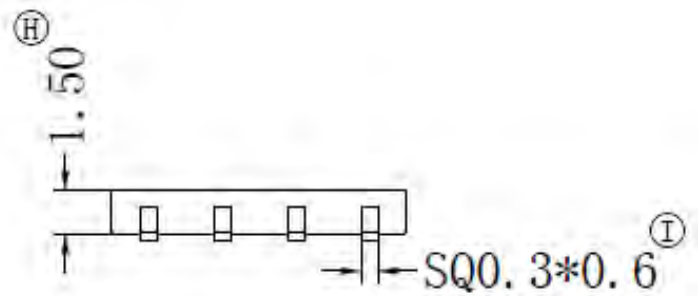
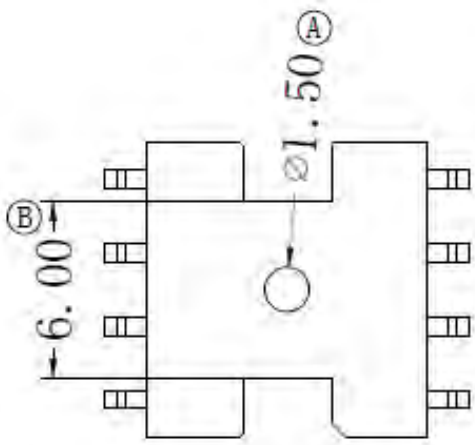
DRAFTED BY	TianXipeng	TOLERANCE		ANGLR: ±1°	MODEL NAME: BASE27*19*11 (5+5) pin	
CHECKED BY	Jack Wang	0<L≤4 ±0.1 4<L≤16 ±0.2 16<L≤63 ±0.3	Pin pitch ±0.20	UNIT:MM	MATERIAL: PHENOLIC	UL REC: UL 94V-0
 SHINHOM SHAANXI SHINHOM ENTERPRISE CO.,LTD TEL: 029-87851838 FAX:029-87851840 Email: sales@shinhom.com.cn	SCALE: 1/1	TERMINAL MAT:CP WIRE	PIN TENSION LOAD: 1.0 KGS MIN		DATE: 2015.05.15	DRAWING NO:
				REV. A		


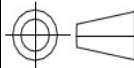


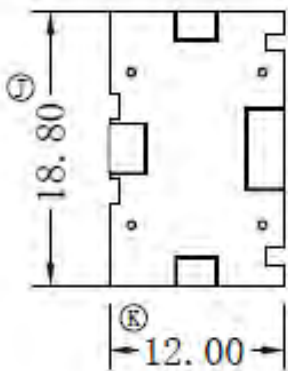
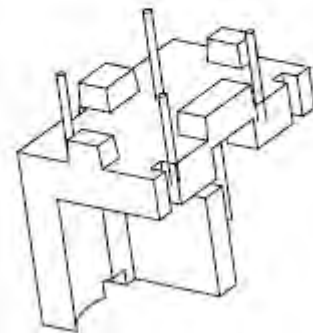
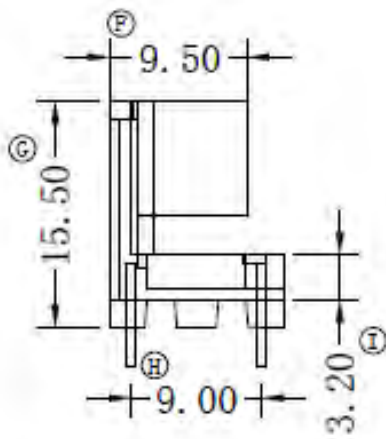
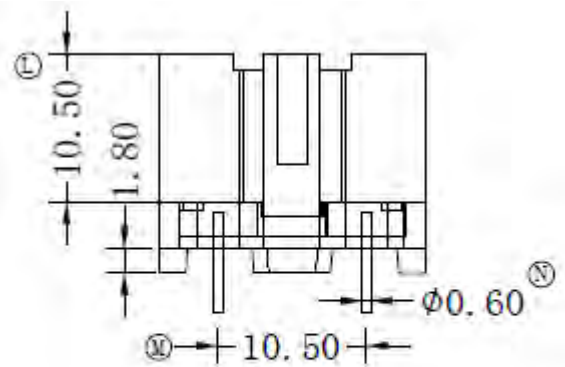
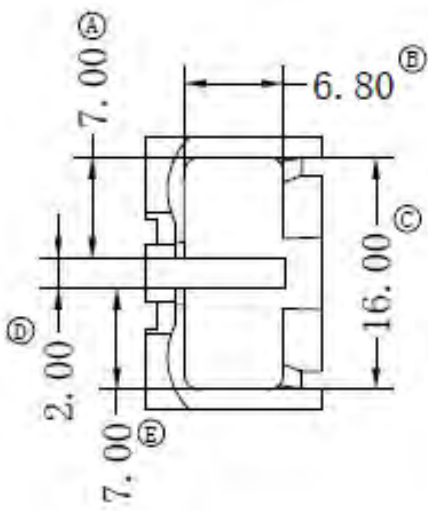
DRAFTED BY	TianXipeng	TOLERANCE		ANGLR: ±1°	MODEL NAME: T25*15*11 BASE 4P	
CHECKED BY	Jack Wang	0<L≤4 ±0.1 4<L≤16 ±0.2 16<L≤63 ±0.3	Pin pitch ±0.20	UNIT:MM	MATERIAL: PET	UL REC: UL 94V-0
 SHANHOM ENTERPRISE CO.,LTD TEL: 029-87851838 FAX:029-87851840 Email: sales@shinhom.com.cn				SCALE: 1/1	TERMINAL MAT:CP WIRE	PIN TENSION LOAD: 1.0 KGS MIN
					DATE: 2015.05.15	DRAWING NO:


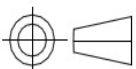


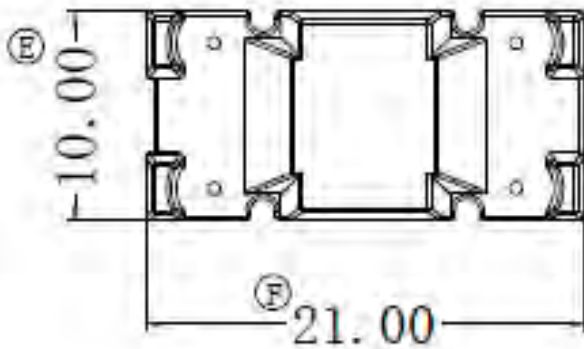
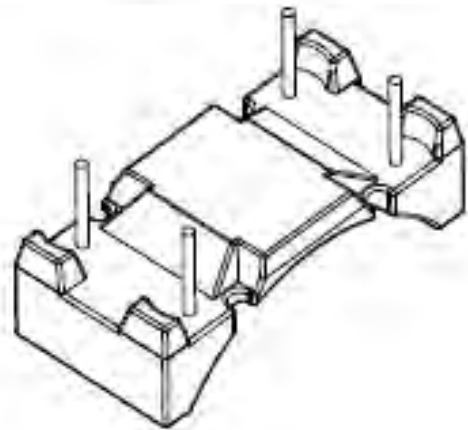
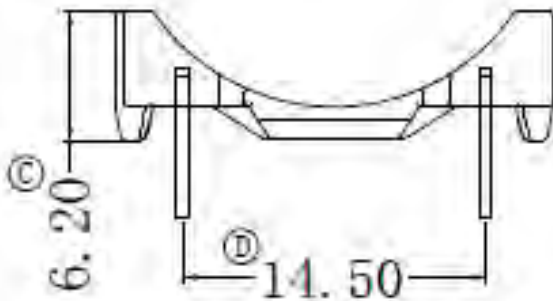
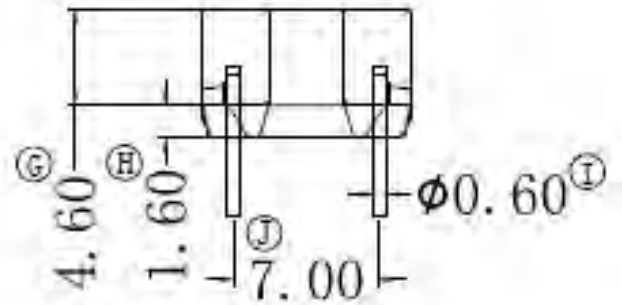
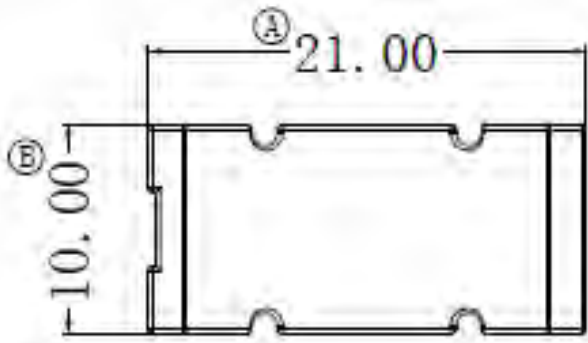
DRAFTED BY	TianXipeng	TOLERANCE		ANGLR: $\pm 1^\circ$	MODEL NAME: BASE47-6pin	
CHECKED BY	Jack Wang	$0 < L \leq 4 \pm 0.1$ $4 < L \leq 16 \pm 0.2$ $16 < L \leq 63 \pm 0.3$	Pin pitch $\pm 0.20$	UNIT:MM	MATERIAL: PHENOLIC	UL REC: UL 94V-0
 SHANHOM ENTERPRISE CO.,LTD TEL: 029-87851838      FAX:029-87851840 Email: sales@shinhom.com.cn				SCALE: 1/1	TERMINAL MAT:CP WIRE	PIN TENSION LOAD: 1.0 KGS MIN
					DATE: 2015.05.15	DRAWING NO:


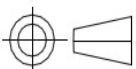


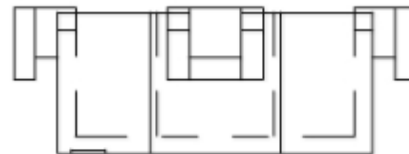
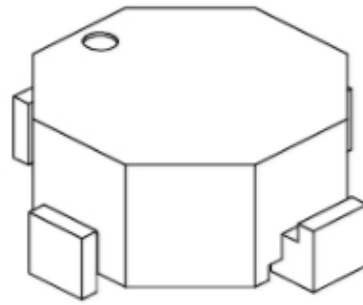
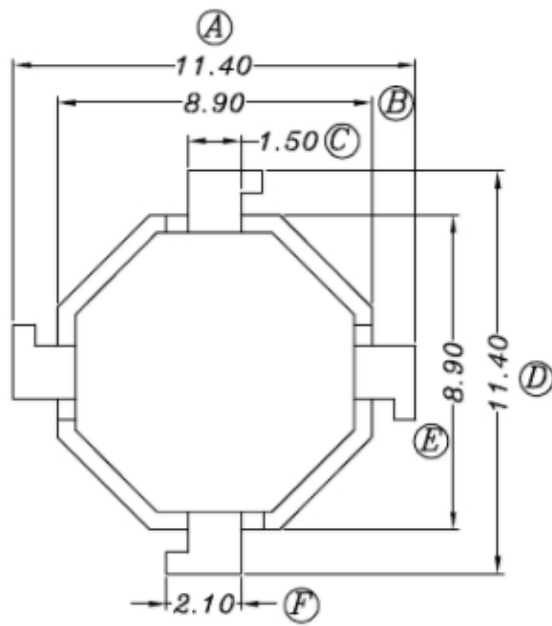
DRAFTED BY	TianXipeng	TOLERANCE		ANGLR: ±1°	MODEL NAME: BASE-04(4+4) PIN	
CHECKED BY	Jack Wang	0<L≤4 ±0.1 4<L≤16 ±0.2 16<L≤63 ±0.3	Pin pitch ±0.20	UNIT:MM	MATERIAL: PHENOLIC	UL REC: UL 94V-0
 SHANHOM ENTERPRISE CO.,LTD TEL: 029-87851838 FAX:029-87851840 Email: sales@shinhom.com.cn				SCALE: 1/1	TERMINAL MAT:CP WIRE	PIN TENSION LOAD: 1.0 KGS MIN
					DATE: 2018.05	DRAWING NO:


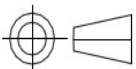


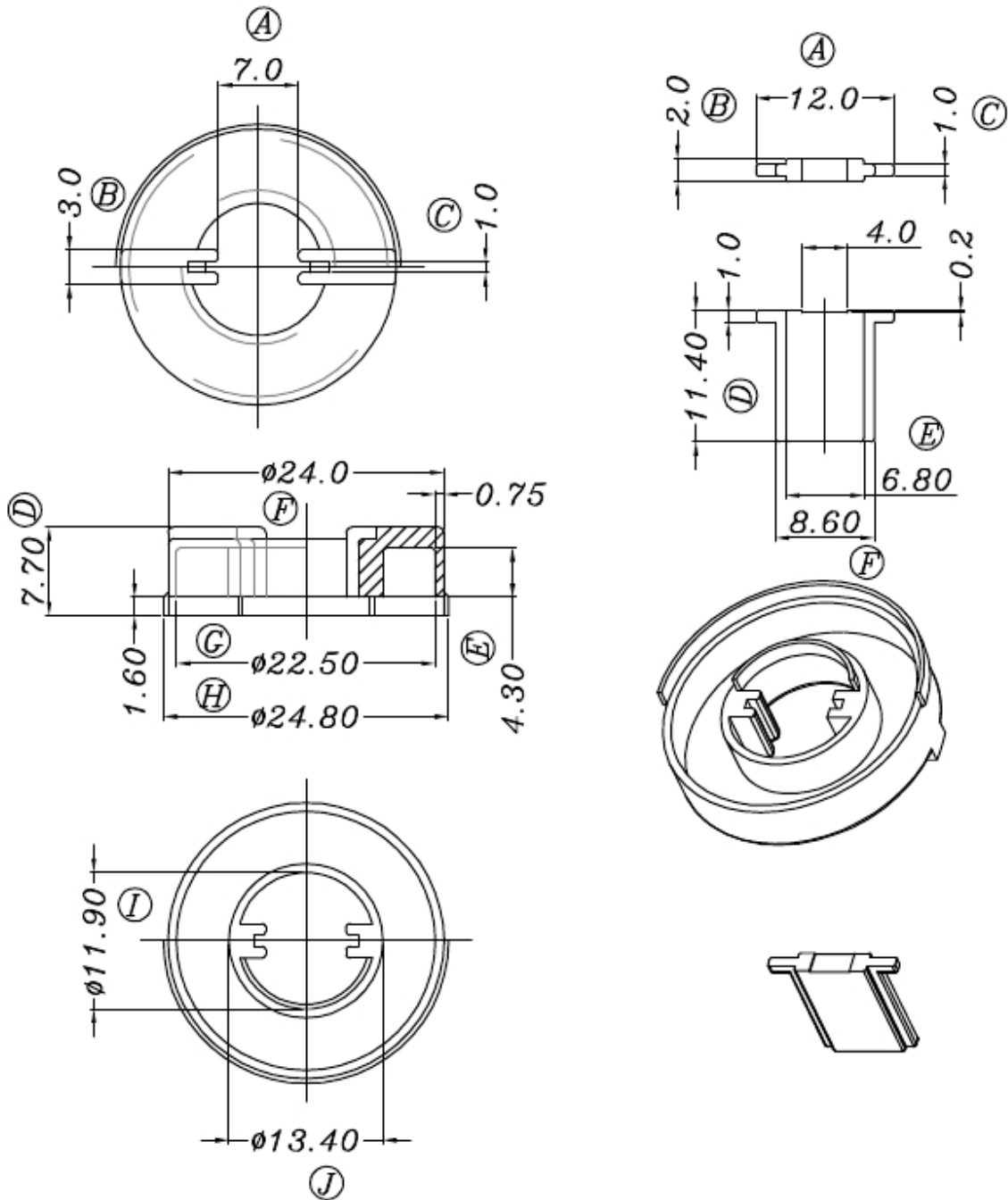
DRAFTED BY	TianXipeng	TOLERANCE		ANGLR: ±1°	MODEL NAME: BASE-056 SQ-15 (2+2) PIN		
CHECKED BY	Jack Wang	0<L≤4 ±0.1 4<L≤16 ±0.2 16<L≤63 ±0.3	Pin pitch ±0.20	UNIT:MM	MATERIAL: PHENOLIC	UL REC: UL 94V-0	
 SHANHOM ENTERPRISE CO.,LTD TEL: 029-87851838 FAX:029-87851840 Email: sales@shinhom.com.cn				SCALE: 1/1	TERMINAL MAT:CP WIRE	PIN TENSION LOAD: 1.0 KGS MIN	
					DATE: 2018.05	DRAWING NO:	REV. A


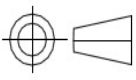


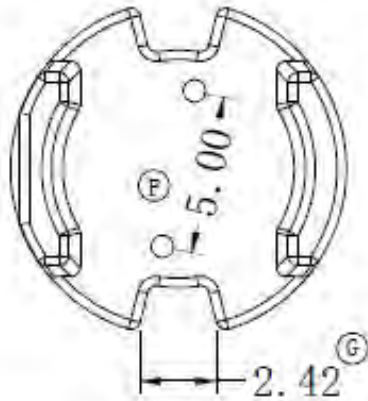
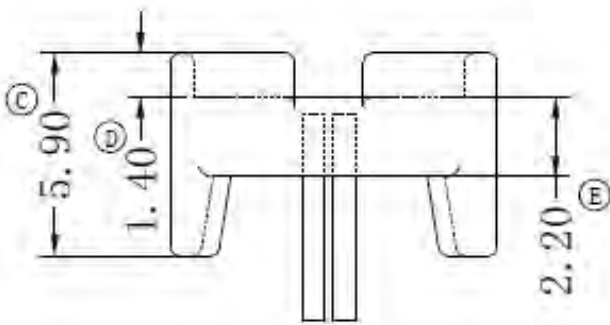
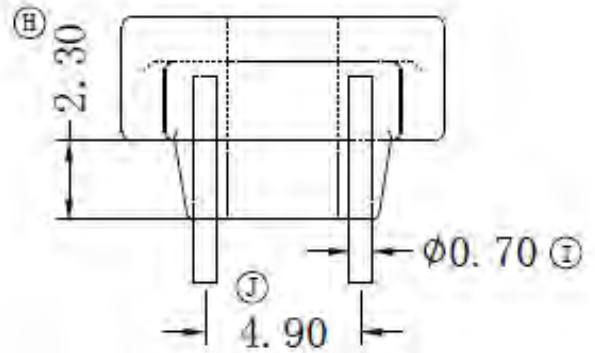
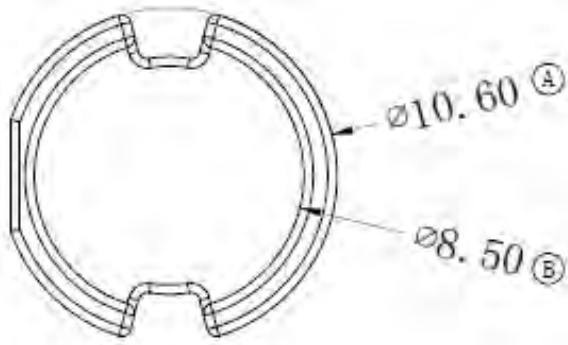
DRAFTED BY	TianXipeng	TOLERANCE		ANGLR: $\pm 1^\circ$	MODEL NAME: BASE-05 (2+2) PIN		
CHECKED BY	Jack Wang	0<L≤4 ±0.1 4<L≤16 ±0.2 16<L≤63 ±0.3	Pin pitch ±0.20	UNIT:MM	MATERIAL: PHENOLIC	UL REC: UL 94V-0	
 SHANHOM ENTERPRISE CO.,LTD TEL: 029-87851838 FAX:029-87851840 Email: sales@shinhom.com.cn				SCALE: 1/1	TERMINAL MAT:CP WIRE	PIN TENSION LOAD: 1.0 KGS MIN	
					DATE: 2018.05	DRAWING NO:	REV. A


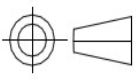


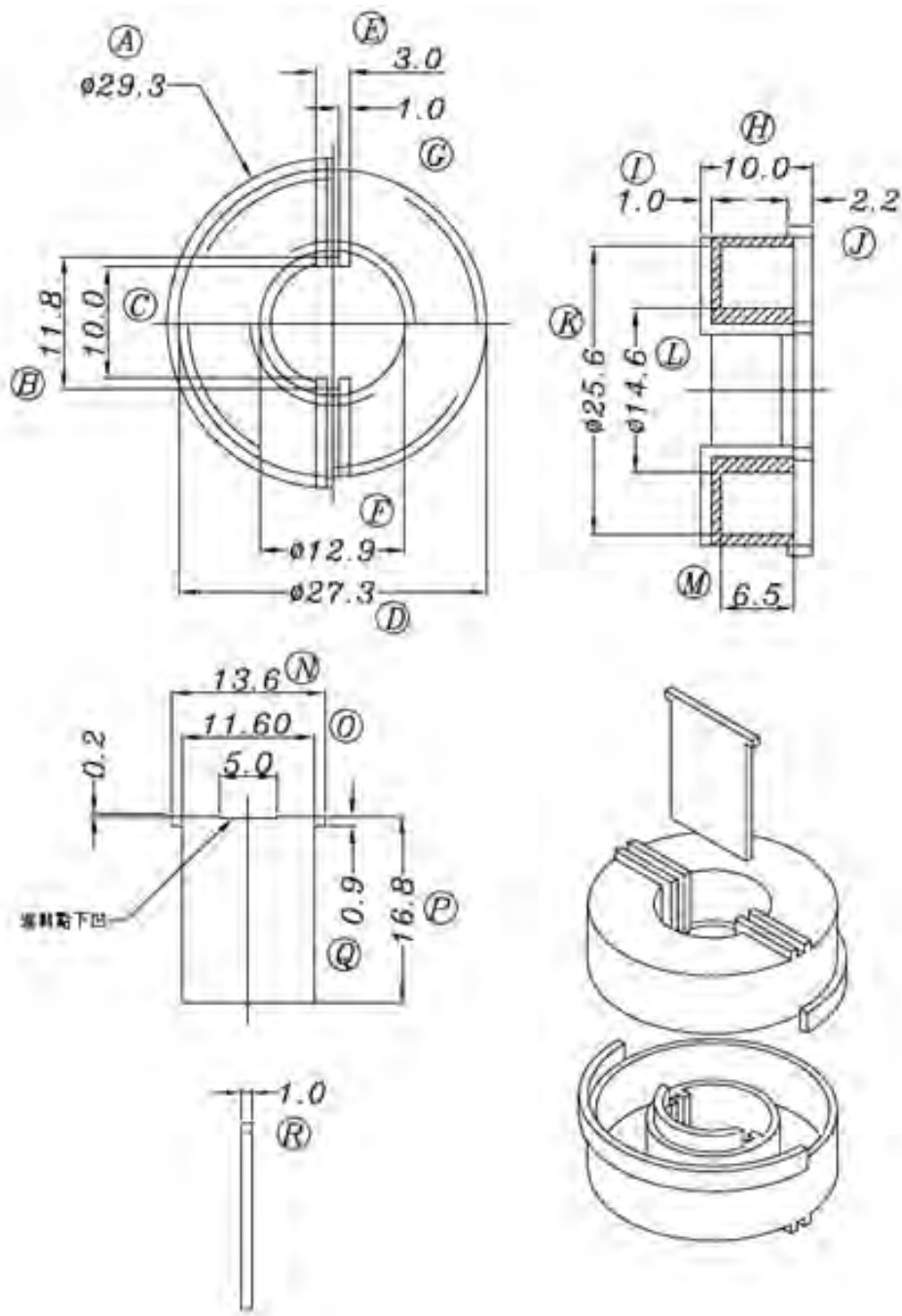
DRAFTED BY	TianXipeng	TOLERANCE		ANGLR: ±1°	MODEL NAME: T22*14*8 BASE 4P	
CHECKED BY	Jack Wang	0<L≤4 ±0.1 4<L≤16 ±0.2 16<L≤63 ±0.3	Pin pitch ±0.20	UNIT:MM	MATERIAL: PET	UL REC: UL 94V-0
 SHANHOM SHAANXI SHINHOM ENTERPRISE CO.,LTD TEL: 029-87851838      FAX:029-87851840 Email: sales@shinhom.com.cn				SCALE: 1/1	TERMINAL MAT:CP WIRE	PIN TENSION LOAD: 1.0 KGS MIN
					DATE: 2015.05.15	DRAWING NO:


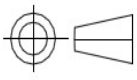


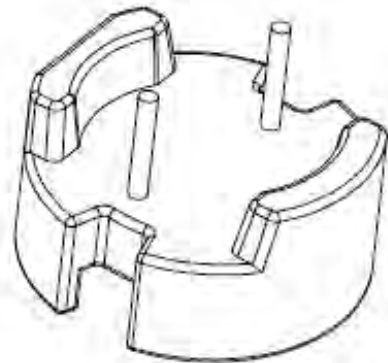
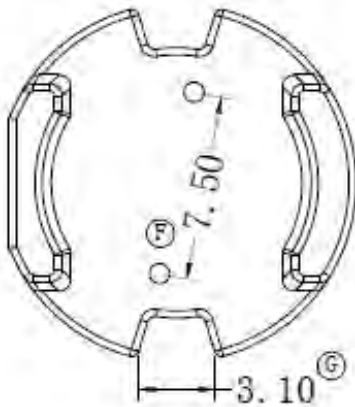
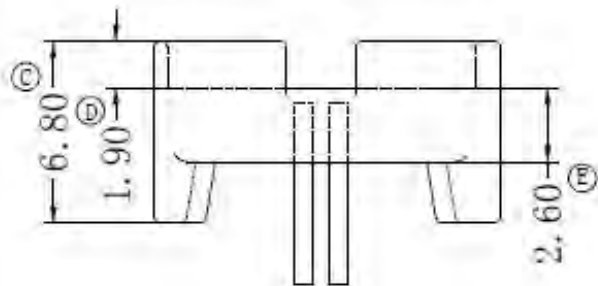
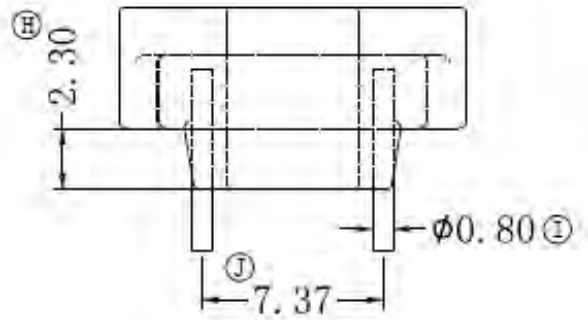
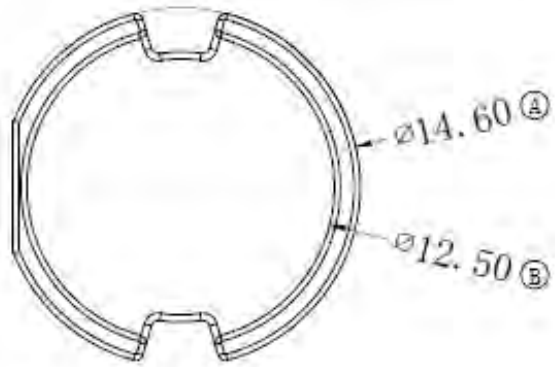
DRAFTED BY	TianXipeng	TOLERANCE		ANGLR: $\pm 1^\circ$	MODEL NAME: T22*14*8 BASE 4P	
CHECKED BY	Jack Wang	$0 < L \leq 4 \pm 0.1$ $4 < L \leq 16 \pm 0.2$ $16 < L \leq 63 \pm 0.3$	Pin pitch $\pm 0.20$	UNIT:MM	MATERIAL: PET	UL REC: UL 94V-0
 SHANHOM SHAANXI SHINHOM ENTERPRISE CO.,LTD TEL: 029-87851838      FAX:029-87851840 Email: sales@shinhom.com.cn				SCALE: 1/1	TERMINAL MAT:CP WIRE	PIN TENSION LOAD: 1.0 KGS MIN
					DATE: 2015.05.15	DRAWING NO:


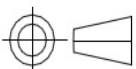


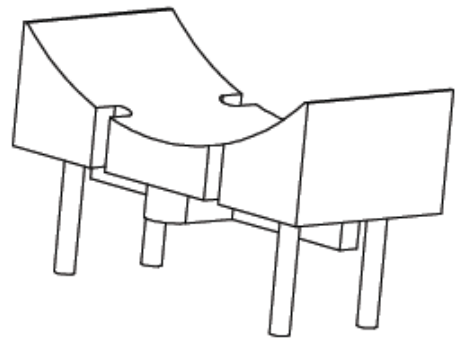
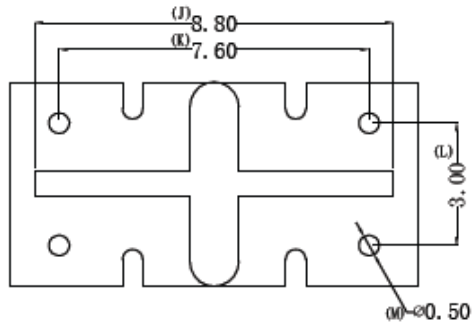
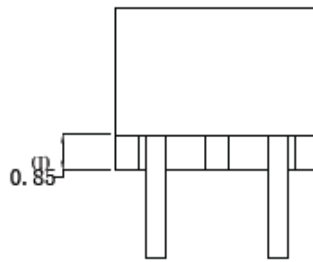
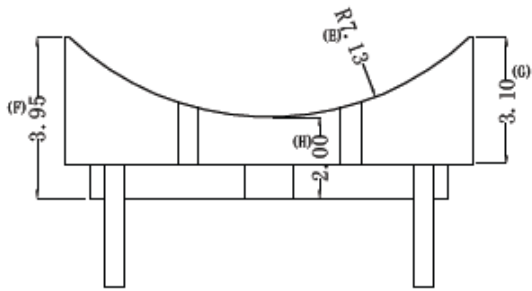
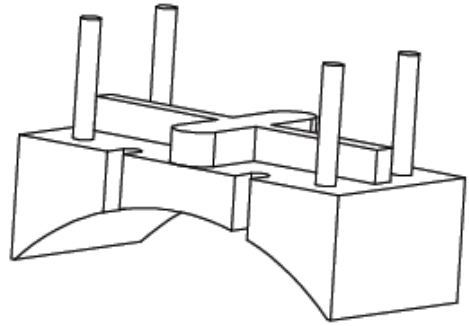
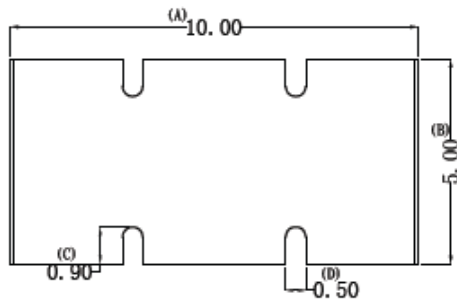
DRAFTED BY	TianXipeng	TOLERANCE		ANGLR: ±1°	MODEL NAME: BASE-06 工字 8*10(1+1) PIN		
CHECKED BY	Jack Wang	0<L≤4 ±0.1 4<L≤16 ±0.2 16<L≤63 ±0.3	Pin pitch ±0.20	UNIT:MM	MATERIAL: PHENOLIC	UL REC: UL 94V-0	
 SHANHOM SHAANXI SHINHOM ENTERPRISE CO.,LTD TEL: 029-87851838      FAX:029-87851840 Email: sales@shinhom.com.cn				SCALE: 1/1	TERMINAL MAT:CP WIRE	PIN TENSION LOAD: 1.0 KGS MIN	
					DATE: 2018.05	DRAWING NO:	REV. A


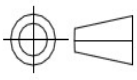


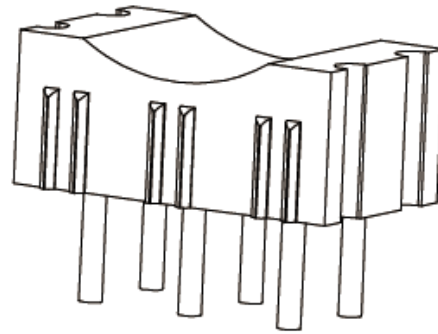
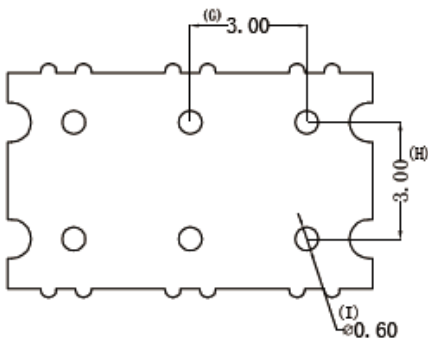
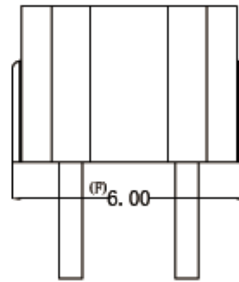
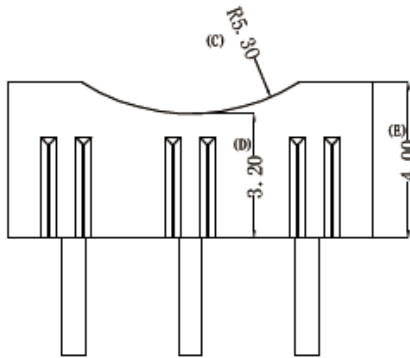
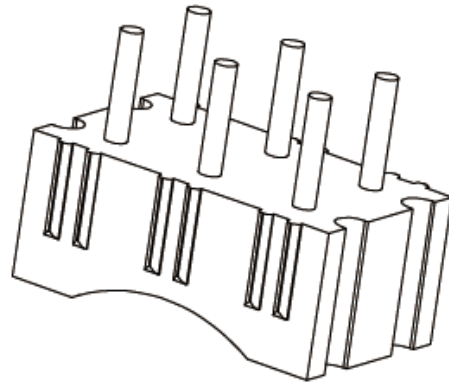
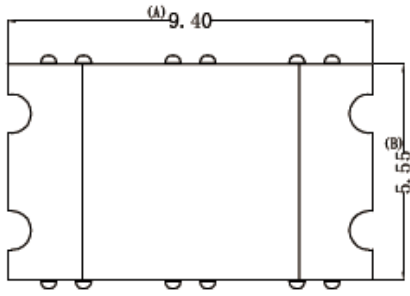
DRAFTED BY	TianXipeng	TOLERANCE		ANGLR: ±1°	MODEL NAME: T25*15*13 CROVER	
CHECKED BY	Jack Wang	0<L≤4 ±0.1 4<L≤16 ±0.2 16<L≤63 ±0.3	Pin pitch ±0.20	UNIT:MM	MATERIAL: PBT	UL REC: UL 94V-0
 SHANHOM SHAANXI SHINHOM ENTERPRISE CO.,LTD TEL: 029-87851838      FAX:029-87851840 Email: sales@shinhom.com.cn				SCALE: 1/1	TERMINAL MAT:CP WIRE	PIN TENSION LOAD: 1.0 KGS MIN
					DATE: 2015.05.15	DRAWING NO:


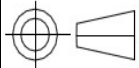


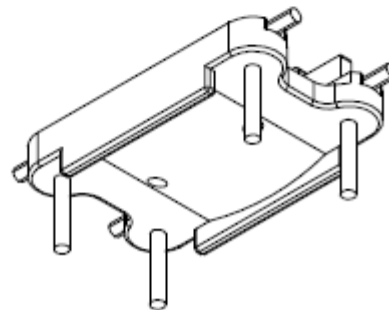
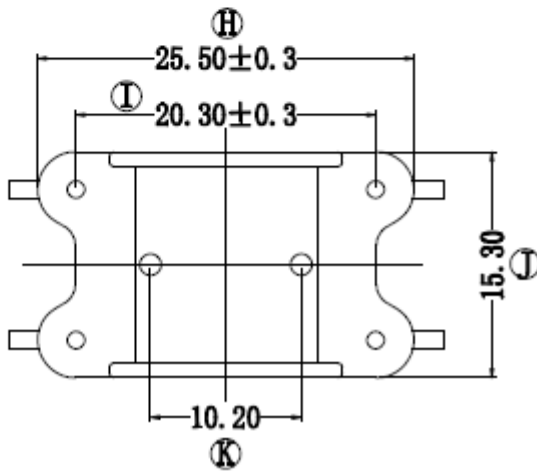
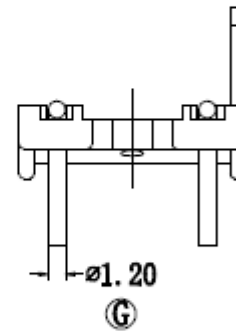
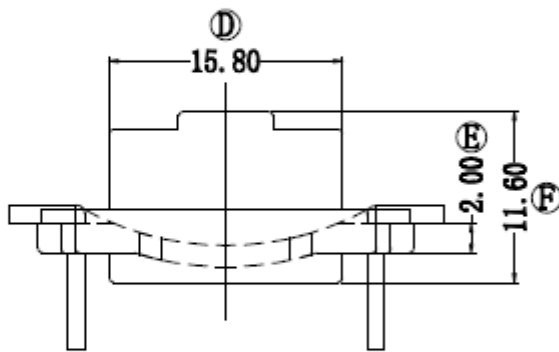
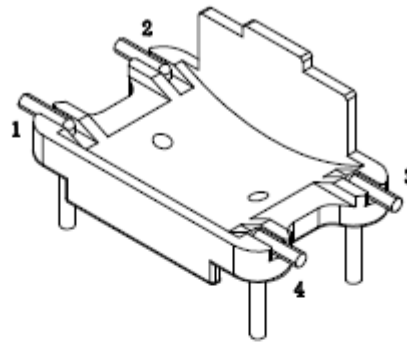
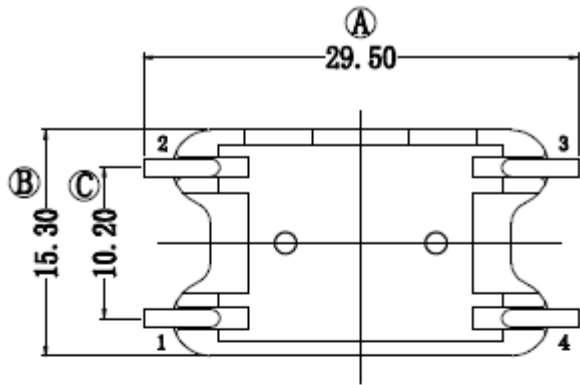
DRAFTED BY	TianXipeng	TOLERANCE		ANGLR: ±1°	MODEL NAME: BASE-07 工字 12*14 (1+1) PIN		
CHECKED BY	Jack Wang	0<L≤4 ±0.1 4<L≤16 ±0.2 16<L≤63 ±0.3	Pin pitch ±0.20	UNIT:MM	MATERIAL: PHENOLIC	UL REC: UL 94V-0	
 SHANHOM SHAANXI SHINHOM ENTERPRISE CO.,LTD TEL: 029-87851838      FAX:029-87851840 Email: sales@shinhom.com.cn				SCALE: 1/1	TERMINAL MAT:CP WIRE	PIN TENSION LOAD: 1.0 KGS MIN	
					DATE: 2018.05	DRAWING NO:	REV. A


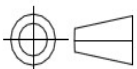


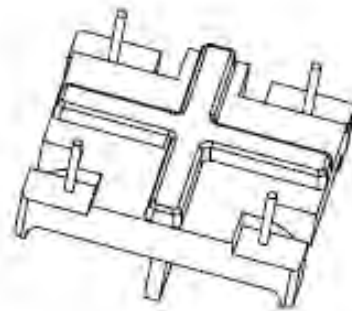
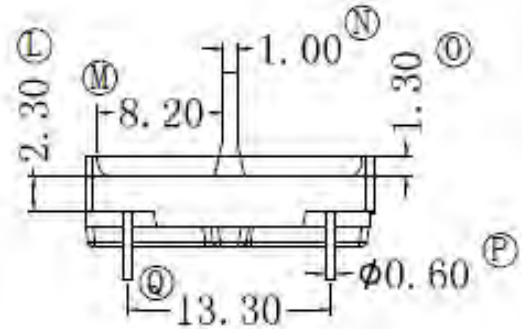
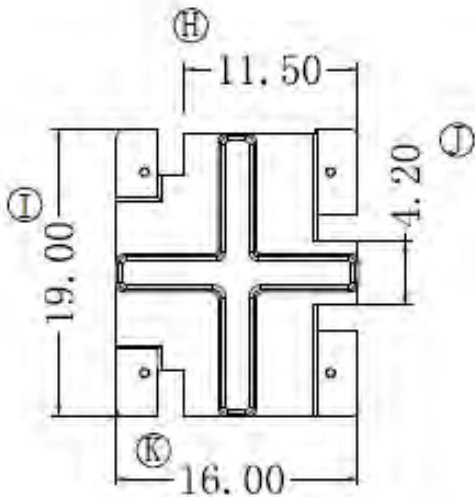
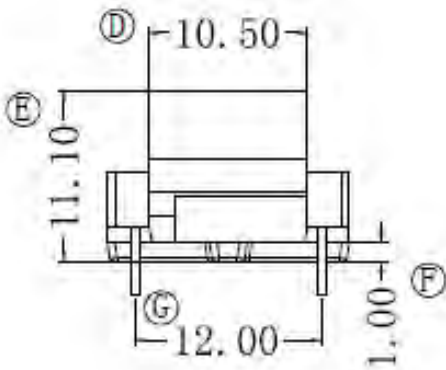
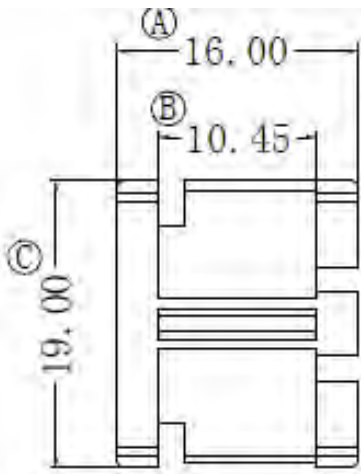
DRAFTED BY	TianXipeng	TOLERANCE		ANGLR: ±1°	MODEL NAME: BASE1001-4pin	
CHECKED BY	Jack Wang	0<L≤4 ±0.1 4<L≤16 ±0.2 16<L≤63 ±0.3	Pin pitch ±0.20	UNIT:MM	MATERIAL: PHENOLIC	UL REC: UL 94V-0
 SHANHOM ENTERPRISE CO.,LTD TEL: 029-87851838 FAX:029-87851840 Email: sales@shinhom.com.cn				SCALE: 1/1	TERMINAL MAT:CP WIRE	PIN TENSION LOAD: 1.0 KGS MIN
					DATE: 2015.05.15	DRAWING NO:


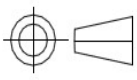


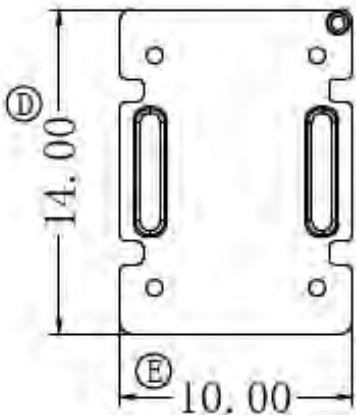
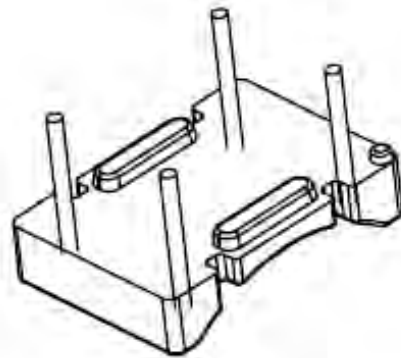
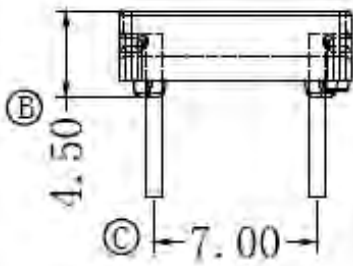
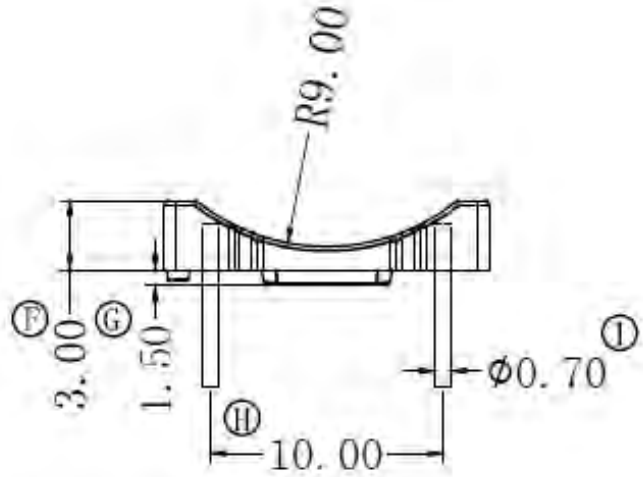
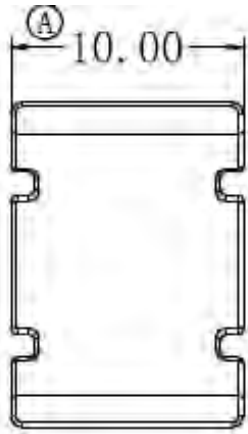
DRAFTED BY	TianXipeng	TOLERANCE		ANGLR: ±1°	MODEL NAME: BASE1002-6pin	
CHECKED BY	Jack Wang	0<L≤4 ±0.1 4<L≤16 ±0.2 16<L≤63 ±0.3	Pin pitch ±0.20	UNIT:MM	MATERIAL: PHENOLIC	UL REC: UL 94V-0
 SHANHOM SHAANXI SHINHOM ENTERPRISE CO.,LTD TEL: 029-87851838      FAX:029-87851840 Email: sales@shinhom.com.cn				SCALE: 1/1	TERMINAL MAT:CP WIRE	PIN TENSION LOAD: 1.0 KGS MIN
					DATE: 2015.05.15	DRAWING NO:


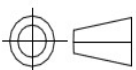


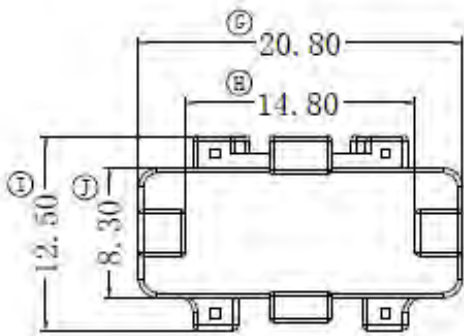
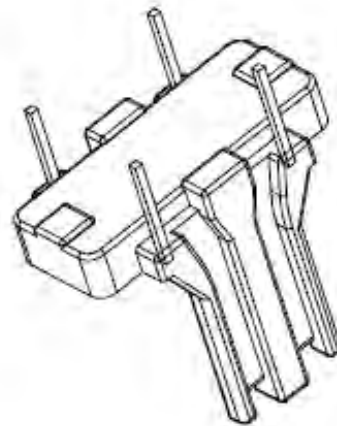
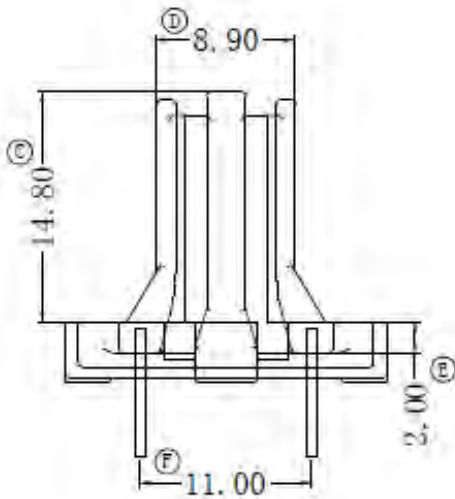
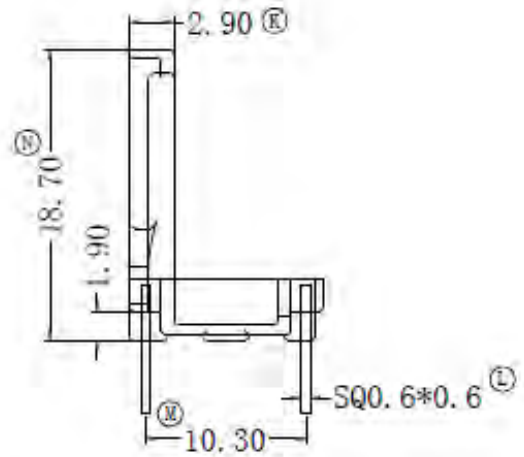
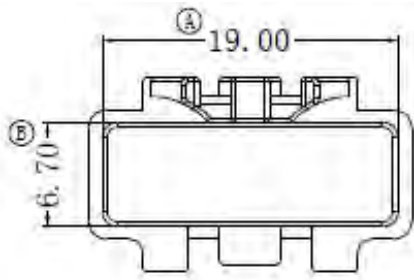
DRAFTED BY	TianXipeng	TOLERANCE		ANGLR: ±1°	MODEL NAME: T25*15*11 BASE 4P	
CHECKED BY	Jack Wang	0<L≤4 ±0.1 4<L≤16 ±0.2 16<L≤63 ±0.3	Pin pitch ±0.20	UNIT:MM	MATERIAL: PBT4830	UL REC: UL 94V-0
 SHANHOM SHAANXI SHINHOM ENTERPRISE CO.,LTD TEL: 029-87851838      FAX:029-87851840 Email: sales@shinhom.com.cn				SCALE: 1/1	TERMINAL MAT:CP WIRE	PIN TENSION LOAD: 1.0 KGS MIN
					DATE: 2015.05.15	DRAWING NO:


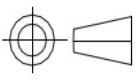


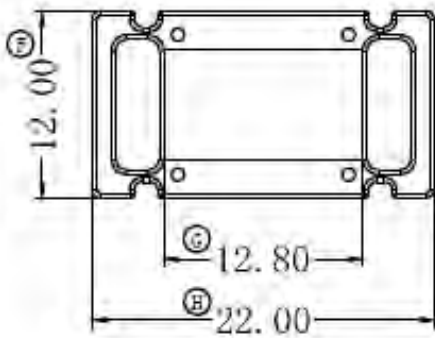
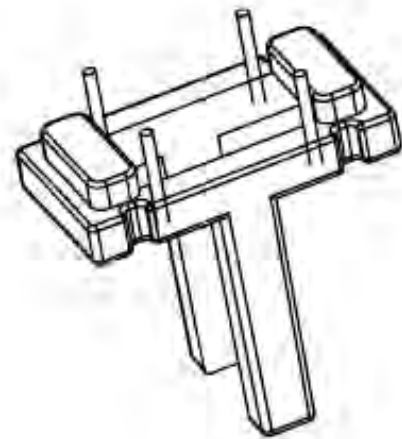
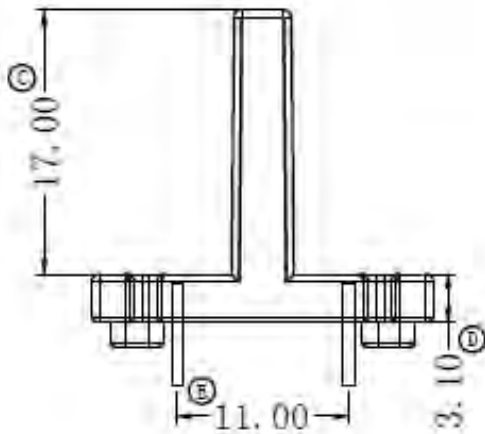
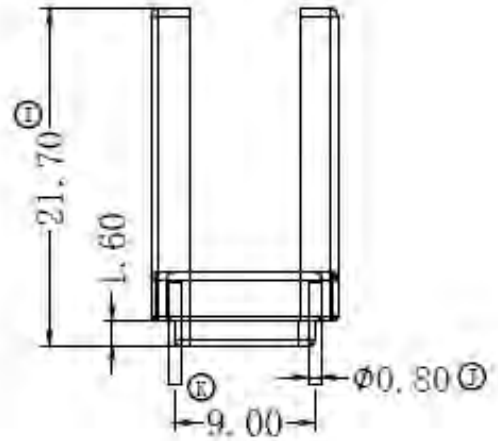
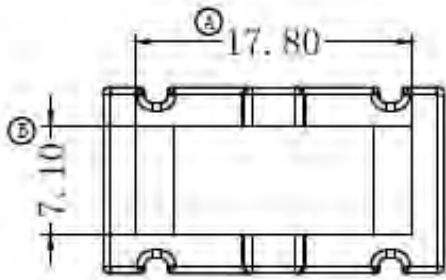
DRAFTED BY	TianXipeng	TOLERANCE		ANGLR: ±1°	MODEL NAME: BASE-1501 SQ-15 (2+2) PIN		
CHECKED BY	Jack Wang	0<L≤4 ±0.1 4<L≤16 ±0.2 16<L≤63 ±0.3	Pin pitch ±0.20	UNIT:MM	MATERIAL: PHENOLIC	UL REC: UL 94V-0	
 SHANHOM ENTERPRISE CO.,LTD TEL: 029-87851838 FAX:029-87851840 Email: sales@shinhom.com.cn				SCALE: 1/1	TERMINAL MAT:CP WIRE	PIN TENSION LOAD: 1.0 KGS MIN	
					DATE: 2018.05	DRAWING NO:	REV. A


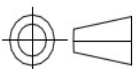


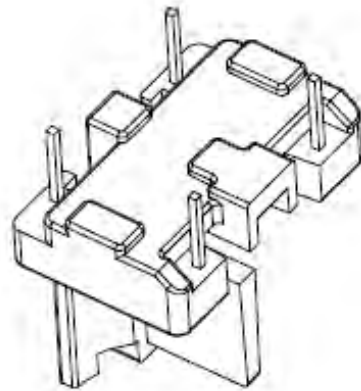
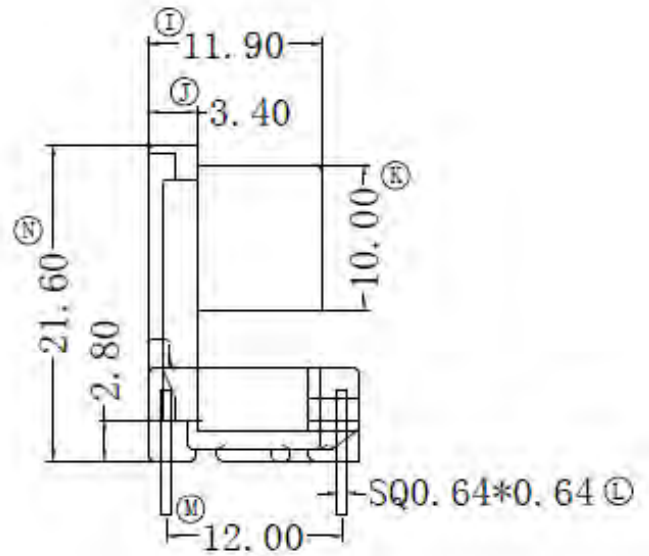
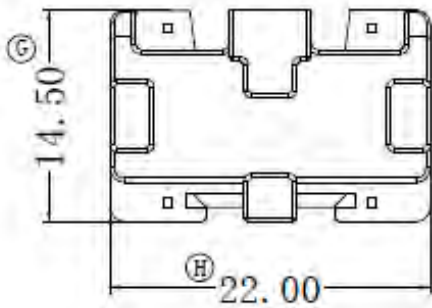
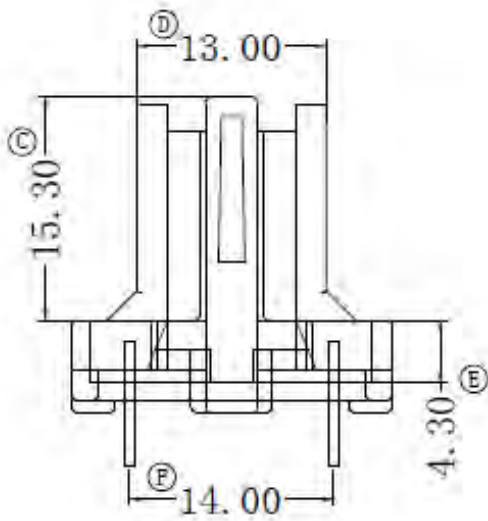
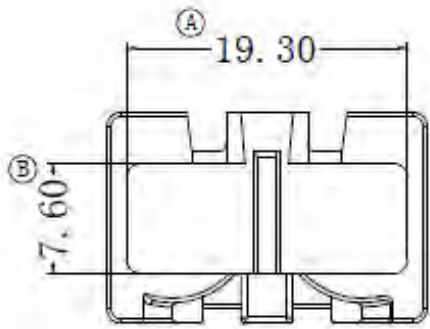
DRAFTED BY	TianXipeng	TOLERANCE		ANGLR: ±1°	MODEL NAME: BASE-1810 10*10 (2+2) PIN	
CHECKED BY	Jack Wang	0<L≤4 ±0.1 4<L≤16 ±0.2 16<L≤63 ±0.3	Pin pitch ±0.20	UNIT:MM	MATERIAL: PHENOLIC	UL REC: UL 94V-0
 SHANHOM ENTERPRISE CO.,LTD TEL: 029-87851838 FAX:029-87851840 Email: sales@shinhom.com.cn				SCALE: 1/1	TERMINAL MAT:CP WIRE	PIN TENSION LOAD: 1.0 KGS MIN
					DATE: 2018.05	DRAWING NO:


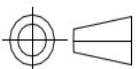


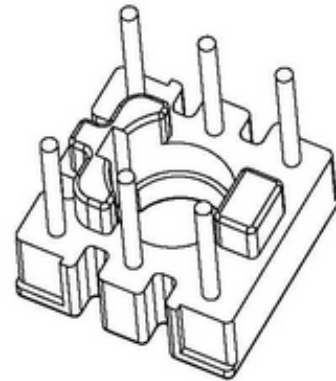
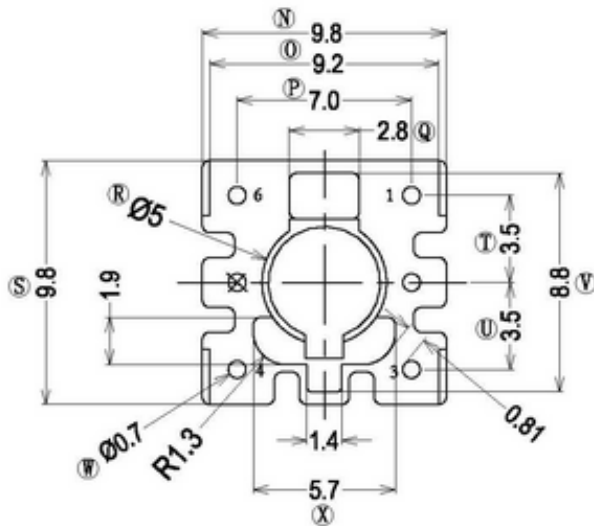
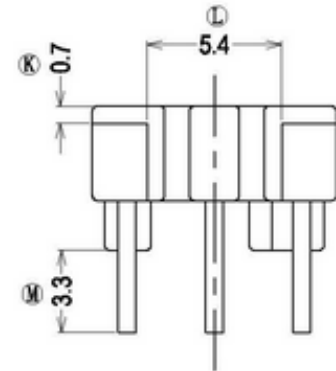
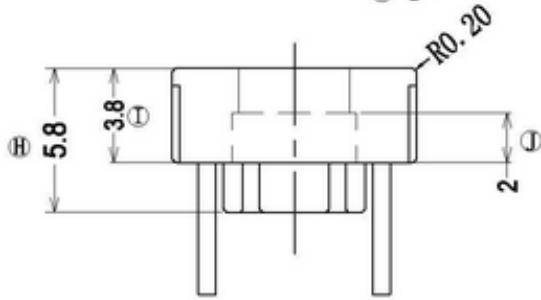
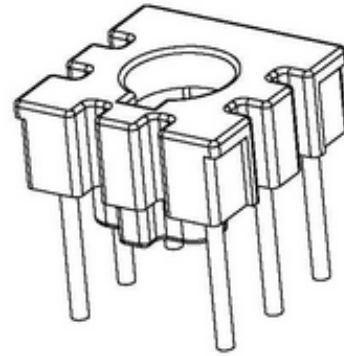
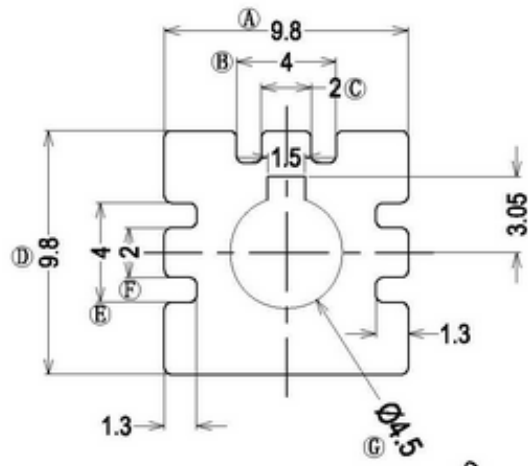
DRAFTED BY	TianXipeng	TOLERANCE		ANGLR: ±1°	MODEL NAME: BASE-1901 (2+2) PIN		
CHECKED BY	Jack Wang	0<L≤4 ±0.1 4<L≤16 ±0.2 16<L≤63 ±0.3	Pin pitch ±0.20	UNIT:MM	MATERIAL: PHENOLIC	UL REC: UL 94V-0	
 SHANHOM SHAANXI SHINHOM ENTERPRISE CO.,LTD TEL: 029-87851838      FAX:029-87851840 Email: sales@shinhom.com.cn				SCALE: 1/1	TERMINAL MAT:CP WIRE	PIN TENSION LOAD: 1.0 KGS MIN	
					DATE: 2018.05	DRAWING NO:	REV. A


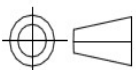


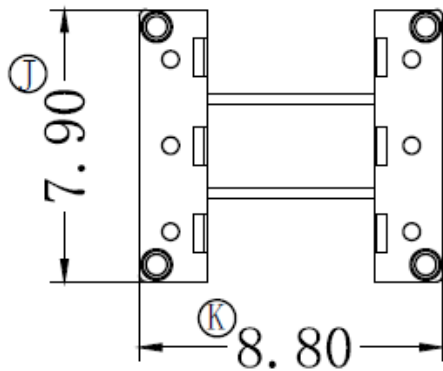
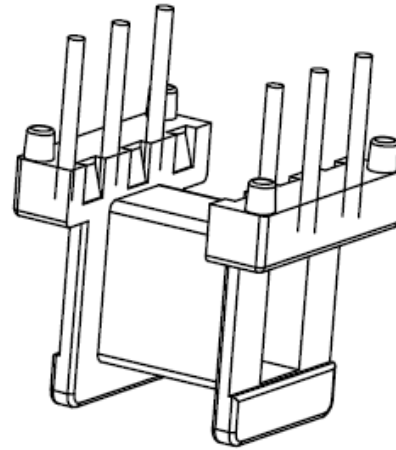
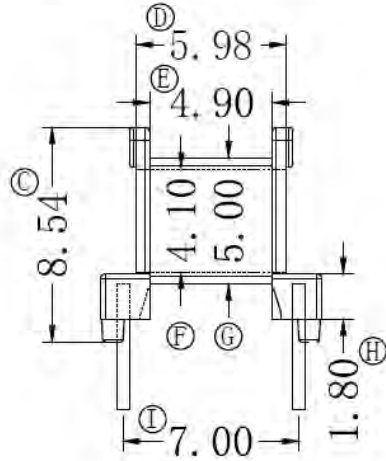
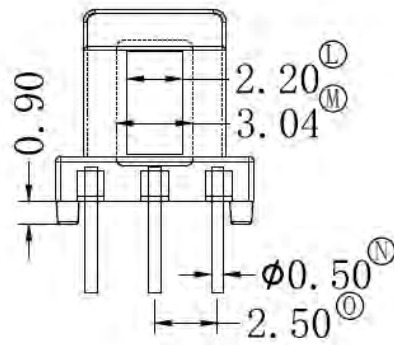
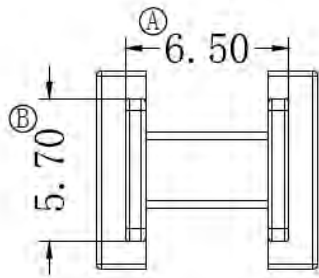
DRAFTED BY	TianXipeng	TOLERANCE		ANGLR: ±1°	MODEL NAME: BASE-2017 (2+2) PIN		
CHECKED BY	Jack Wang	0<L≤4 ±0.1 4<L≤16 ±0.2 16<L≤63 ±0.3	Pin pitch ±0.20	UNIT:MM	MATERIAL: PHENOLIC	UL REC: UL 94V-0	
 SHANHOM SHAANXI SHINHOM ENTERPRISE CO.,LTD TEL: 029-87851838      FAX:029-87851840 Email: sales@shinhom.com.cn				SCALE: 1/1	TERMINAL MAT:CP WIRE	PIN TENSION LOAD: 1.0 KGS MIN	
					DATE: 2018.05	DRAWING NO:	REV. A


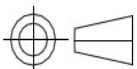


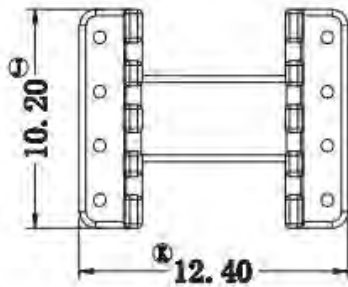
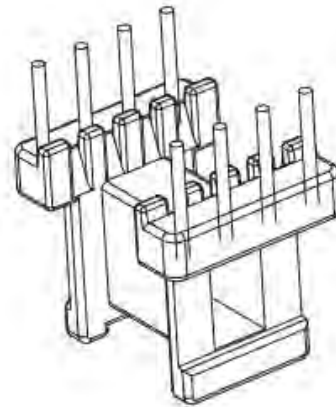
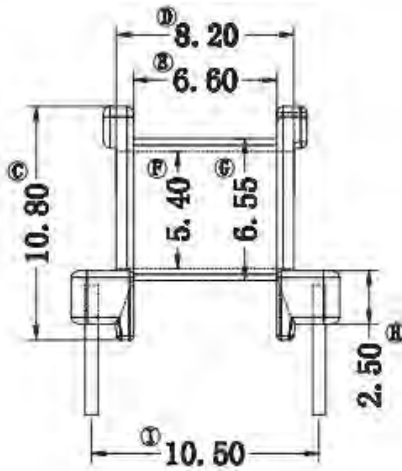
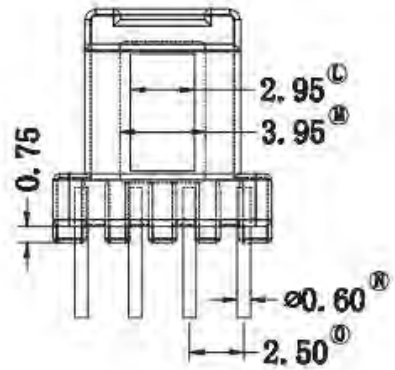
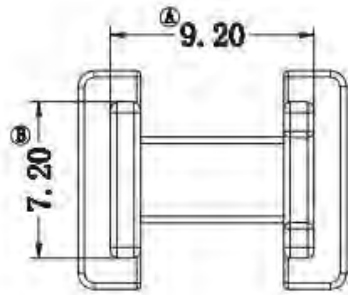
DRAFTED BY	TianXipeng	TOLERANCE		ANGLR: ±1°	MODEL NAME: BASE-2301(2+2) PIN		
CHECKED BY	Jack Wang	0<L≤4 ±0.1 4<L≤16 ±0.2 16<L≤63 ±0.3	Pin pitch ±0.20	UNIT:MM	MATERIAL: PHENOLIC	UL REC: UL 94V-0	
 SHANHOM ENTERPRISE CO.,LTD TEL: 029-87851838 FAX:029-87851840 Email: sales@shinhom.com.cn				SCALE: 1/1	TERMINAL MAT:CP WIRE	PIN TENSION LOAD: 1.0 KGS MIN	
					DATE: 2018.05	DRAWING NO:	REV. A


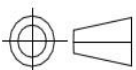


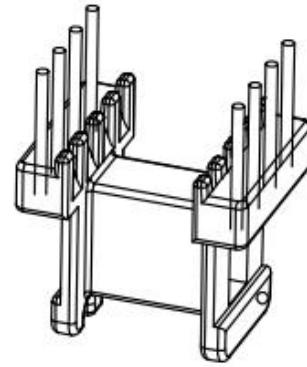
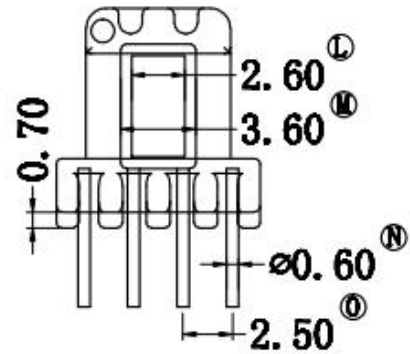
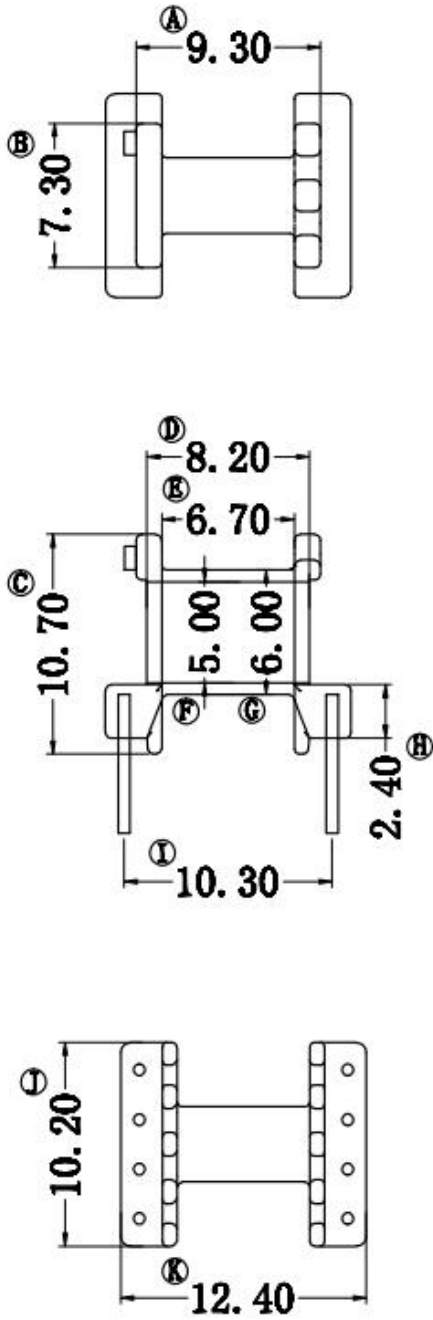
DRAFTED BY	TianXipeng	TOLERANCE		ANGLR: ±1°	MODEL NAME: BASE K156-6pin	
CHECKED BY	Jack Wang	0<L≤4 ±0.1 4<L≤16 ±0.2 16<L≤63 ±0.3	Pin pitch ±0.20	UNIT:MM	MATERIAL: PHENOLIC	UL REC: UL 94V-0
 SHAANXI SHINHOM ENTERPRISE CO.,LTD TEL: 029-87851838      FAX:029-87851840 Email: sales@shinhom.com.cn				SCALE: 1/1	TERMINAL MAT:CP WIRE	PIN TENSION LOAD: 1.0 KGS MIN
					DATE: 2015.05.15	DRAWING NO:


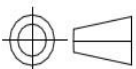


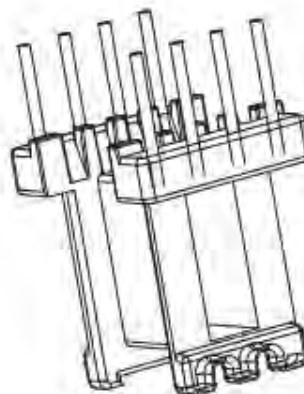
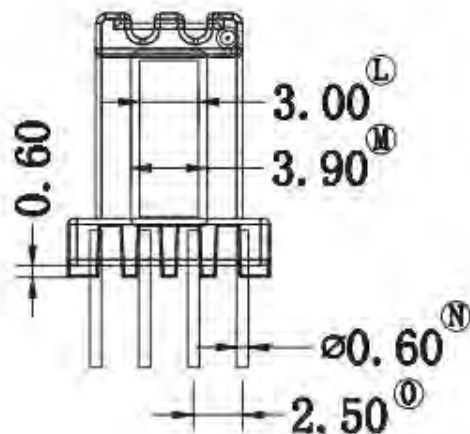
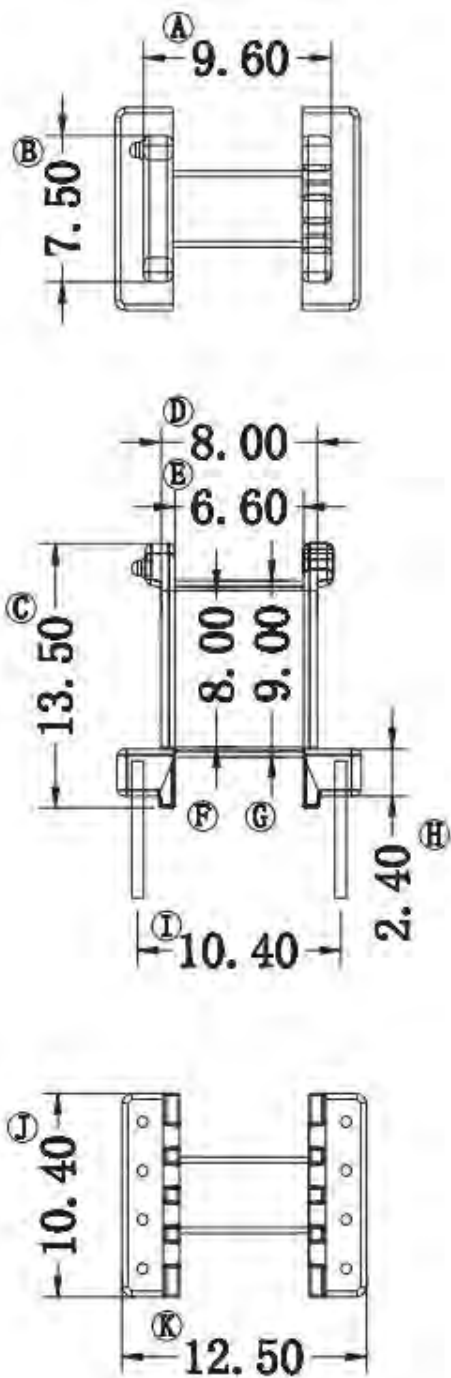
DRAFTED BY	TianXipeng	TOLERANCE		ANGLR: $\pm 1^\circ$	MODEL NAME: EE-0804 H (3+3) PIN	
CHECKED BY	Jack Wang	0<L≤4 ±0.1 4<L≤16 ±0.2 16<L≤63 ±0.3	Pin pitch ±0.20	UNIT:MM	MATERIAL: PHENOLIC	UL REC: UL 94V-0
 SHANHOM SHAANXI SHINHOM ENTERPRISE CO.,LTD TEL: 029-87851838      FAX:029-87851840 Email: sales@shinhom.com.cn				SCALE: 1/1	TERMINAL MAT:CP WIRE	PIN TENSION LOAD: 1.0 KGS MIN
					DATE: 2009.05.15	DRAWING NO:


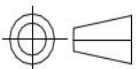


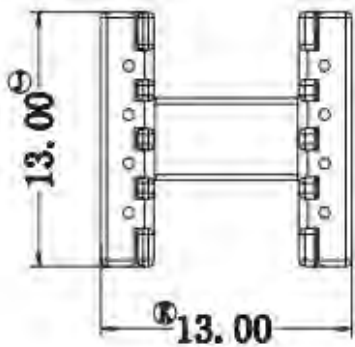
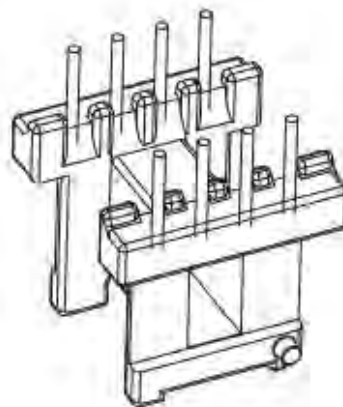
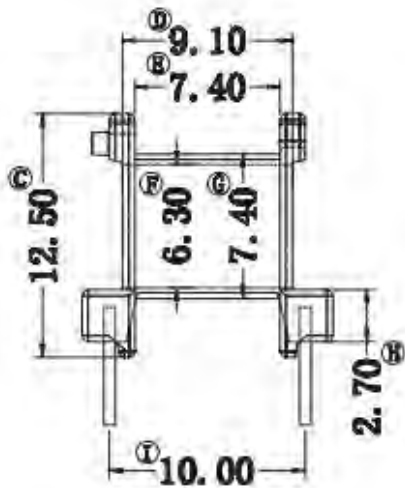
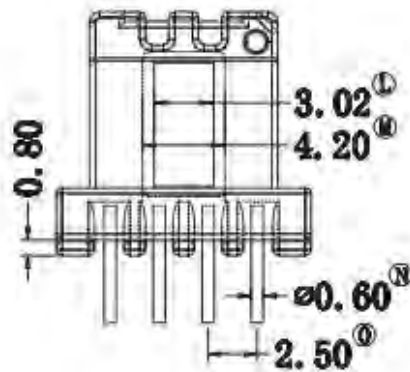
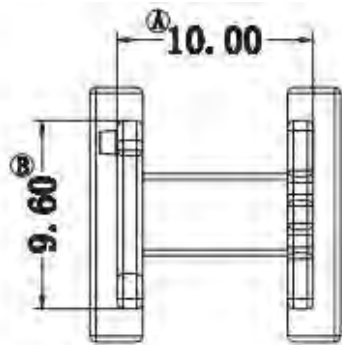
DRAFTED BY	TianXipeng	TOLERANCE		ANGLR: ±1°	MODEL NAME: EE-10H(4+4) PIN		
CHECKED BY	Jack Wang	0<L≤4 ±0.1 4<L≤16 ±0.2 16<L≤63 ±0.3	Pin pitch ±0.20	UNIT:MM	MATERIAL: PHENOLIC	UL REC: UL 94V-0	
 SHANHOM ENTERPRISE CO.,LTD TEL: 029-87851838 FAX:029-87851840 Email: sales@shinhom.com.cn				SCALE: 1/1	TERMINAL MAT:CP WIRE	PIN TENSION LOAD: 1.0 KGS MIN	
					DATE: 2009.05.15	DRAWING NO:	REV. A


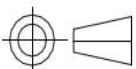


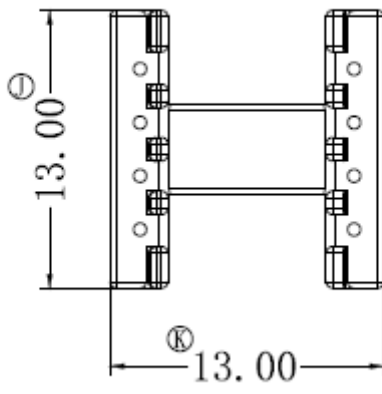
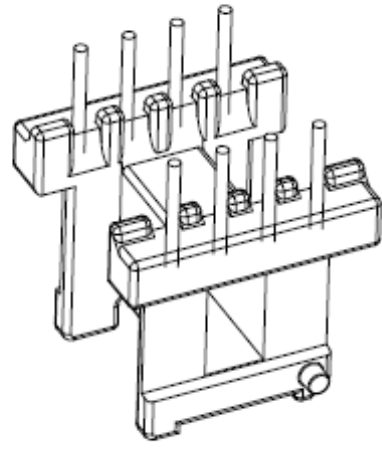
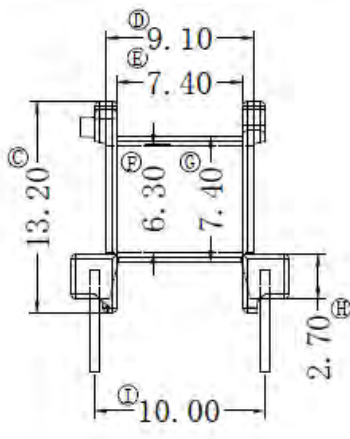
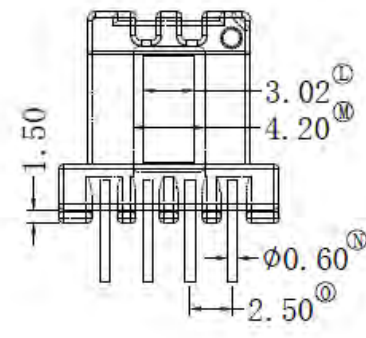
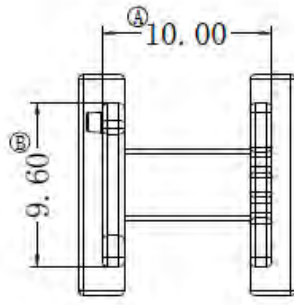
DRAFTED BY	TianXipeng	TOLERANCE		ANGLR: $\pm 1^\circ$	MODEL NAME: EE-10H(4+4) PIN		
CHECKED BY	Jack Wang	0<L≤4 ±0.1 4<L≤16 ±0.2 16<L≤63 ±0.3	Pin pitch ±0.20	UNIT:MM	MATERIAL: PHENOLIC	UL REC: UL 94V-0	
 SHANHOM SHAANXI SHINHOM ENTERPRISE CO.,LTD TEL: 029-87851838      FAX:029-87851840 Email: sales@shinhom.com.cn				SCALE: 1/1	TERMINAL MAT:CP WIRE	PIN TENSION LOAD: 1.0 KGS MIN	
					DATE: 2014.03.28	DRAWING NO:	REV. A


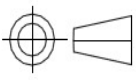


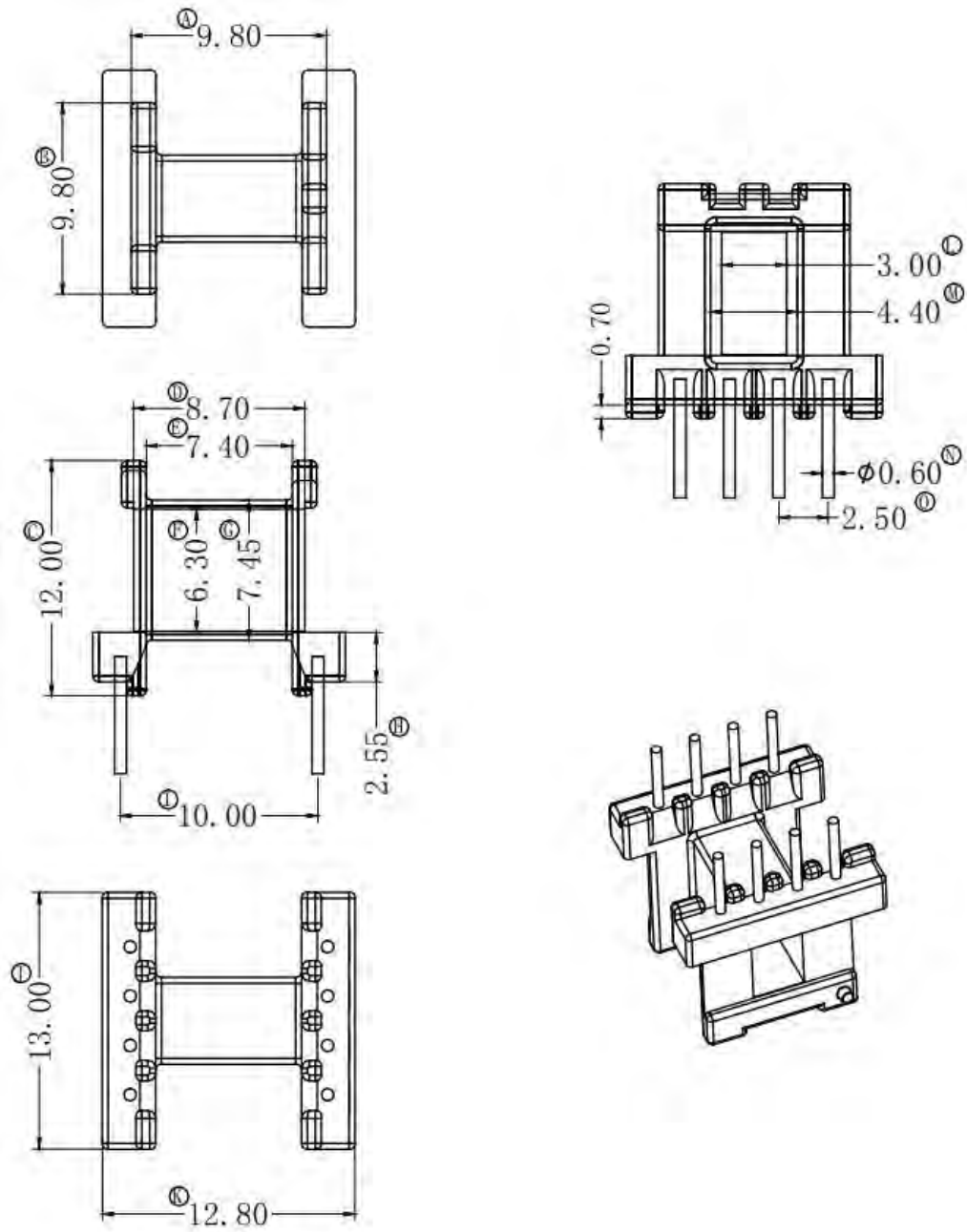
DRAFTED BY	TianXipeng	TOLERANCE		ANGLR: ±1°	MODEL NAME: EE-10/7H(4+4) PIN		
CHECKED BY	Jack Wang	0<L≤4 ±0.1 4<L≤16 ±0.2 16<L≤63 ±0.3	Pin pitch ±0.20	UNIT:MM	MATERIAL: PHENOLIC	UL REC: UL 94V-0	
 SHANHOM SHAANXI SHINHOM ENTERPRISE CO.,LTD TEL: 029-87851838      FAX:029-87851840 Email: sales@shinhom.com.cn				SCALE: 1/1	TERMINAL MAT:CP WIRE	PIN TENSION LOAD: 1.0 KGS MIN	
					DATE: 2009.05.15	DRAWING NO:	REV. A


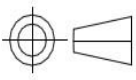


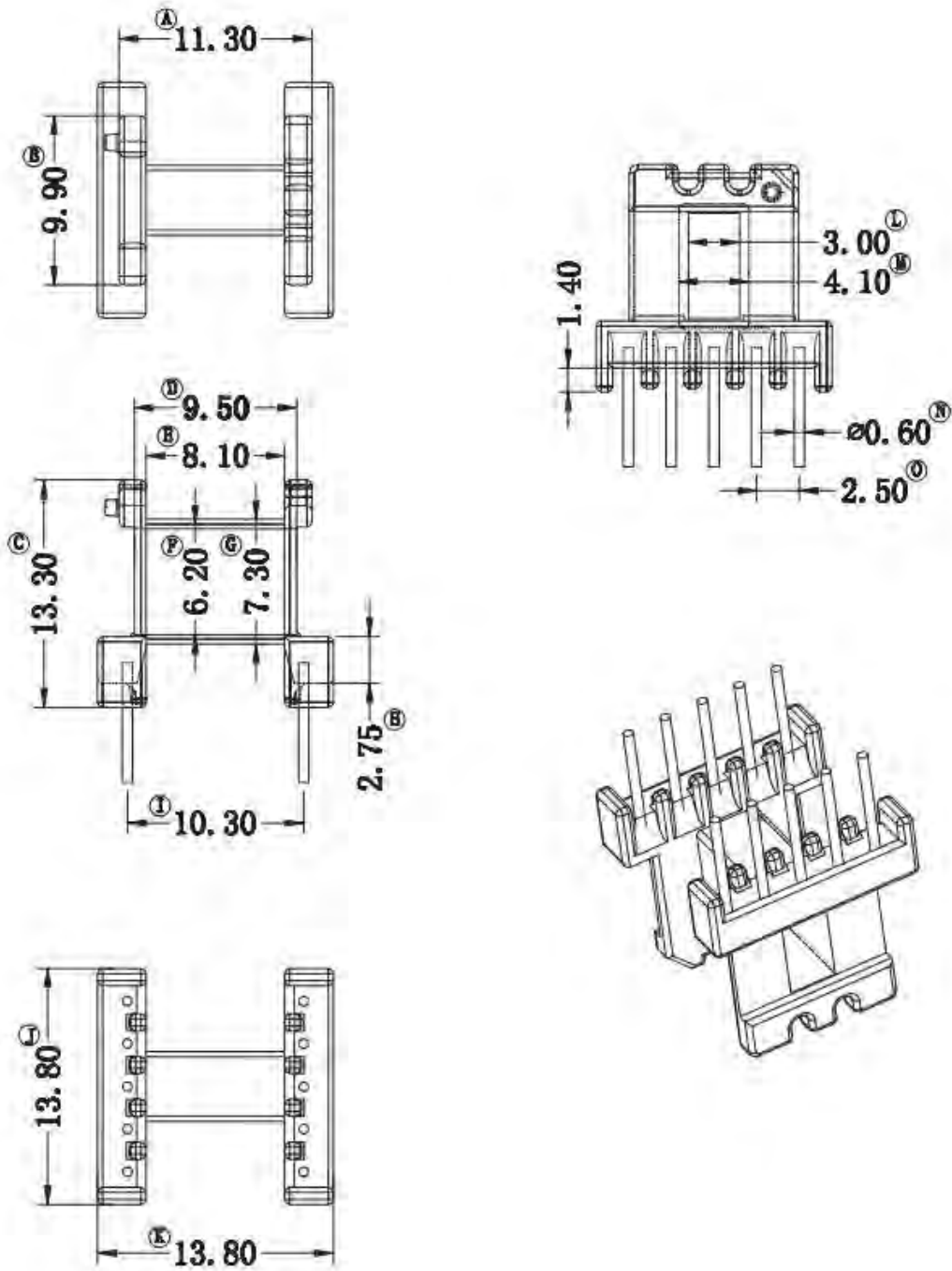
DRAFTED BY	TianXipeng	TOLERANCE		ANGLR: ±1°	MODEL NAME: EE-13H(4+4) PIN		
CHECKED BY	Jack Wang	0<L≤4 ±0.1 4<L≤16 ±0.2 16<L≤63 ±0.3	Pin pitch ±0.20	UNIT:MM	MATERIAL: PHENOLIC	UL REC: UL 94V-0	
 SHANHOM SHAANXI SHINHOM ENTERPRISE CO.,LTD TEL: 029-87851838      FAX:029-87851840 Email: sales@shinhom.com.cn				SCALE: 1/1	TERMINAL MAT:CP WIRE	PIN TENSION LOAD: 1.0 KGS MIN	
					DATE: 2009.05.15	DRAWING NO:	REV. A


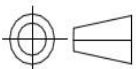


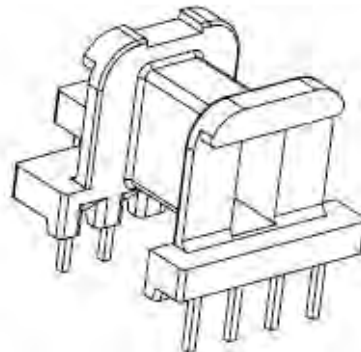
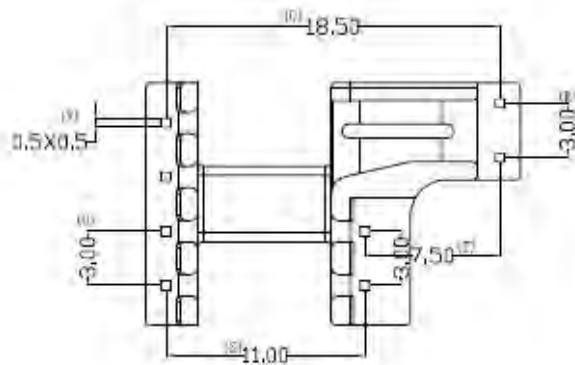
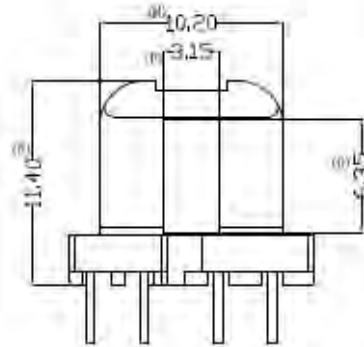
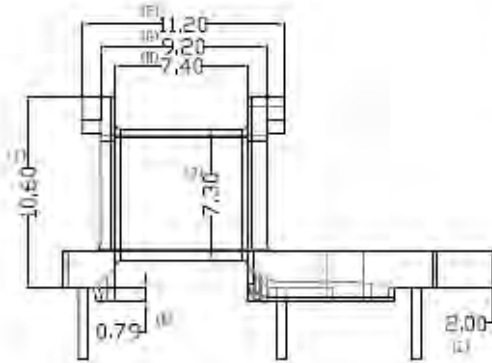
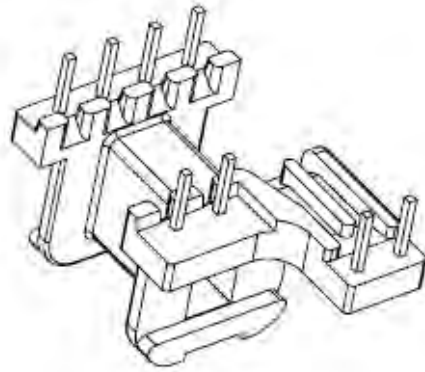
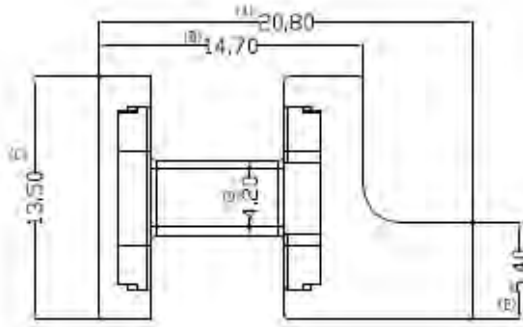
DRAFTED BY	TianXipeng	TOLERANCE		ANGLR: ±1°	MODEL NAME: EE-13H(4+4) PIN	
CHECKED BY	Jack Wang	0<L≤4 ±0.1 4<L≤16 ±0.2 16<L≤63 ±0.3	Pin pitch ±0.20	UNIT:MM	MATERIAL: PHENOLIC	UL REC: UL 94V-0
 SHANHOM ENTERPRISE CO.,LTD TEL: 029-87851838 FAX:029-87851840 Email: sales@shinhom.com.cn				SCALE: 1/1	TERMINAL MAT:CP WIRE	PIN TENSION LOAD: 1.0 KGS MIN
					DATE: 2009.05.15	DRAWING NO:


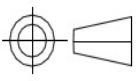


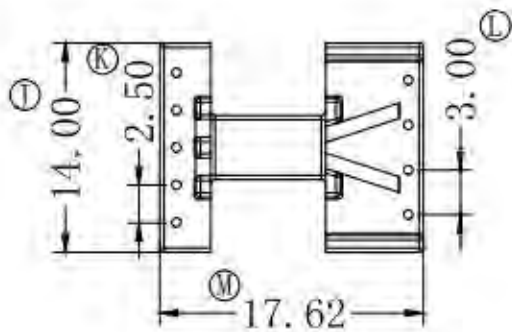
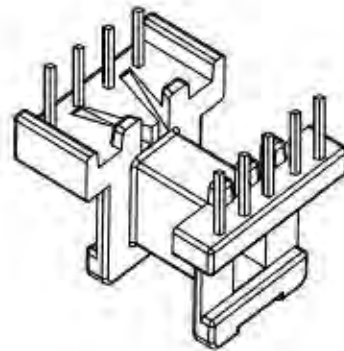
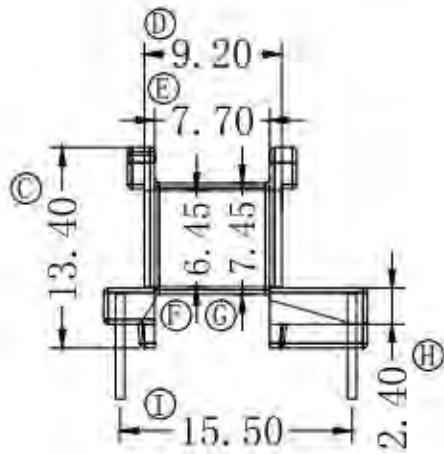
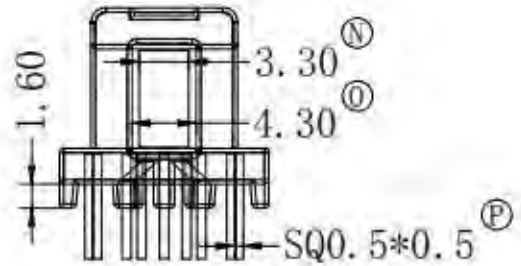
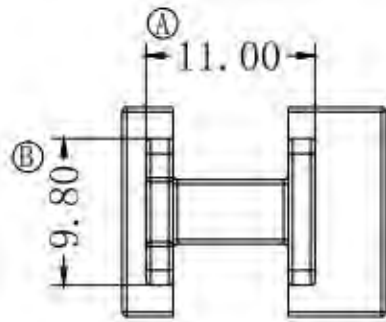
DRAFTED BY	TianXipeng	TOLERANCE		ANGLR: ±1°	MODEL NAME: EE-13H(4+4) PIN		
CHECKED BY	Jack Wang	0<L≤4 ±0.1 4<L≤16 ±0.2 16<L≤63 ±0.3	Pin pitch ±0.20	UNIT:MM	MATERIAL: PHENOLIC	UL REC: UL 94V-0	
 SHANHOM SHAANXI SHINHOM ENTERPRISE CO.,LTD TEL: 029-87851838      FAX:029-87851840 Email: sales@shinhom.com.cn				SCALE: 1/1	TERMINAL MAT:CP WIRE	PIN TENSION LOAD: 1.0 KGS MIN	
					DATE: 2014.03.28	DRAWING NO:	REV. A


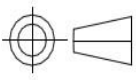


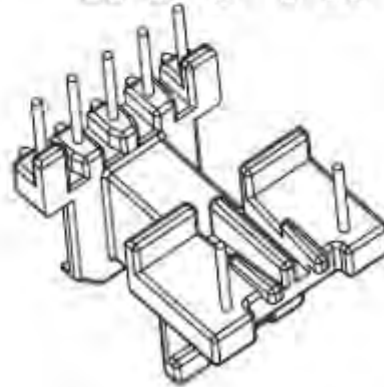
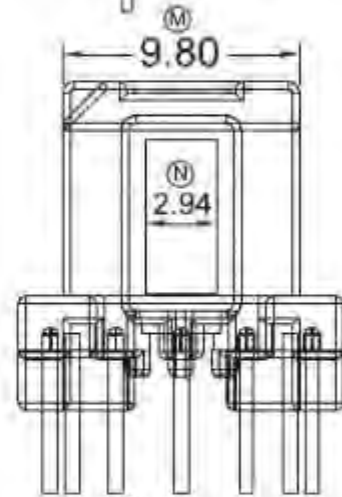
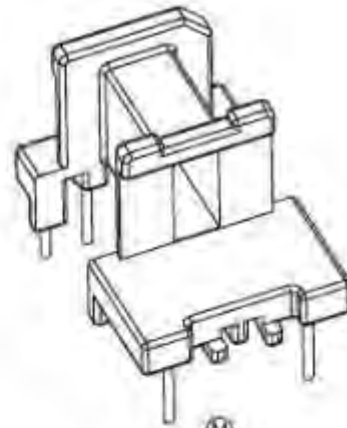
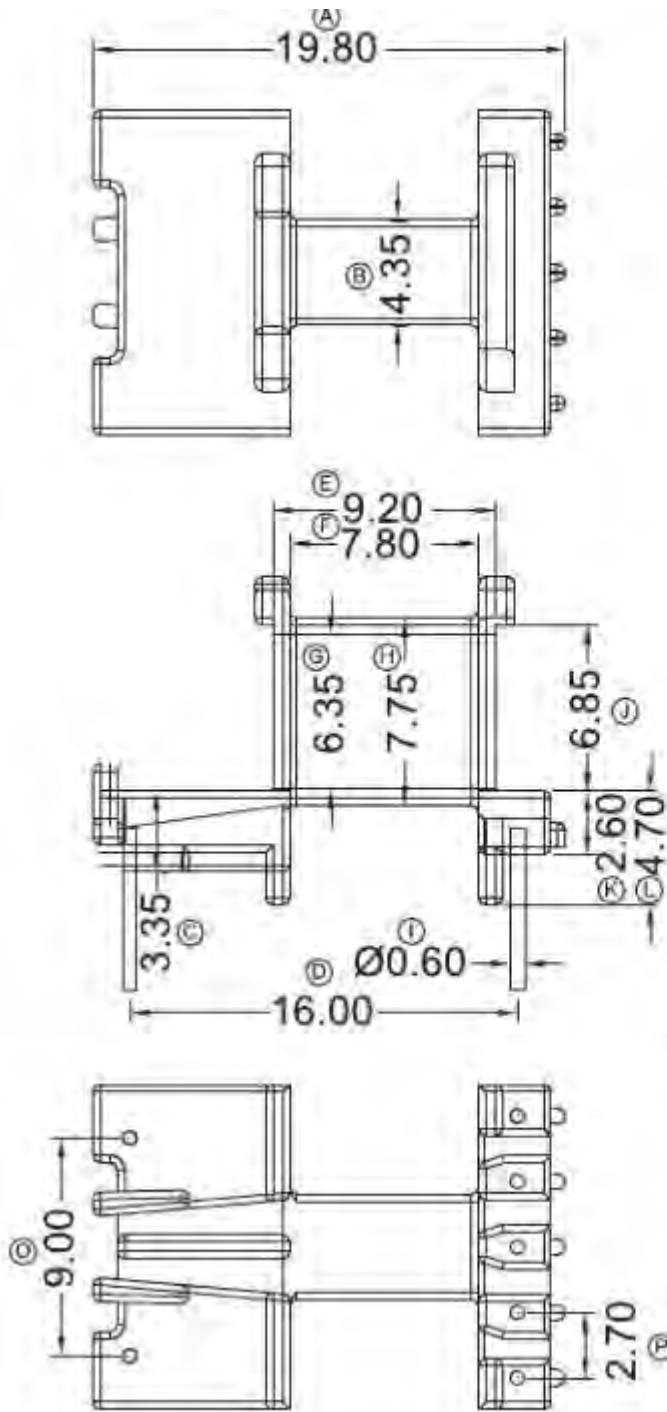
DRAFTED BY	TianXipeng	TOLERANCE		ANGLR: ±1°	MODEL NAME: EE-13H(5+5) PIN	
CHECKED BY	Jack Wang	0<L≤4 ±0.1 4<L≤16 ±0.2 16<L≤63 ±0.3	Pin pitch ±0.20	UNIT:MM	MATERIAL: PHENOLIC	UL REC: UL 94V-0
 SHANHOM SHAANXI SHINHOM ENTERPRISE CO.,LTD TEL: 029-87851838      FAX:029-87851840 Email: sales@shinhom.com.cn				SCALE: 1/1	TERMINAL MAT:CP WIRE	PIN TENSION LOAD: 1.0 KGS MIN
					DATE: 2009.05.15	DRAWING NO:


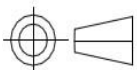


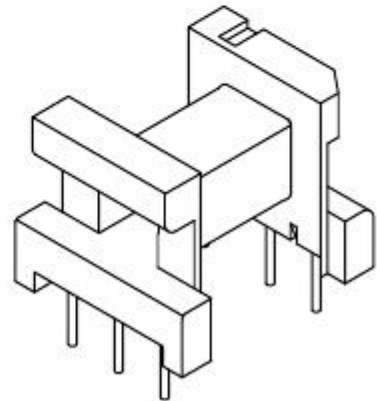
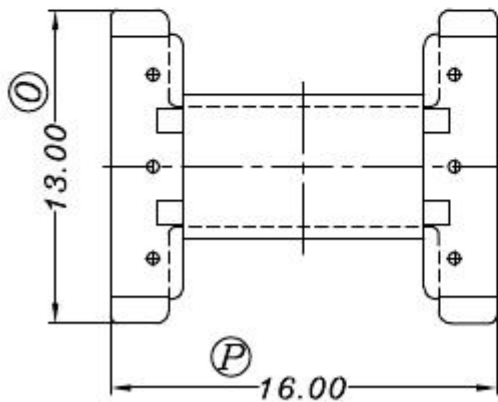
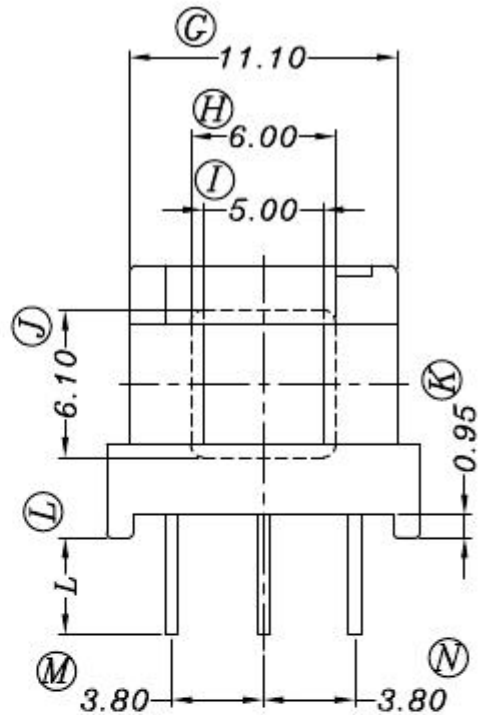
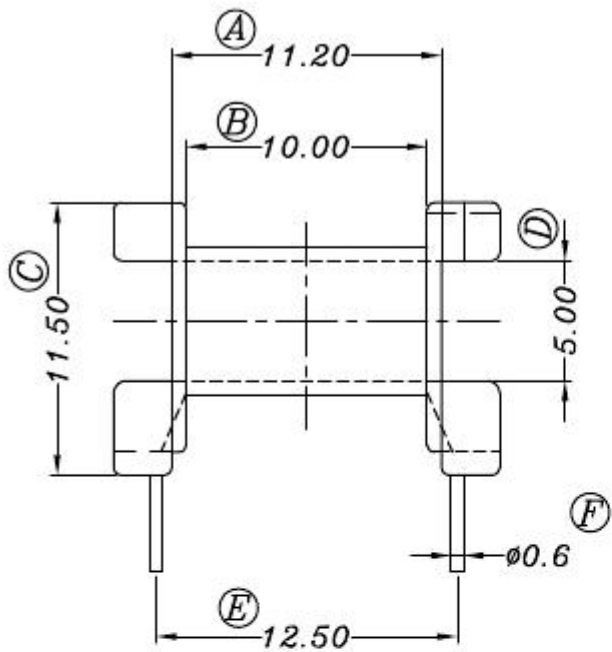
DRAFTED BY	TianXipeng	TOLERANCE		ANGLR: ±1°	MODEL NAME: EE-13H(4+2+2) PIN		
CHECKED BY	Jack Wang	0<L≤4 ±0.1 4<L≤16 ±0.2 16<L≤63 ±0.3	Pin pitch ±0.20	UNIT:MM	MATERIAL: PHENOLIC	UL REC: UL 94V-0	
 SHANHOM ENTERPRISE CO.,LTD TEL: 029-87851838 FAX:029-87851840 Email: sales@shinhom.com.cn				SCALE: 1/1	TERMINAL MAT:CP WIRE	PIN TENSION LOAD: 1.0 KGS MIN	
					DATE: 2016.01.01	DRAWING NO:	REV. A


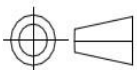


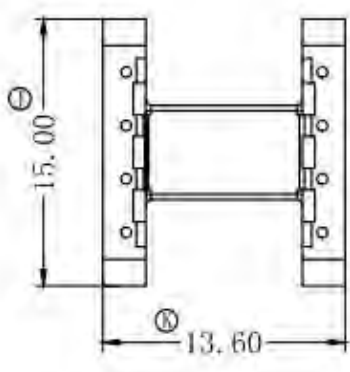
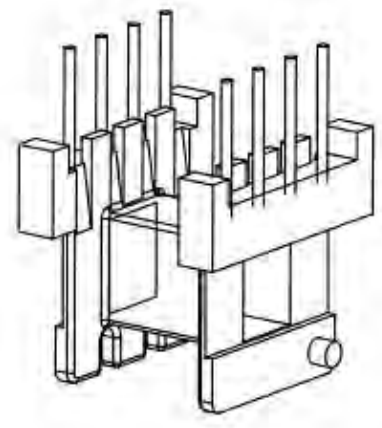
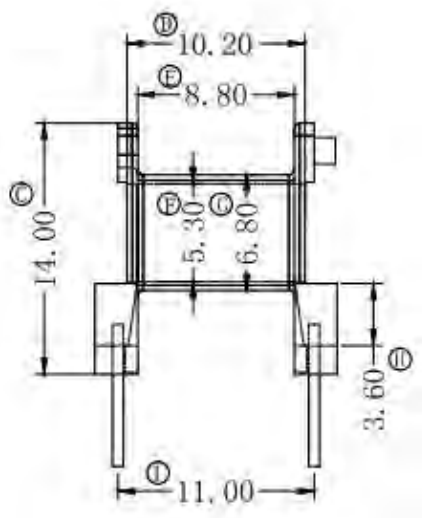
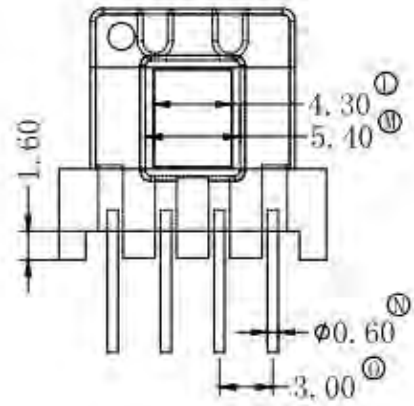
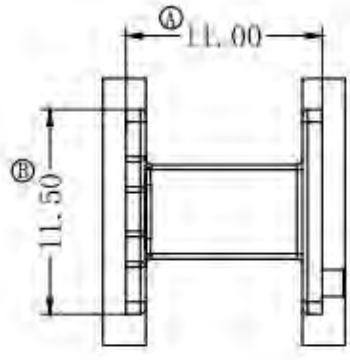
DRAFTED BY	TianXipeng	TOLERANCE		ANGLR: ±1°	MODEL NAME: EE-13H(5+4) PIN		
CHECKED BY	Jack Wang	0<L≤4 ±0.1 4<L≤16 ±0.2 16<L≤63 ±0.3	Pin pitch ±0.20	UNIT:MM	MATERIAL: PHENOLIC	UL REC: UL 94V-0	
 SHANHOM SHAANXI SHINHOM ENTERPRISE CO.,LTD TEL: 029-87851838      FAX:029-87851840 Email: sales@shinhom.com.cn				SCALE: 1/1	TERMINAL MAT:CP WIRE	PIN TENSION LOAD: 1.0 KGS MIN	
					DATE: 2014.03.28	DRAWING NO:	REV. A


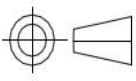


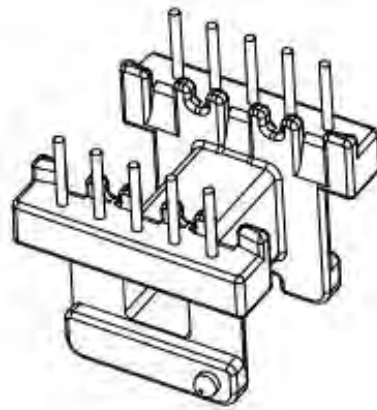
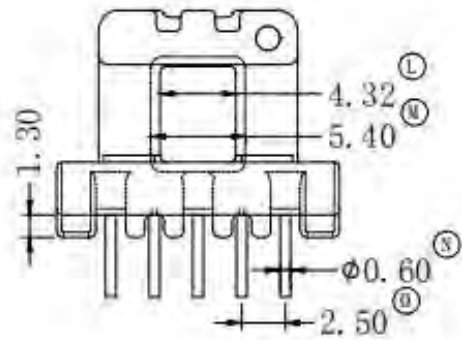
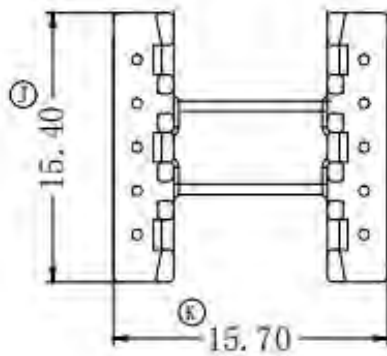
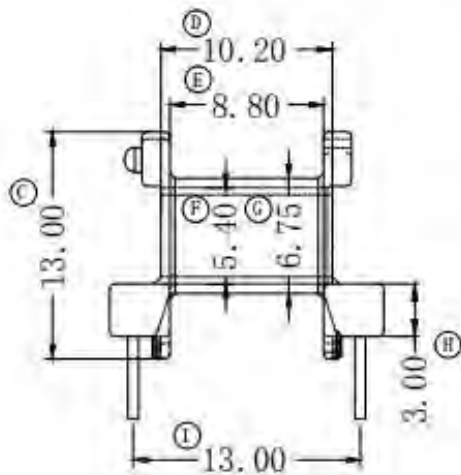
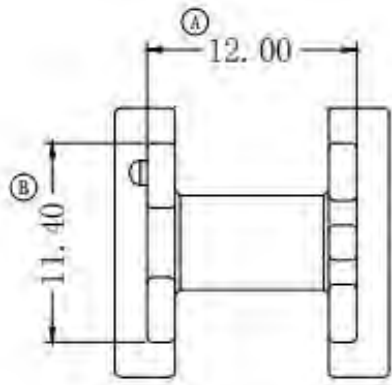
DRAFTED BY	TianXipeng	TOLERANCE		ANGLR: ±1°	MODEL NAME: EE-13H(5+2) PIN	
CHECKED BY	Jack Wang	0<L≤4 ±0.1 4<L≤16 ±0.2 16<L≤63 ±0.3	Pin pitch ±0.20	UNIT:MM	MATERIAL: PHENOLIC	UL REC: UL 94V-0
 SHANHOM SHAANXI SHINHOM ENTERPRISE CO.,LTD TEL: 029-87851838      FAX:029-87851840 Email: sales@shinhom.com.cn				SCALE: 1/1	TERMINAL MAT:CP WIRE	PIN TENSION LOAD: 1.0 KGS MIN
					DATE: 2014.03.28	DRAWING NO:


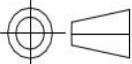


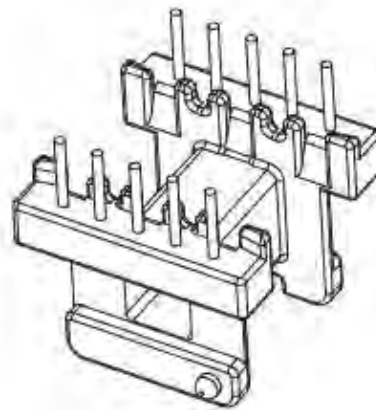
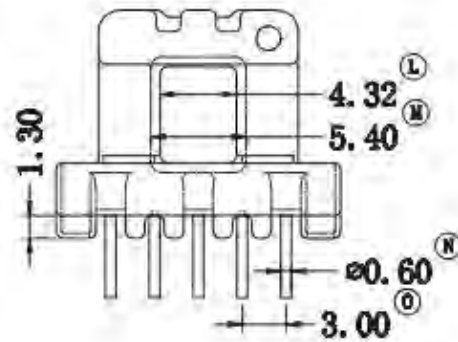
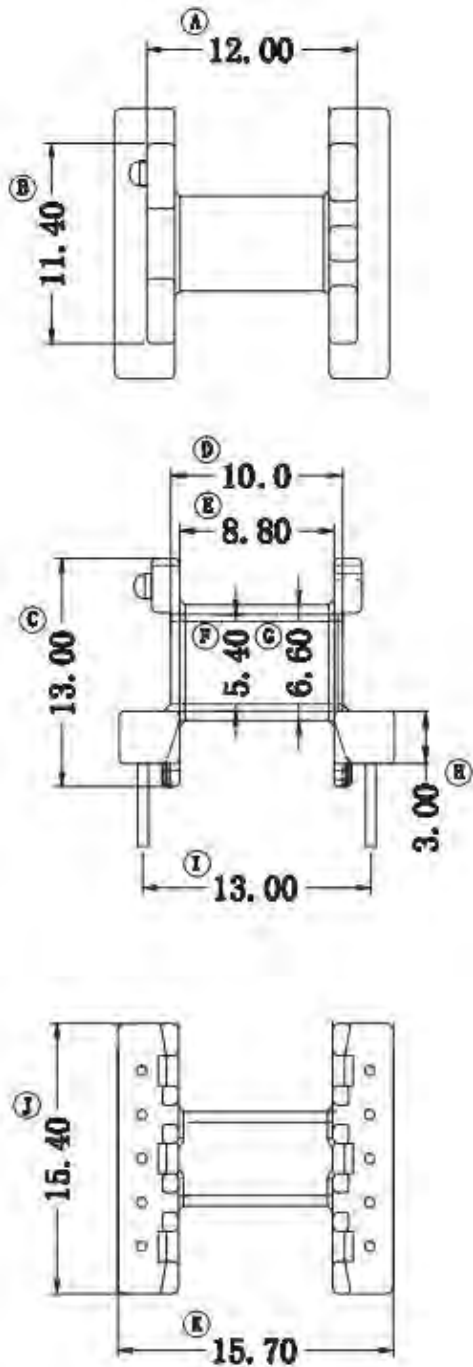
DRAFTED BY	TianXipeng	TOLERANCE		ANGLR: ±1°	MODEL NAME: EE-16H(3+3) PIN		
CHECKED BY	Jack Wang	0<L≤4 ±0.1 4<L≤16 ±0.2 16<L≤63 ±0.3	Pin pitch ±0.20	UNIT:MM	MATERIAL: PHENOLIC	UL REC: UL 94V-0	
 SHANHOM ENTERPRISE CO.,LTD TEL: 029-87851838 FAX:029-87851840 Email: sales@shinhom.com.cn				SCALE: 1/1	TERMINAL MAT:CP WIRE	PIN TENSION LOAD: 1.0 KGS MIN	
					DATE: 2015.03.28	DRAWING NO:	REV. A


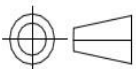


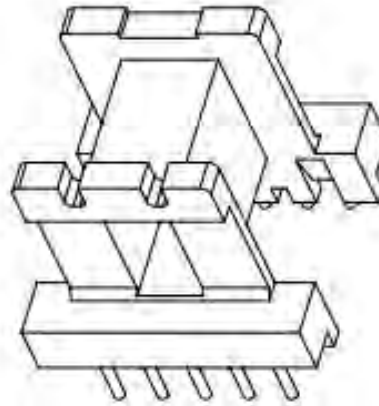
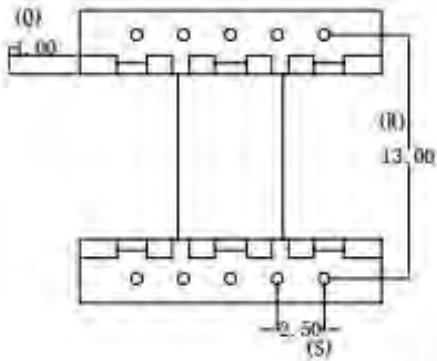
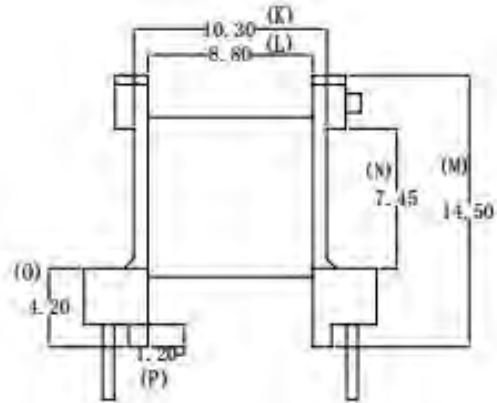
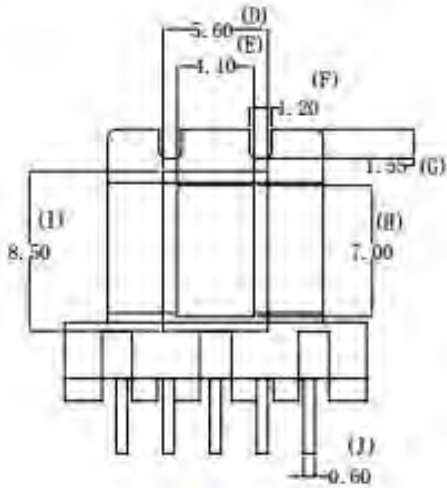
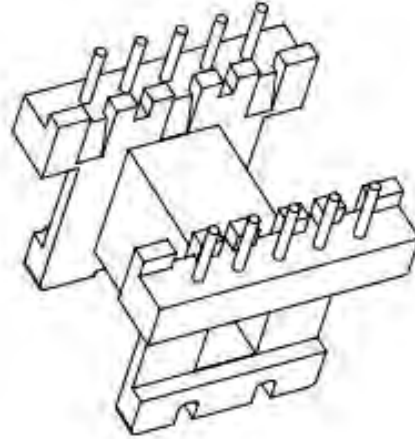
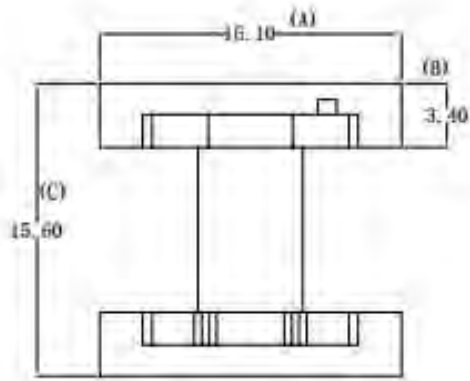
DRAFTED BY	TianXipeng	TOLERANCE		ANGLR: ±1°	MODEL NAME: EE-16H(4+4) PIN	
CHECKED BY	Jack Wang	0<L≤4 ±0.1 4<L≤16 ±0.2 16<L≤63 ±0.3	Pin pitch ±0.20	UNIT:MM	MATERIAL: PHENOLIC	UL REC: UL 94V-0
 SHANHOM ENTERPRISE CO.,LTD TEL: 029-87851838 FAX:029-87851840 Email: sales@shinhom.com.cn				SCALE: 1/1	TERMINAL MAT:CP WIRE	PIN TENSION LOAD: 1.0 KGS MIN
					DATE: 2014.03.28	DRAWING NO:


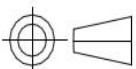


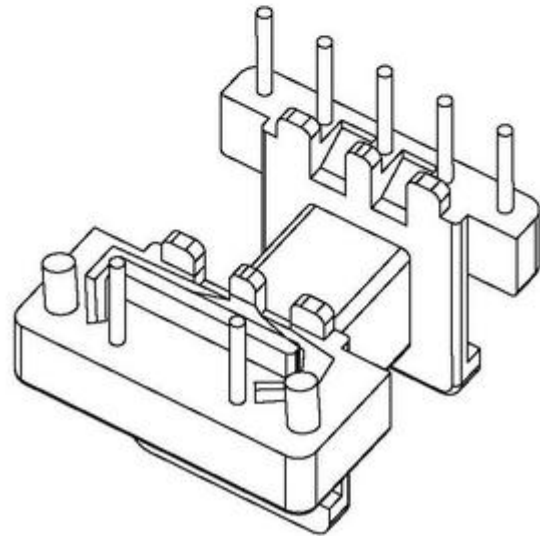
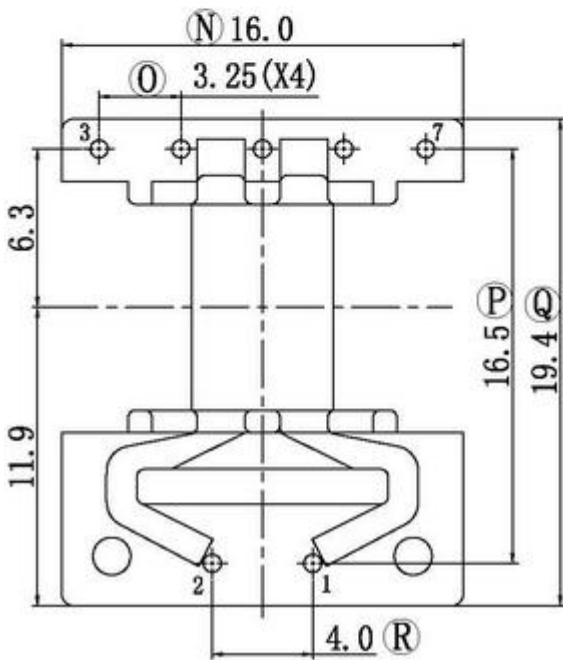
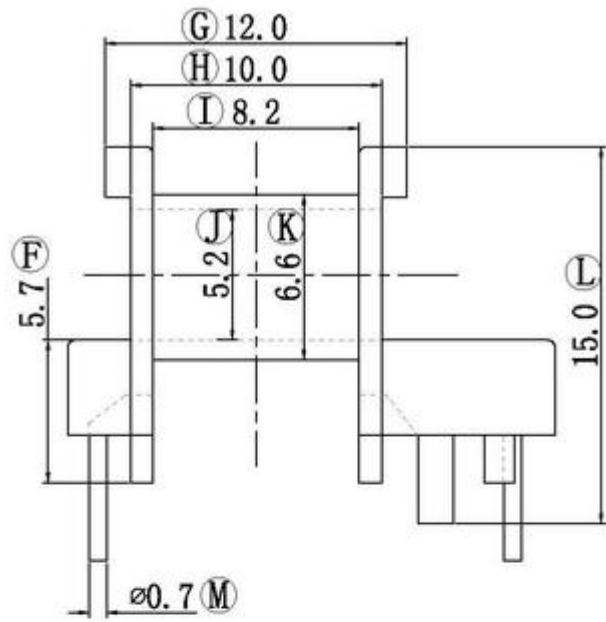
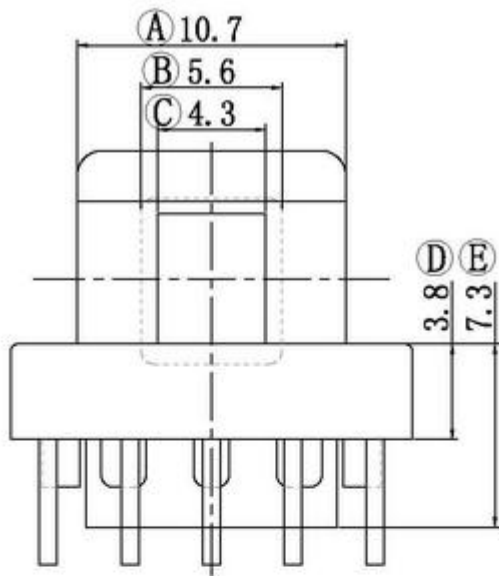
DRAFTED BY	TianXipeng	TOLERANCE		ANGLR: $\pm 1^\circ$	MODEL NAME: EE-16H(5+5) PIN	
CHECKED BY	Jack Wang	0<L≤4 ±0.1 4<L≤16 ±0.2 16<L≤63 ±0.3	Pin pitch ±0.20	UNIT:MM	MATERIAL: PHENOLIC	UL REC: UL 94V-0
 SHANHOM SHAANXI SHINHOM ENTERPRISE CO.,LTD TEL: 029-87851838      FAX:029-87851840 Email: sales@shinhom.com.cn				SCALE: 1/1	TERMINAL MAT:CP WIRE	PIN TENSION LOAD: 1.0 KGS MIN
					DATE: 2014.03.28	DRAWING NO:


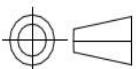


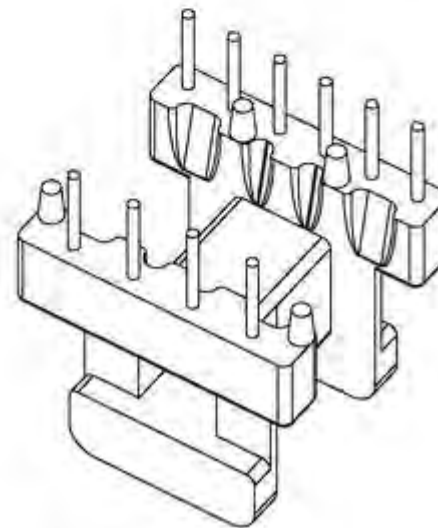
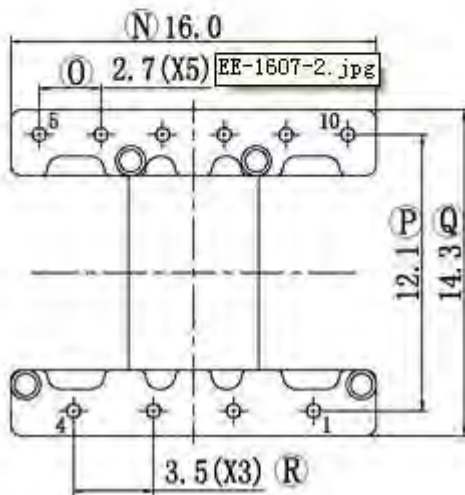
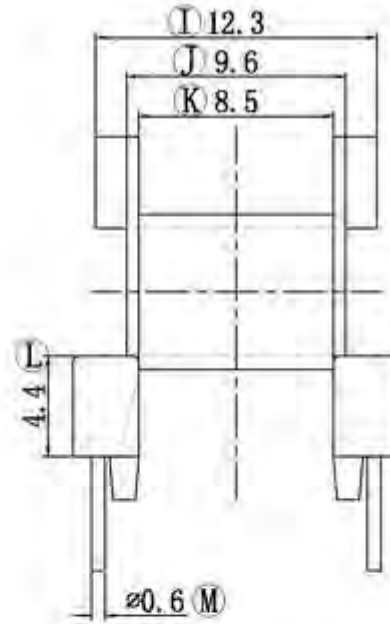
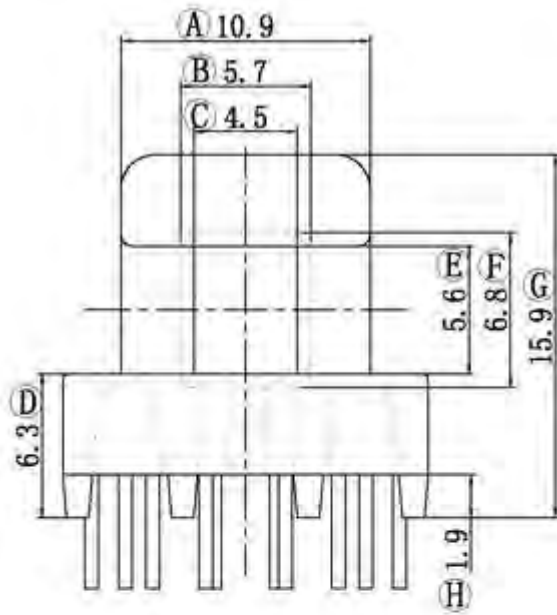
DRAFTED BY	TianXipeng	TOLERANCE		ANGLR: $\pm 1^\circ$	MODEL NAME: EE-16H(5+5) PIN	
CHECKED BY	Jack Wang	0<L≤4 ±0.1 4<L≤16 ±0.2 16<L≤63 ±0.3	Pin pitch ±0.20	UNIT:MM	MATERIAL: PHENOLIC	UL REC: UL 94V-0
 SHANHOM SHAANXI SHINHOM ENTERPRISE CO.,LTD TEL: 029-87851838      FAX:029-87851840 Email: sales@shinhom.com.cn				SCALE: 1/1	TERMINAL MAT:CP WIRE	PIN TENSION LOAD: 1.0 KGS MIN
					DATE: 2014.03.28	DRAWING NO:


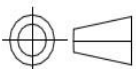


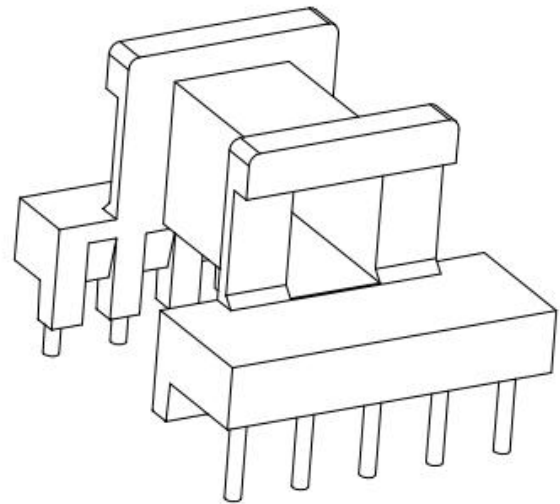
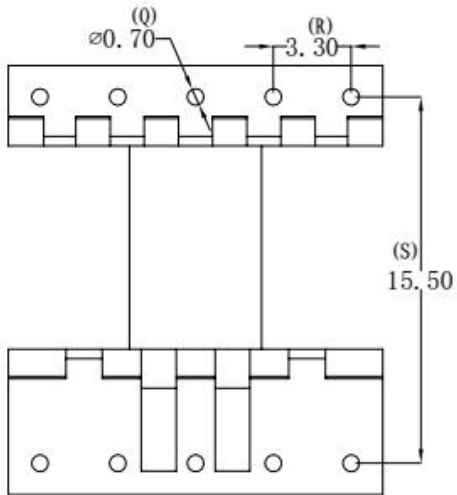
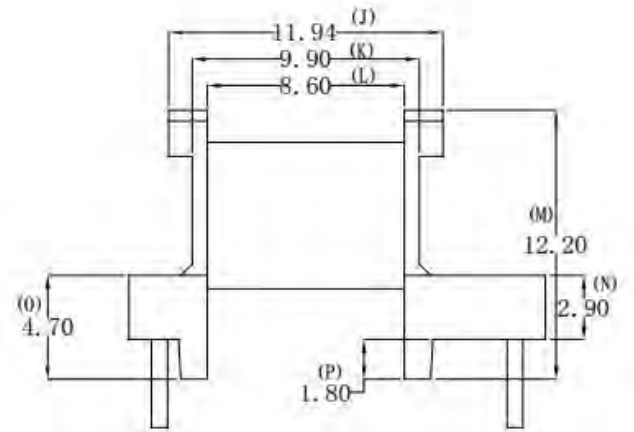
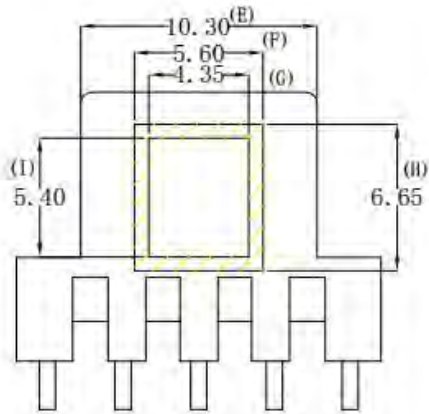
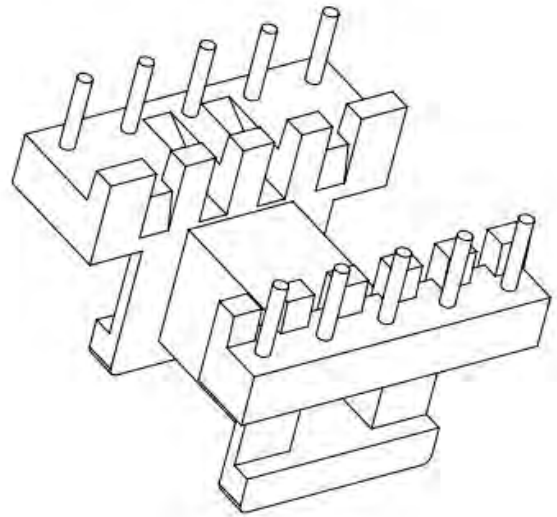
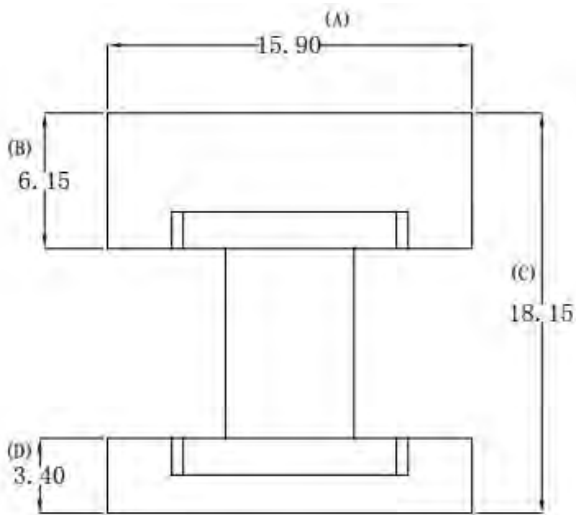
DRAFTED BY	TianXipeng	TOLERANCE		ANGLR: ±1°	MODEL NAME: EE-16H(5+5) PIN	
CHECKED BY	Jack Wang	0<L≤4 ±0.1 4<L≤16 ±0.2 16<L≤63 ±0.3	Pin pitch ±0.20	UNIT:MM	MATERIAL: PHENOLIC	UL REC: UL 94V-0
 SHANHOM SHAANXI SHINHOM ENTERPRISE CO.,LTD TEL: 029-87851838      FAX:029-87851840 Email: sales@shinhom.com.cn				SCALE: 1/1	TERMINAL MAT:CP WIRE	PIN TENSION LOAD: 1.0 KGS MIN
					DATE: 2009.05.15	DRAWING NO:


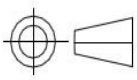


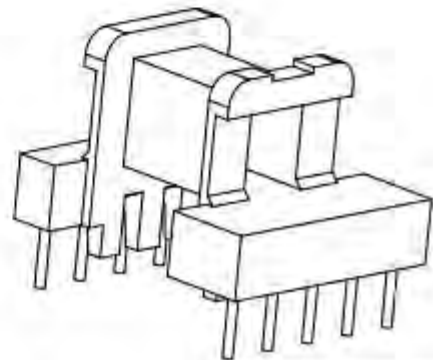
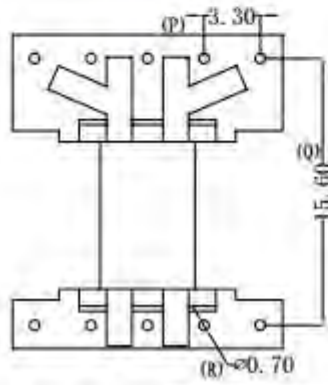
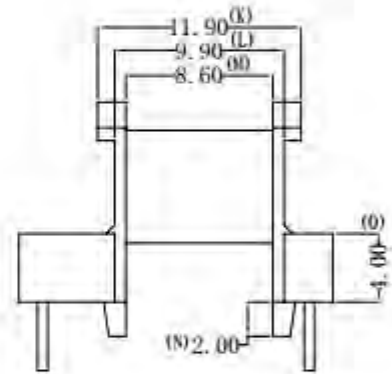
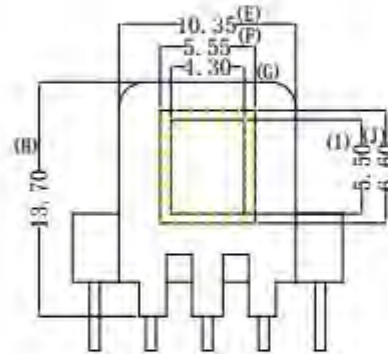
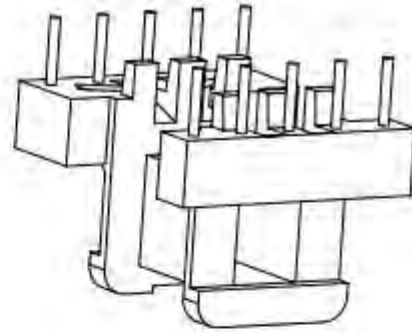
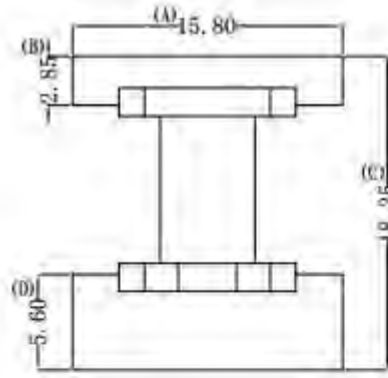
DRAFTED BY	TianXipeng	TOLERANCE		ANGLR: ±1°	MODEL NAME: EE-16H(5+2) PIN	
CHECKED BY	Jack Wang	0<L≤4 ±0.1 4<L≤16 ±0.2 16<L≤63 ±0.3	Pin pitch ±0.20	UNIT:MM	MATERIAL: PHENOLIC	UL REC: UL 94V-0
 SHINHOM Email: sales@shinhom.com.cn	SHAANXI SHINHOM ENTERPRISE CO.,LTD TEL: 029-87851838      FAX:029-87851840			SCALE: 1/1	TERMINAL MAT:CP WIRE	PIN TENSION LOAD: 1.0 KGS MIN
						DATE: 2009.05.15
						REV. A


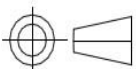


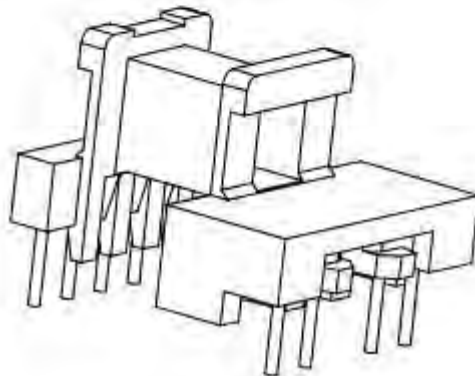
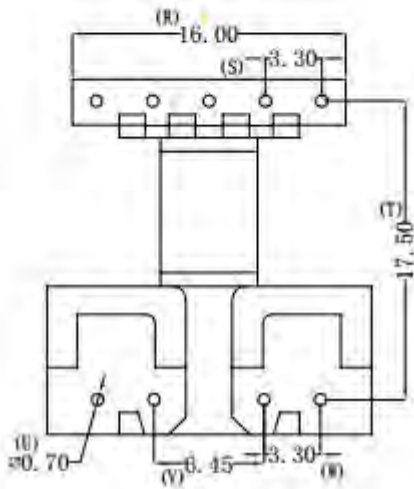
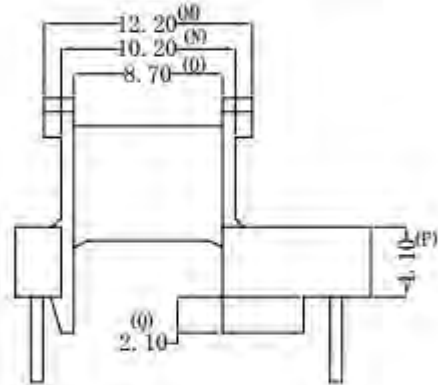
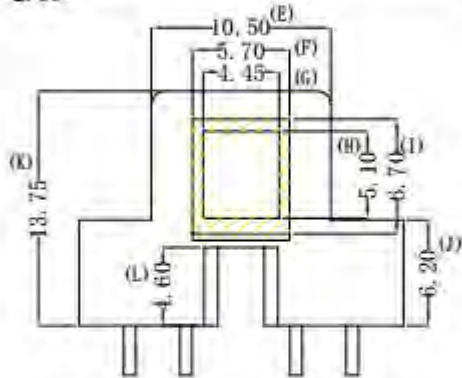
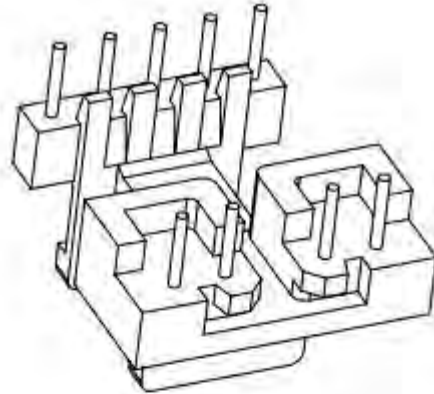
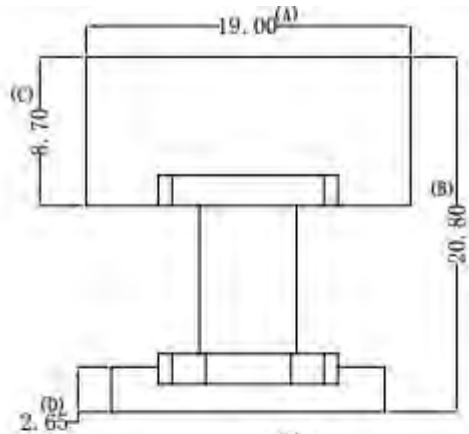
DRAFTED BY	TianXipeng	TOLERANCE		ANGLR: ±1°	MODEL NAME: EE-16H(4+6) PIN	
CHECKED BY	Jack Wang	0<L≤4 ±0.1 4<L≤16 ±0.2 16<L≤63 ±0.3	Pin pitch ±0.20	UNIT:MM	MATERIAL: PHENOLIC	UL REC: UL 94V-0
 SHINHOM SHAANXI SHINHOM ENTERPRISE CO.,LTD TEL: 029-87851838      FAX:029-87851840 Email: sales@shinhom.com.cn	SCALE: 1/1	TERMINAL MAT:CP WIRE	PIN TENSION LOAD: 1.0 KGS MIN		DATE: 2015.03.28	DRAWING NO:
						REV. A


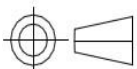


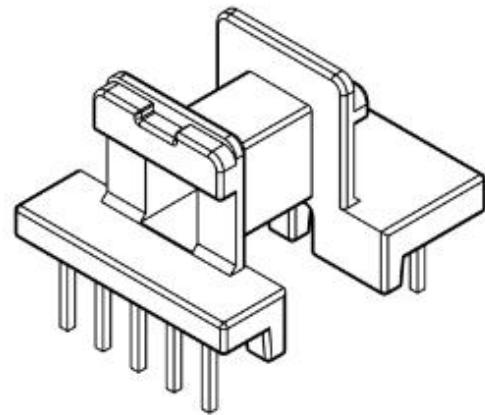
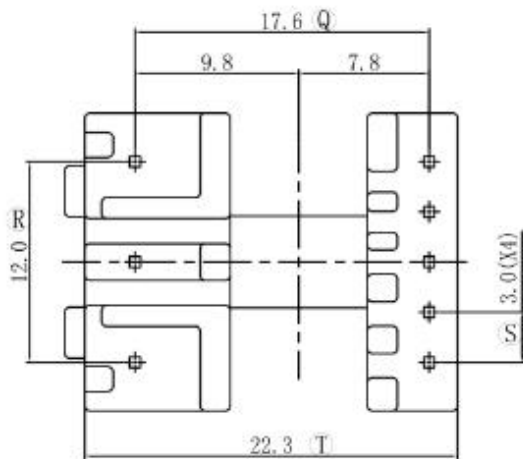
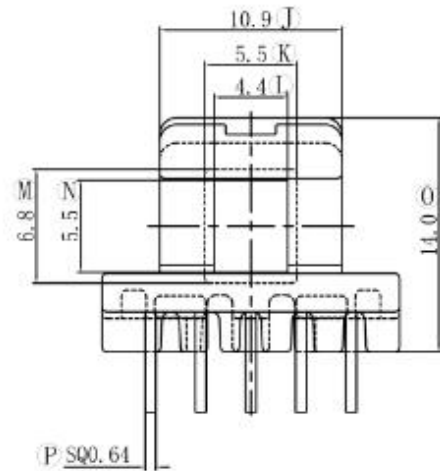
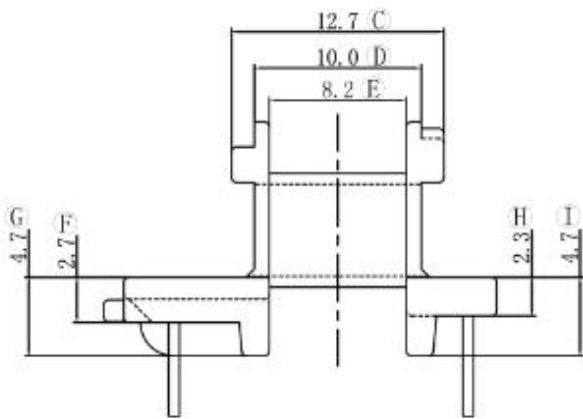
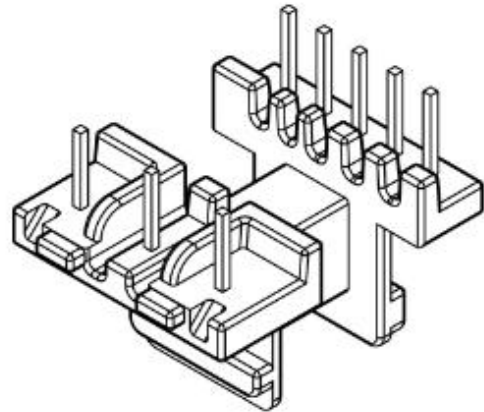
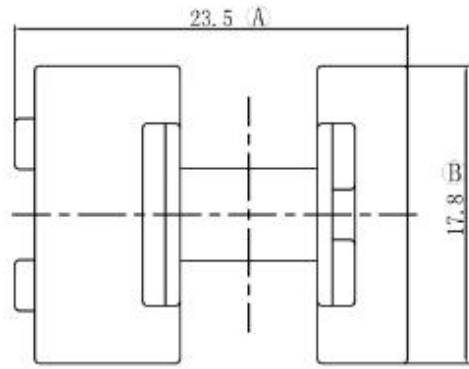
DRAFTED BY	TianXipeng	TOLERANCE		ANGLR: $\pm 1^\circ$	MODEL NAME: EE-16H(5+5) PIN	
CHECKED BY	Jack Wang	$0 < L \leq 4 \pm 0.1$ $4 < L \leq 16 \pm 0.2$ $16 < L \leq 63 \pm 0.3$	Pin pitch $\pm 0.20$	UNIT:MM	MATERIAL: PHENOLIC	UL REC: UL 94V-0
 SHAANXI SHINHOM ENTERPRISE CO.,LTD TEL: 029-87851838      FAX:029-87851840 Email: sales@shinhom.com.cn				SCALE: 1/1	TERMINAL MAT:CP WIRE	PIN TENSION LOAD: 1.0 KGS MIN
					DATE: 2016.01.01	DRAWING NO:


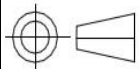
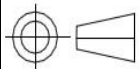


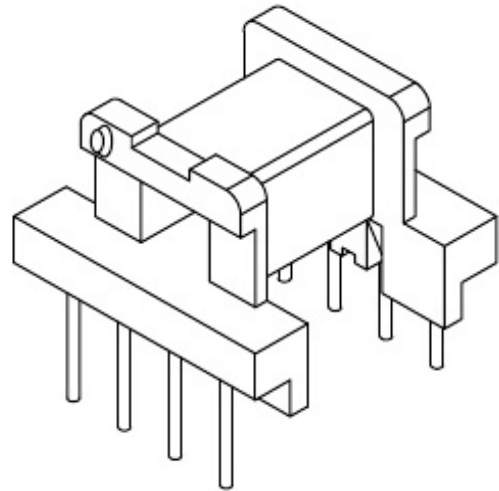
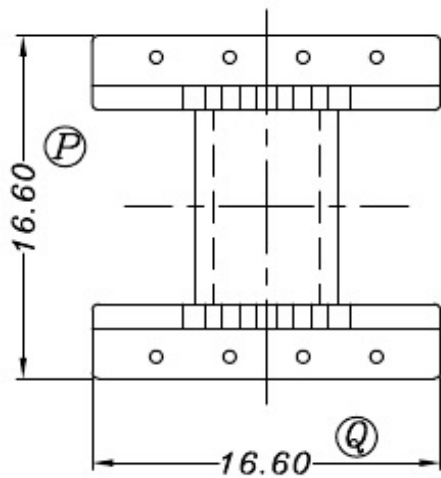
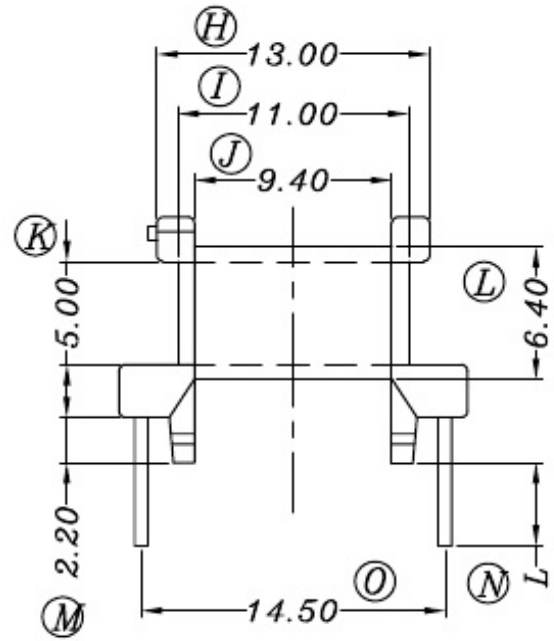
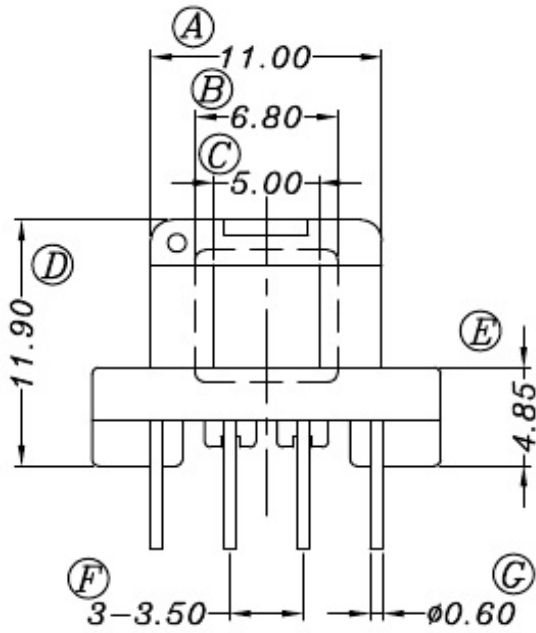
DRAFTED BY	TianXipeng	TOLERANCE		ANGLR: $\pm 1^\circ$	MODEL NAME: EE-16H(5+5) PIN	
CHECKED BY	Jack Wang	$0 < L \leq 4 \pm 0.1$ $4 < L \leq 16 \pm 0.2$ $16 < L \leq 63 \pm 0.3$	Pin pitch $\pm 0.20$	UNIT:MM	MATERIAL: PHENOLIC	UL REC: UL 94V-0
 SHANHOM SHAANXI SHINHOM ENTERPRISE CO.,LTD TEL: 029-87851838      FAX:029-87851840 Email: sales@shinhom.com.cn				SCALE: 1/1	TERMINAL MAT:CP WIRE	PIN TENSION LOAD: 1.0 KGS MIN
					DATE: 2016.01.01	DRAWING NO:


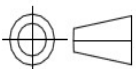


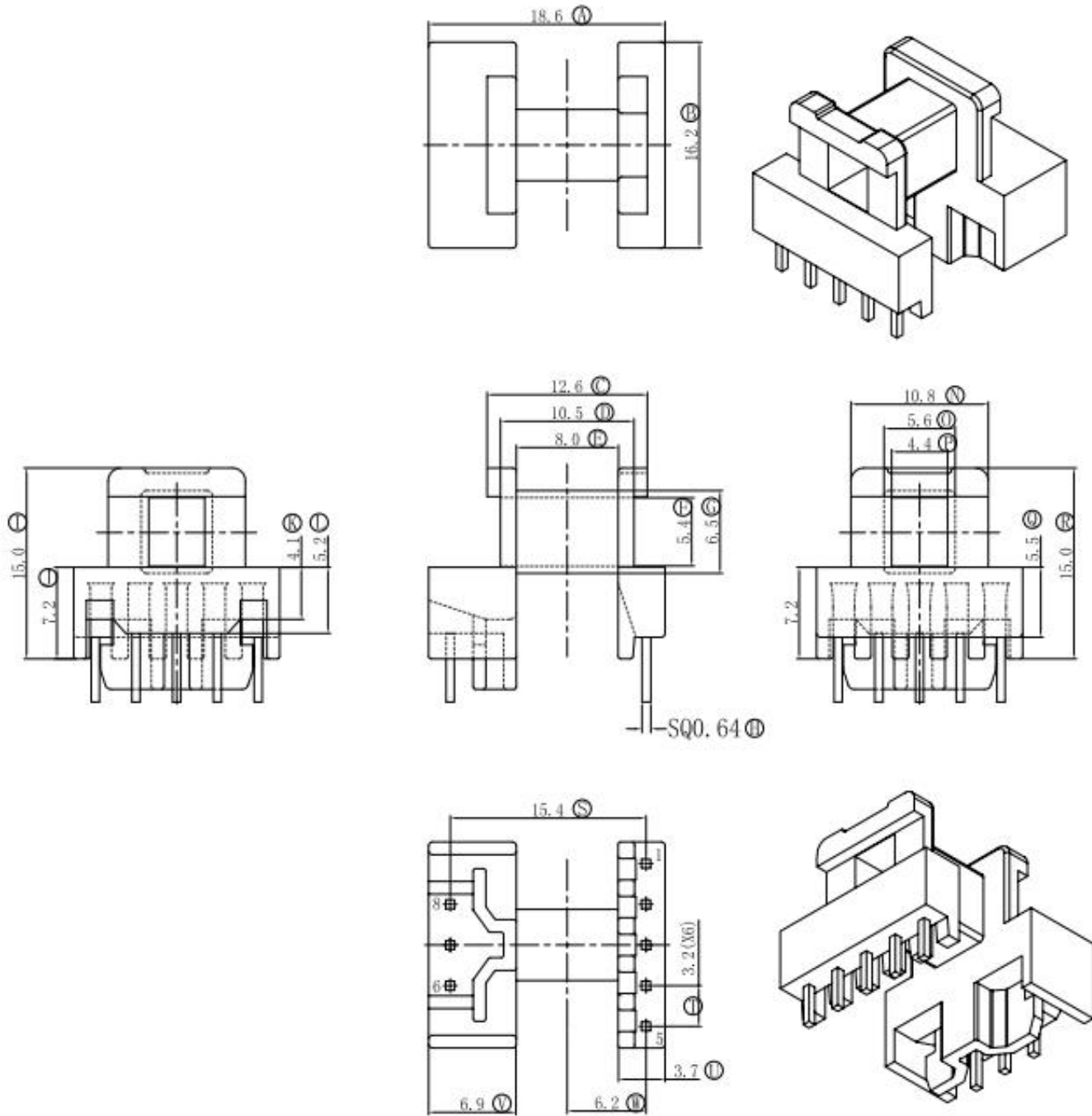
DRAFTED BY	TianXipeng	TOLERANCE		ANGLR: ±1°	MODEL NAME: EE-16H(5+4) PIN	
CHECKED BY	Jack Wang	0<L≤4 ±0.1 4<L≤16 ±0.2 16<L≤63 ±0.3	Pin pitch ±0.20	UNIT:MM	MATERIAL: PHENOLIC	UL REC: UL 94V-0
 SHANHOM ENTERPRISE CO.,LTD TEL: 029-87851838 FAX:029-87851840 Email: sales@shinhom.com.cn				SCALE: 1/1	TERMINAL MAT:CP WIRE	PIN TENSION LOAD: 1.0 KGS MIN
					DATE: 2016.01.01	DRAWING NO:


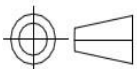


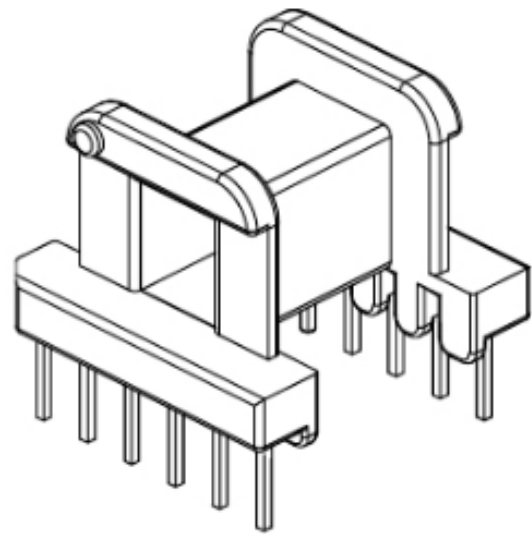
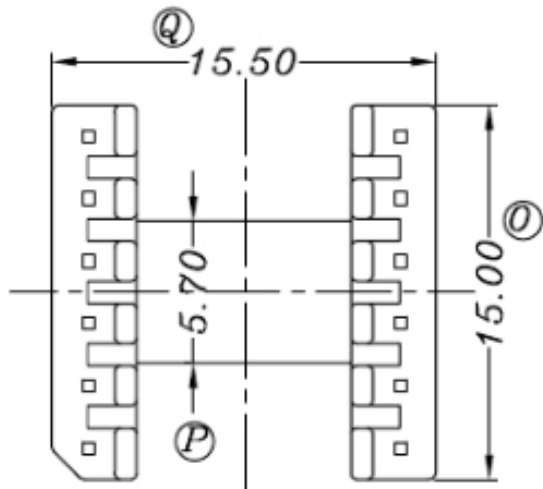
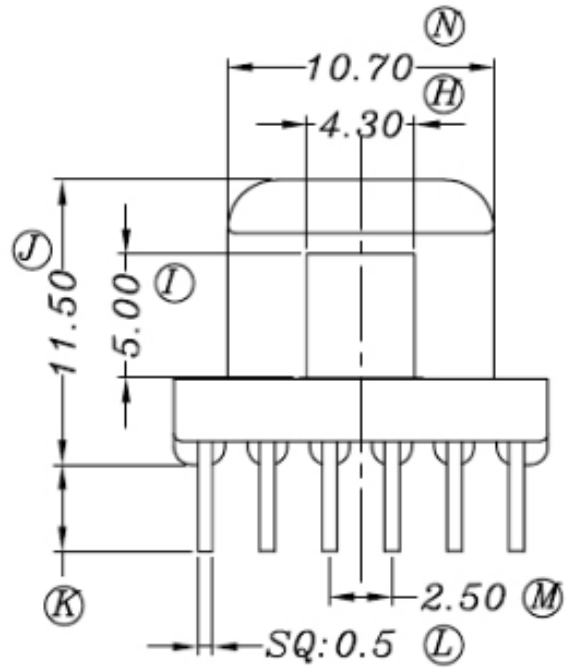
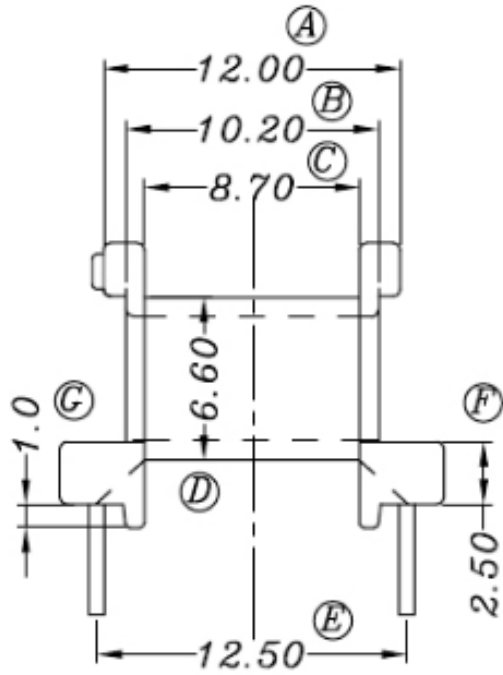
DRAFTED BY	TianXipeng	TOLERANCE		ANGLR: ±1°	MODEL NAME: EE-16H(5+3) PIN			
CHECKED BY	Jack Wang	0<L≤4 ±0.1 4<L≤16 ±0.2 16<L≤63 ±0.3	Pin pitch ±0.20	UNIT:MM	MATERIAL: PHENOLIC	UL REC: UL 94V-0		
 SHINHOM SHAANXI SHINHOM ENTERPRISE CO.,LTD TEL: 029-87851838 FAX:029-87851840 Email: sales@shinhom.com.cn	SCALE: 1/1	TERMINAL MAT:CP WIRE	PIN TENSION LOAD: 1.0 KGS MIN			DATE: 2016.05.15	DRAWING NO:	REV. A
								


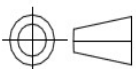


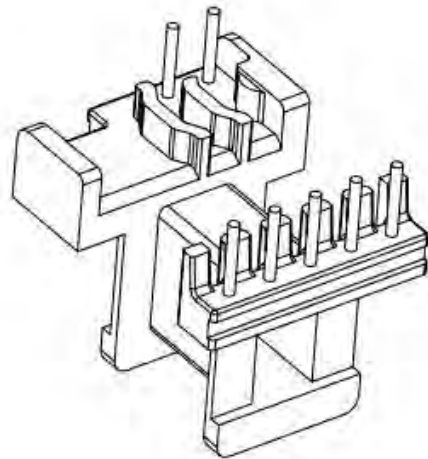
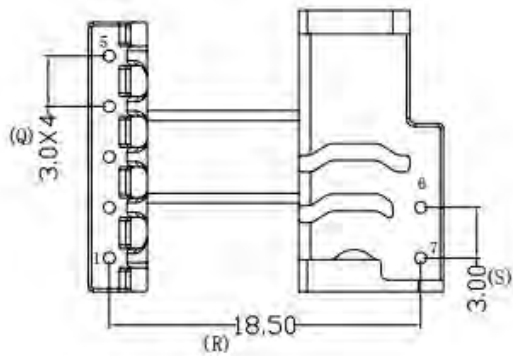
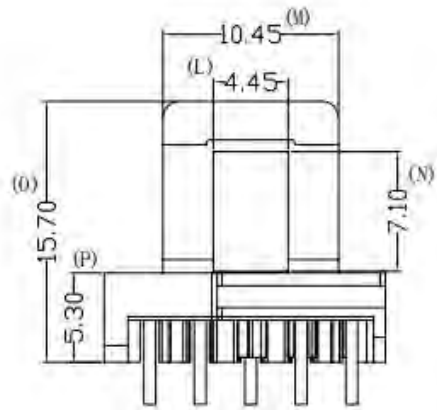
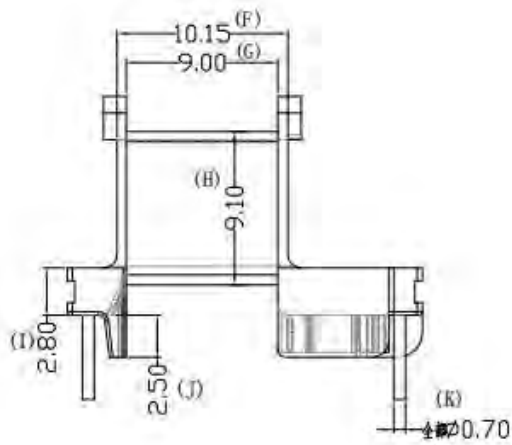
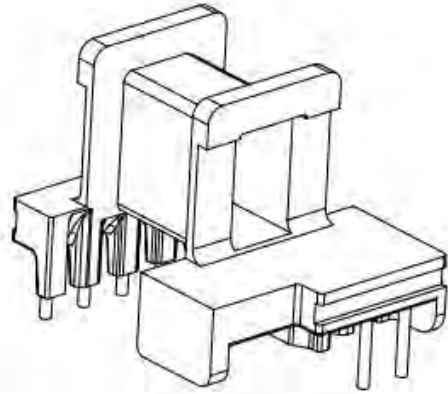
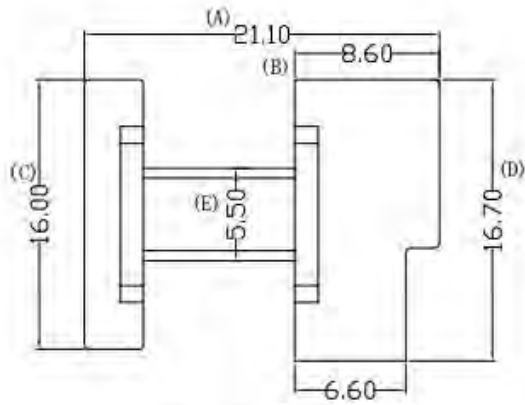
DRAFTED BY	TianXipeng	TOLERANCE		ANGLR: $\pm 1^\circ$	MODEL NAME: EE-16H(4+4) PIN	
CHECKED BY	Jack Wang	0 < L ≤ 4 ± 0.1 4 < L ≤ 16 ± 0.2 16 < L ≤ 63 ± 0.3	Pin pitch ± 0.20	UNIT: MM	MATERIAL: PHENOLIC	UL REC: UL 94V-0
 SHANHOM ENTERPRISE CO.,LTD TEL: 029-87851838 FAX:029-87851840 Email: sales@shinhom.com.cn				SCALE: 1/1	TERMINAL MAT: CP WIRE	PIN TENSION LOAD: 1.0 KGS MIN
					DATE: 2016.02.18	DRAWING NO:


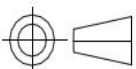


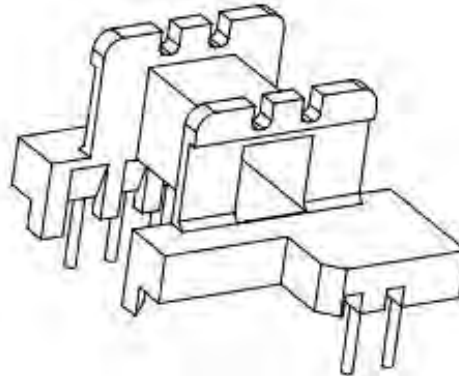
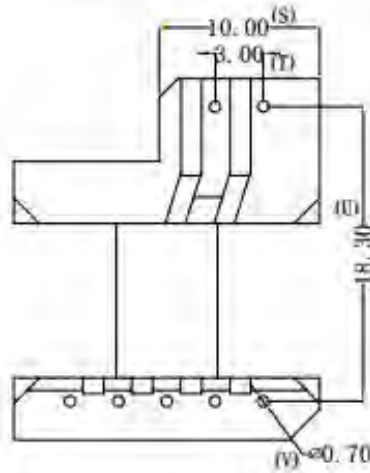
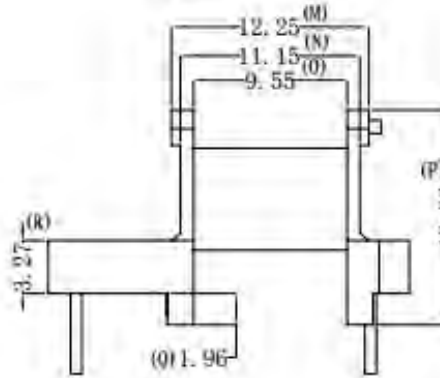
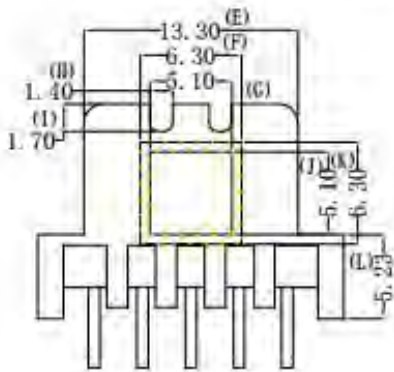
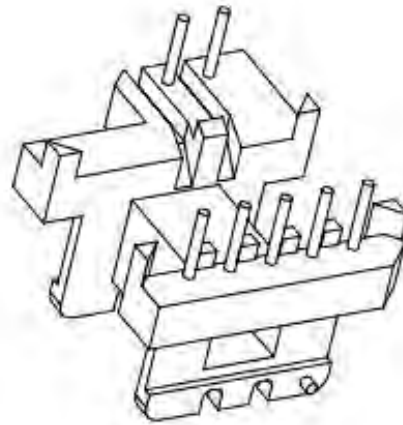
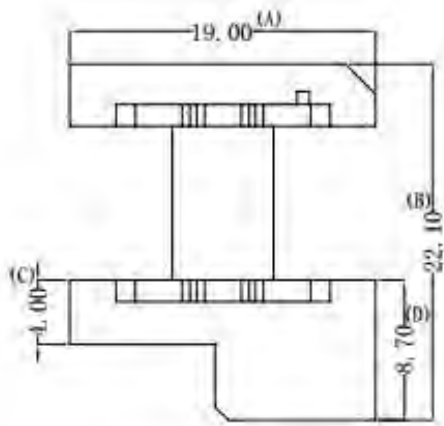
DRAFTED BY	TianXipeng	TOLERANCE		ANGLR: ±1°	MODEL NAME: EE-16H(5+3) PIN	
CHECKED BY	Jack Wang	0<L≤4 ±0.1 4<L≤16 ±0.2 16<L≤63 ±0.3	Pin pitch ±0.20	UNIT:MM	MATERIAL: PHENOLIC	UL REC: UL 94V-0
 SHAANXI SHINHOM ENTERPRISE CO.,LTD TEL: 029-87851838      FAX:029-87851840 Email: sales@shinhom.com.cn				SCALE: 1/1	TERMINAL MAT:CP WIRE	PIN TENSION LOAD: 1.0 KGS MIN
					DATE: 2016.02.18	DRAWING NO:


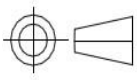


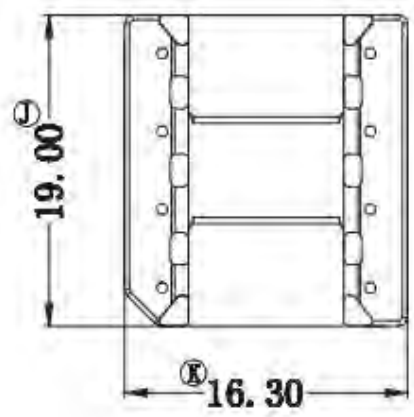
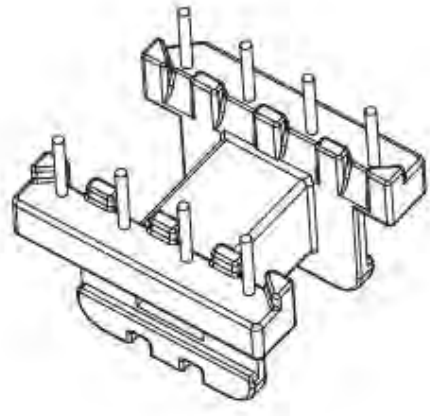
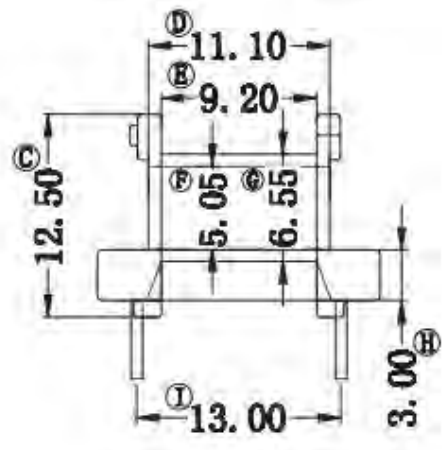
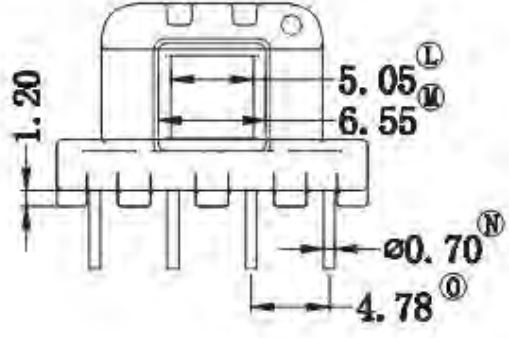
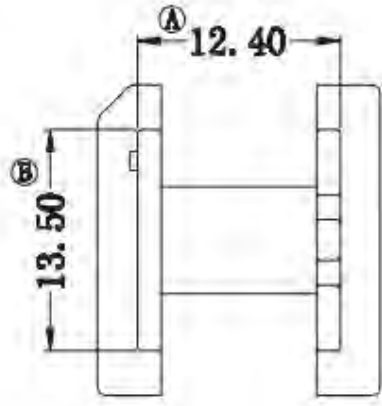
DRAFTED BY	TianXipeng	TOLERANCE		ANGLR: ±1°	MODEL NAME: EE-1636H(6+6) PIN	
CHECKED BY	Jack Wang	0<L≤4 ±0.1 4<L≤16 ±0.2 16<L≤63 ±0.3	Pin pitch ±0.20	UNIT:MM	MATERIAL: PHENOLIC	UL REC: UL 94V-0
 SHINHOM	SHAANXI SHINHOM ENTERPRISE CO.,LTD TEL: 029-87851838      FAX:029-87851840 Email: sales@shinhom.com.cn			SCALE: 1/1	TERMINAL MAT:CP WIRE	PIN TENSION LOAD: 1.0 KGS MIN
					DATE: 2017.12.13	DRAWING NO:


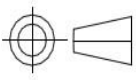


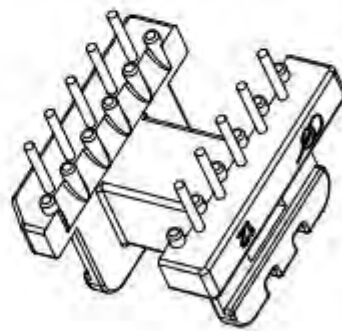
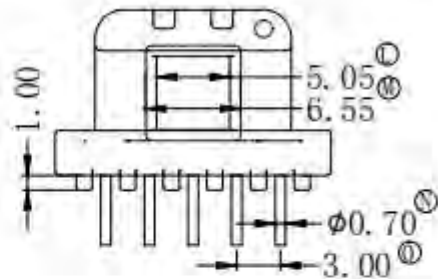
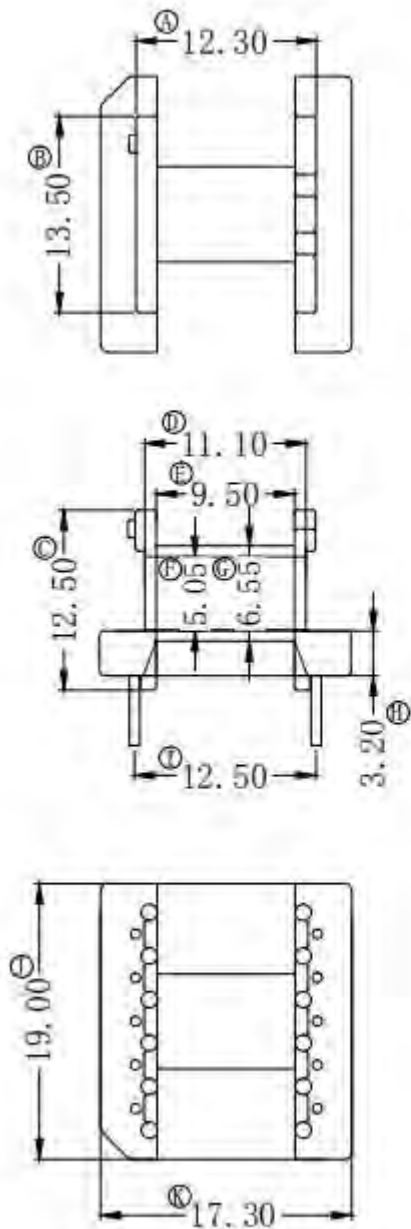
DRAFTED BY	TianXipeng	TOLERANCE		ANGLR: ±1°	MODEL NAME: EE-1652H(5+2) PIN		
CHECKED BY	Jack Wang	0<L≤4 ±0.1 4<L≤16 ±0.2 16<L≤63 ±0.3	Pin pitch ±0.20	UNIT:MM	MATERIAL: PHENOLIC	UL REC: UL 94V-0	
 SHANHOM SHAANXI SHINHOM ENTERPRISE CO.,LTD TEL: 029-87851838      FAX:029-87851840 Email: sales@shinhom.com.cn				SCALE: 1/1	TERMINAL MAT:CP WIRE	PIN TENSION LOAD: 1.0 KGS MIN	
					DATE: 2016.01.01	DRAWING NO:	REV. A


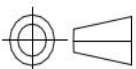


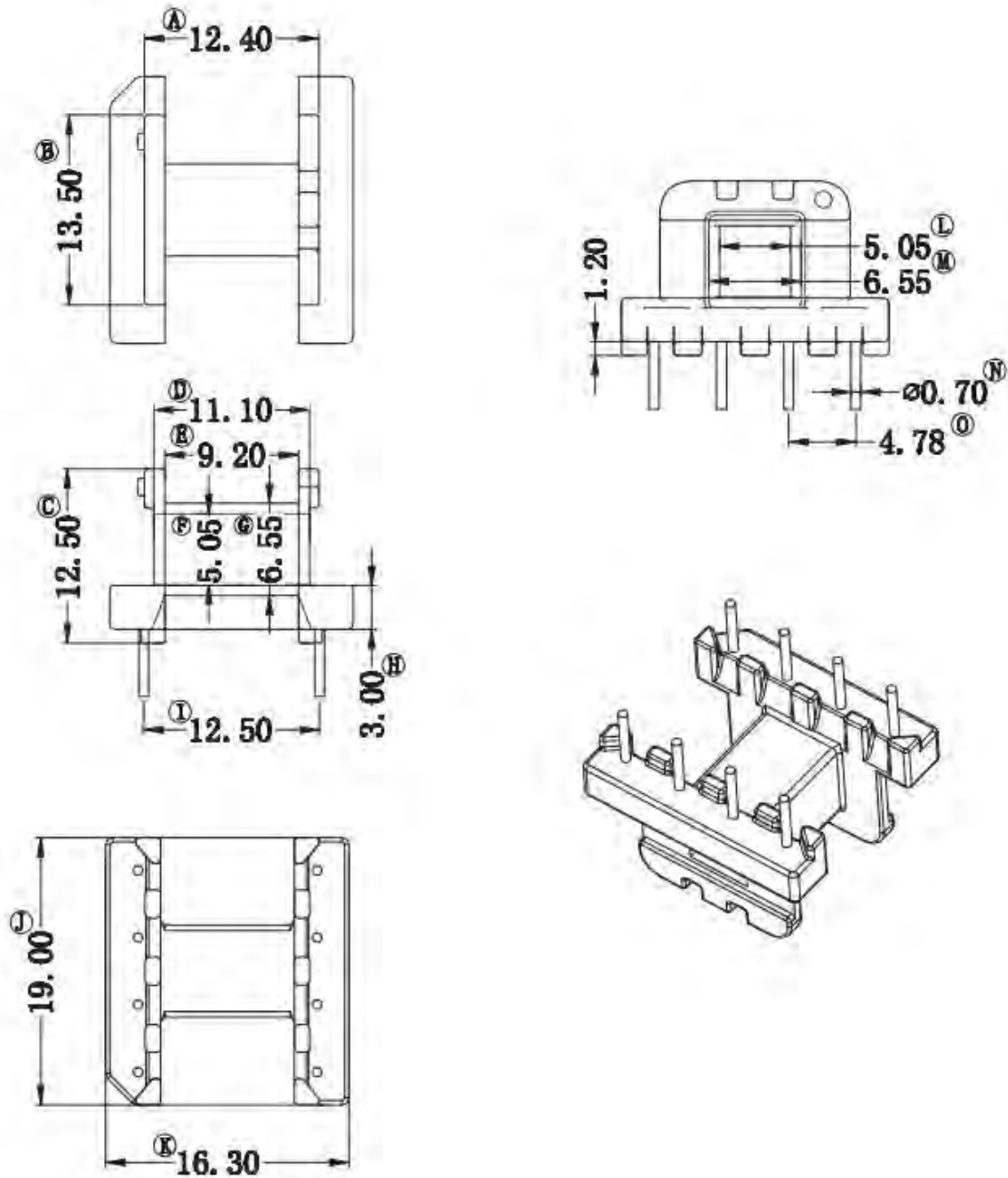
DRAFTED BY	TianXipeng	TOLERANCE		ANGLR: ±1°	MODEL NAME: EE-19H(5+2) PIN	
CHECKED BY	Jack Wang	0<L≤4 ±0.1 4<L≤16 ±0.2 16<L≤63 ±0.3	Pin pitch ±0.20	UNIT:MM	MATERIAL: PHENOLIC	UL REC: UL 94V-0
 SHANHOM ENTERPRISE CO.,LTD TEL: 029-87851838 FAX:029-87851840 Email: sales@shinhom.com.cn				SCALE: 1/1	TERMINAL MAT:CP WIRE	PIN TENSION LOAD: 1.0 KGS MIN
					DATE: 2014.3.28	DRAWING NO:


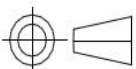


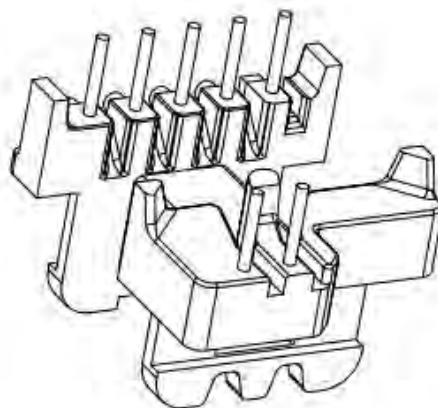
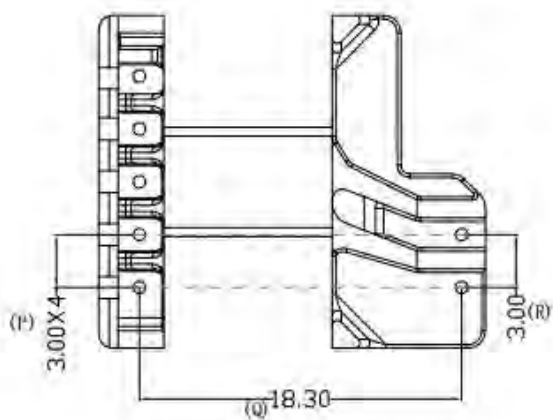
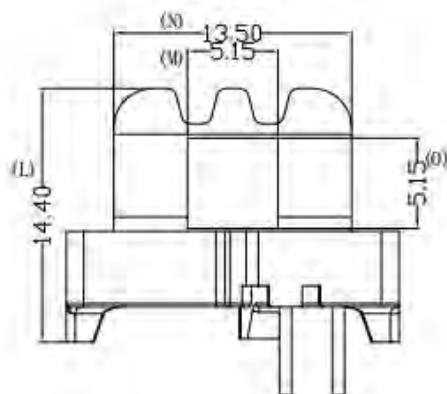
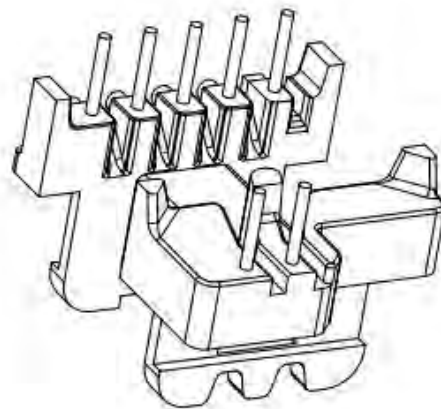
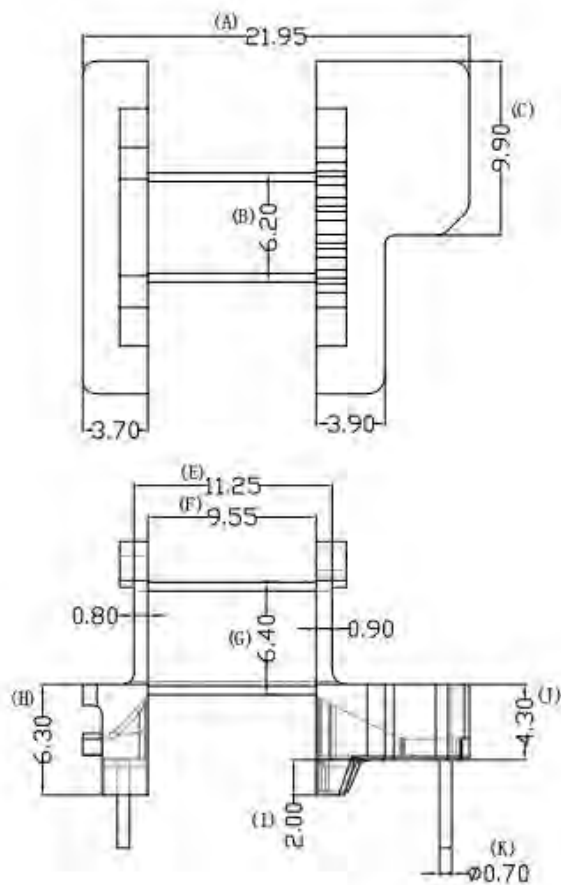
DRAFTED BY	TianXipeng	TOLERANCE		ANGLR: ±1°	MODEL NAME: EE-19H(4+4) PIN		
CHECKED BY	Jack Wang	0<L≤4 ±0.1 4<L≤16 ±0.2 16<L≤63 ±0.3	Pin pitch ±0.20	UNIT:MM	MATERIAL: PHENOLIC	UL REC: UL 94V-0	
 SHANHOM ENTERPRISE CO.,LTD TEL: 029-87851838 FAX:029-87851840 Email: sales@shinhom.com.cn				SCALE: 1/1	TERMINAL MAT:CP WIRE	PIN TENSION LOAD: 1.0 KGS MIN	
					DATE: 2014.03.28	DRAWING NO:	REV. A


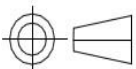


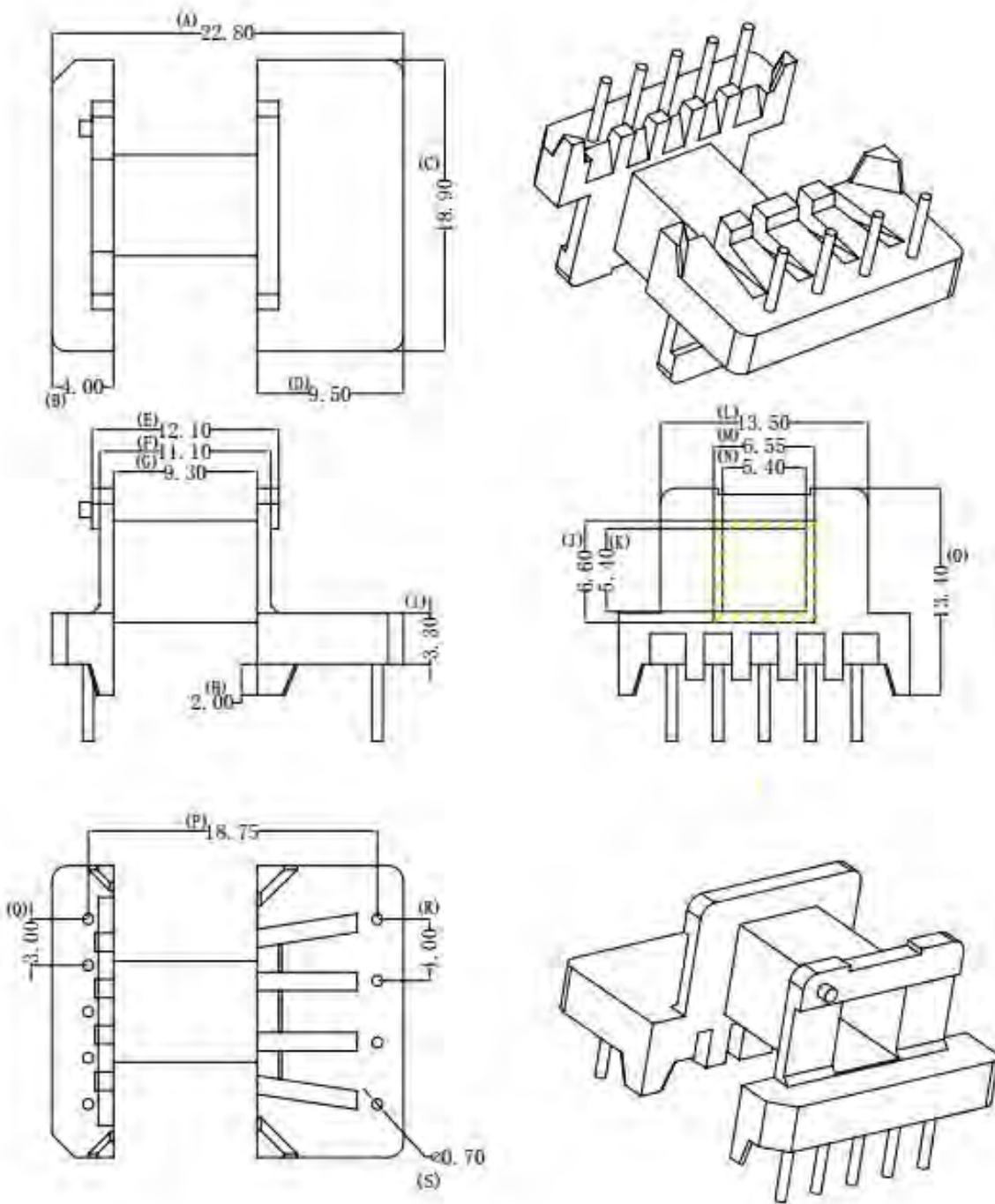
DRAFTED BY	TianXipeng	TOLERANCE		ANGLR: ±1°	MODEL NAME: EE-19H(5+5) PIN	
CHECKED BY	Jack Wang	0<L≤4 ±0.1 4<L≤16 ±0.2 16<L≤63 ±0.3	Pin pitch ±0.20	UNIT:MM	MATERIAL: PHENOLIC	UL REC: UL 94V-0
 SHANHOM SHAANXI SHINHOM ENTERPRISE CO.,LTD TEL: 029-87851838      FAX:029-87851840 Email: sales@shinhom.com.cn				SCALE: 1/1	TERMINAL MAT:CP WIRE	PIN TENSION LOAD: 1.0 KGS MIN
					DATE: 2014.03.28	DRAWING NO:


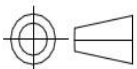


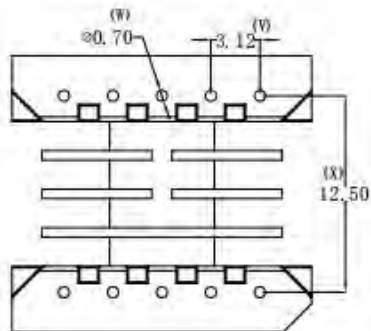
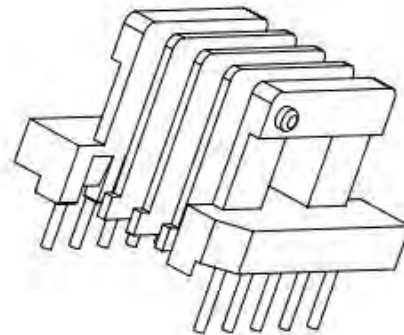
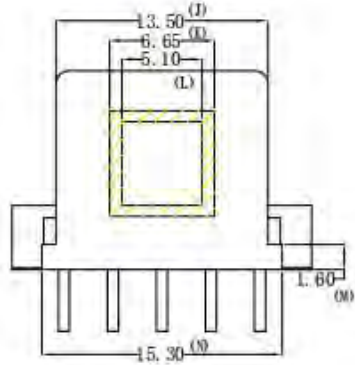
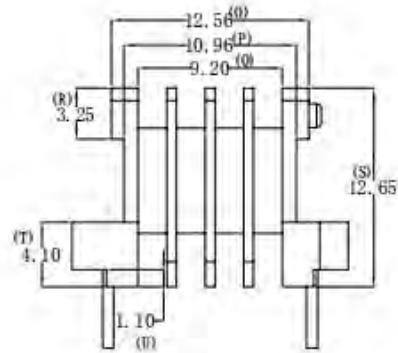
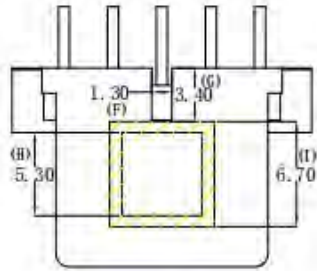
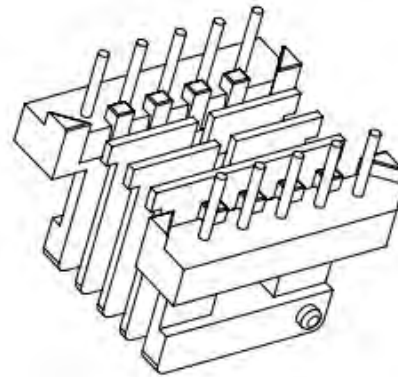
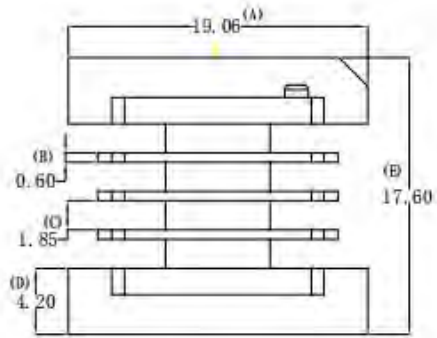
DRAFTED BY	TianXipeng	TOLERANCE		ANGLR: ±1°	MODEL NAME: EE-19H(4+4) PIN		
CHECKED BY	Jack Wang	0<L≤4 ±0.1 4<L≤16 ±0.2 16<L≤63 ±0.3	Pin pitch ±0.20	UNIT:MM	MATERIAL: PHENOLIC	UL REC: UL 94V-0	
 SHANHOM SHAANXI SHINHOM ENTERPRISE CO.,LTD TEL: 029-87851838      FAX:029-87851840 Email: sales@shinhom.com.cn				SCALE: 1/1	TERMINAL MAT:CP WIRE	PIN TENSION LOAD: 1.0 KGS MIN	
					DATE: 2014.03.28	DRAWING NO:	REV. A


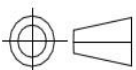


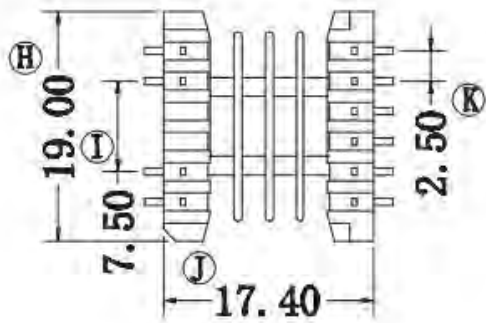
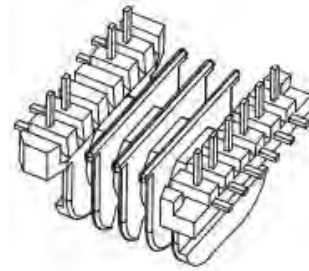
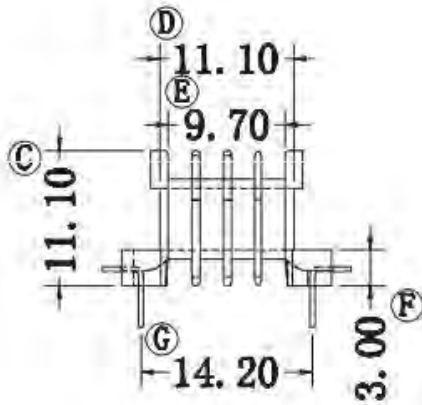
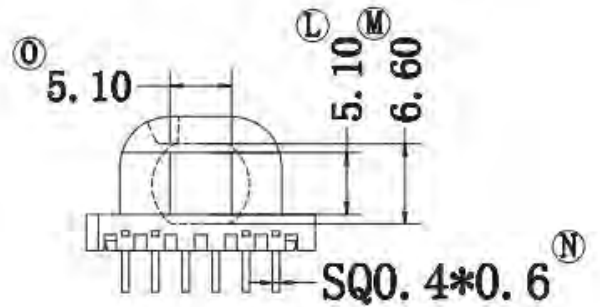
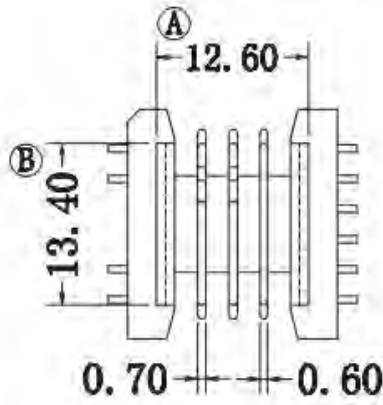
DRAFTED BY	TianXipeng	TOLERANCE		ANGLR: ±1°	MODEL NAME: EE-1916H(5+2) PIN		
CHECKED BY	Jack Wang	0<L≤4 ±0.1 4<L≤16 ±0.2 16<L≤63 ±0.3	Pin pitch ±0.20	UNIT:MM	MATERIAL: PHENOLIC	UL REC: UL 94V-0	
 SHANHOM ENTERPRISE CO.,LTD TEL: 029-87851838 FAX:029-87851840 Email: sales@shinhom.com.cn				SCALE: 1/1	TERMINAL MAT:CP WIRE	PIN TENSION LOAD: 1.0 KGS MIN	
					DATE: 2015.01.15	DRAWING NO:	REV. A


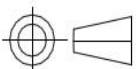


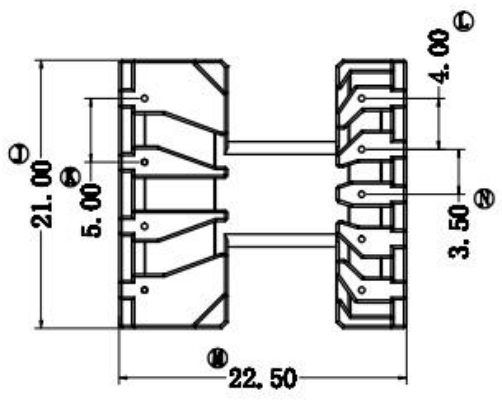
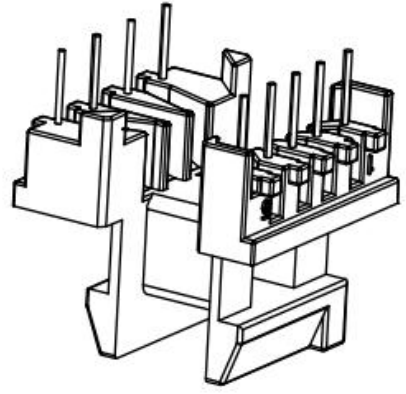
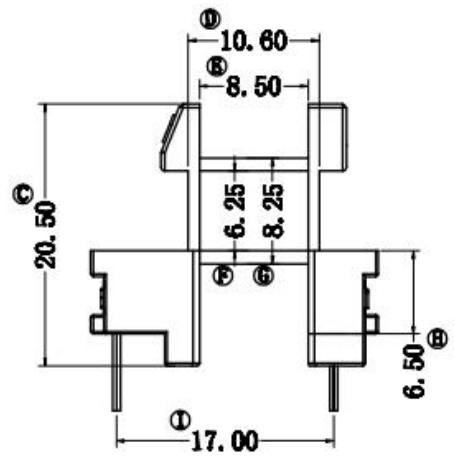
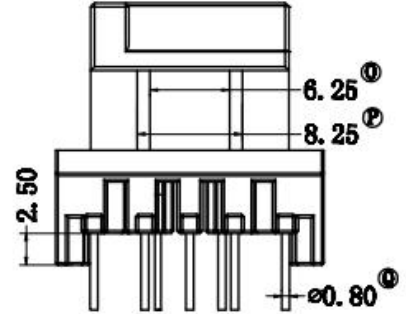
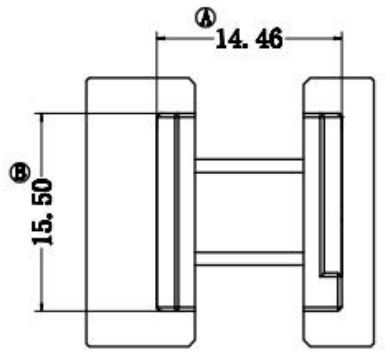
DRAFTED BY	TianXipeng	TOLERANCE		ANGLR: ±1°	MODEL NAME: EE-19H(5+4) PIN		
CHECKED BY	Jack Wang	0<L≤4 ±0.1 4<L≤16 ±0.2 16<L≤63 ±0.3	Pin pitch ±0.20	UNIT:MM	MATERIAL: PHENOLIC	UL REC: UL 94V-0	
 SHINHOM	SHAANXI SHINHOM ENTERPRISE CO.,LTD TEL: 029-87851838      FAX:029-87851840 Email: sales@shinhom.com.cn			SCALE: 1/1	TERMINAL MAT:CP WIRE	PIN TENSION LOAD: 1.0 KGS MIN	
						DATE: 2014.3.28	DRAWING NO:


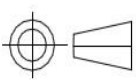


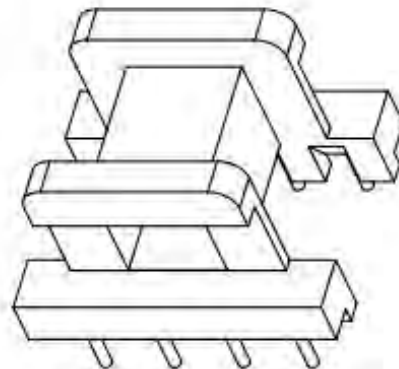
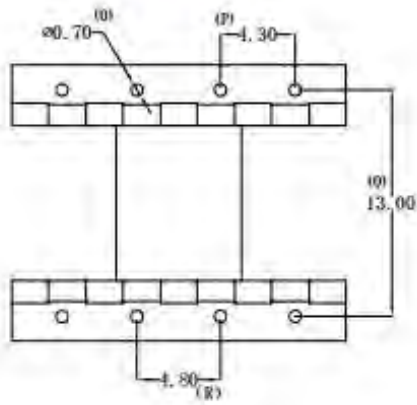
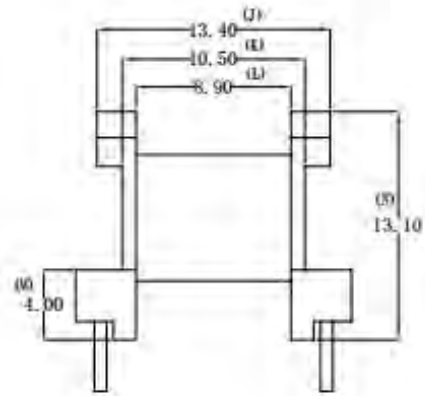
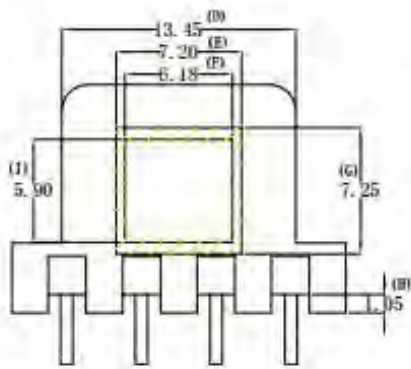
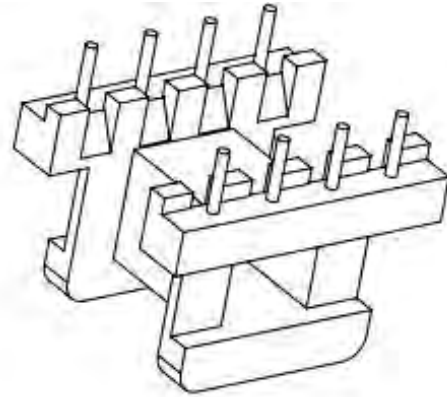
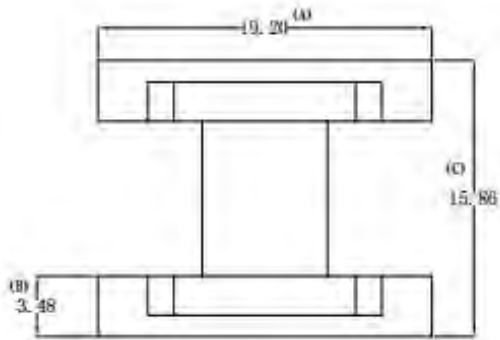
DRAFTED BY	TianXipeng	TOLERANCE		ANGLR: ±1°	MODEL NAME: EE-19H(4SEC5+5) PIN		
CHECKED BY	Jack Wang	0<L≤4 ±0.1 4<L≤16 ±0.2 16<L≤63 ±0.3	Pin pitch ±0.20	UNIT:MM	MATERIAL: PHENOLIC	UL REC: UL 94V-0	
 SHINHOM	SHAANXI SHINHOM ENTERPRISE CO.,LTD TEL: 029-87851838      FAX:029-87851840 Email: sales@shinhom.com.cn			SCALE: 1/1	TERMINAL MAT:CP WIRE	PIN TENSION LOAD: 1.0 KGS MIN	
						DATE: 2015.05.15	DRAWING NO:


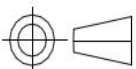


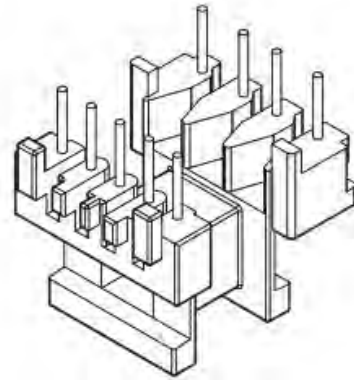
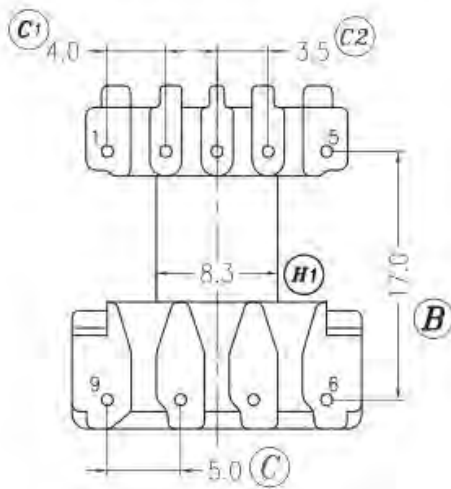
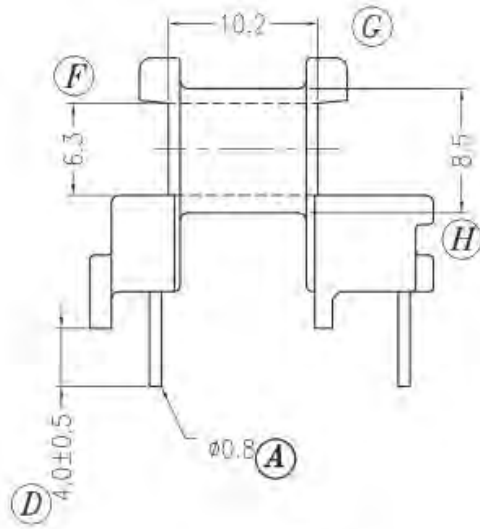
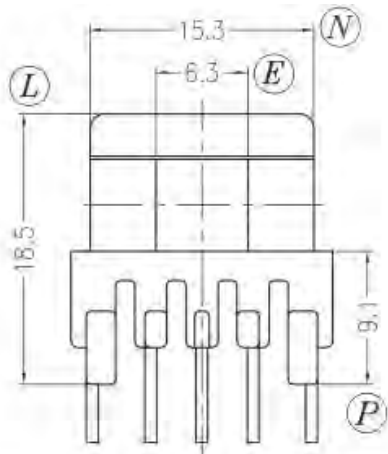
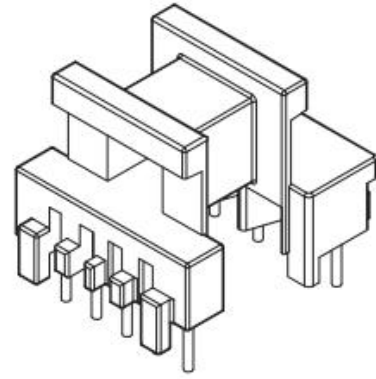
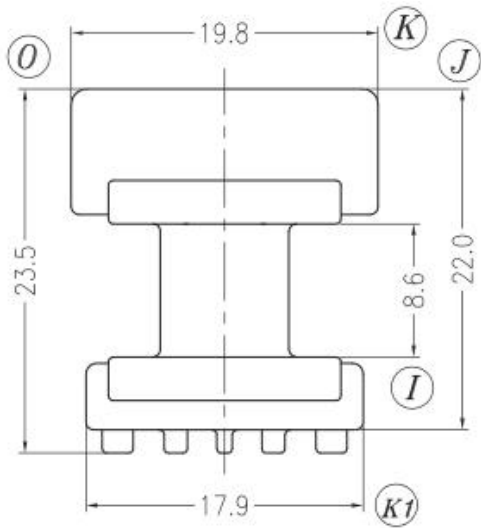
DRAFTED BY	TianXipeng	TOLERANCE		ANGLR: ±1°	MODEL NAME: EE-19H(4SEC6+4) PIN		
CHECKED BY	Jack Wang	0<L≤4 ±0.1 4<L≤16 ±0.2 16<L≤63 ±0.3	Pin pitch ±0.20	UNIT:MM	MATERIAL: PHENOLIC	UL REC: UL 94V-0	
 SHANHOM ENTERPRISE CO.,LTD TEL: 029-87851838 FAX:029-87851840 Email: sales@shinhom.com.cn				SCALE: 1/1	TERMINAL MAT:CP WIRE	PIN TENSION LOAD: 1.0 KGS MIN	
					DATE: 2015.01.15	DRAWING NO:	REV. A


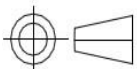


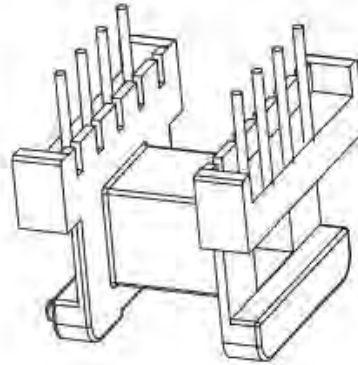
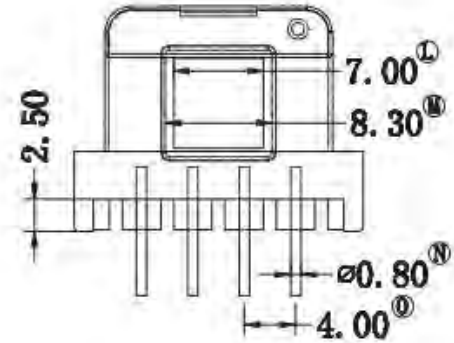
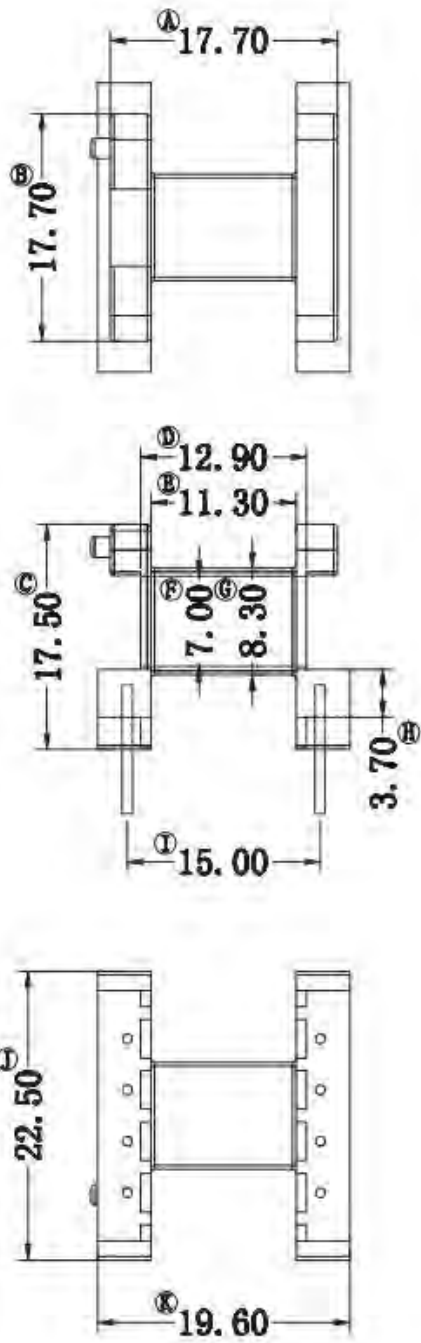
DRAFTED BY	TianXipeng	TOLERANCE		ANGLR: ±1°	MODEL NAME: EE-22 H (4+5) PIN	
CHECKED BY	Jack Wang	0<L≤4 ±0.1 4<L≤16 ±0.2 16<L≤63 ±0.3	Pin pitch ±0.20	UNIT:MM	MATERIAL: PHENOLIC	UL REC: UL 94V-0
 SHANHOM ENTERPRISE CO.,LTD TEL: 029-87851838 FAX:029-87851840 Email: sales@shinhom.com.cn				SCALE: 1/1	TERMINAL MAT:CP WIRE	PIN TENSION LOAD: 1.0 KGS MIN
					DATE: 2018.05	DRAWING NO:


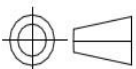


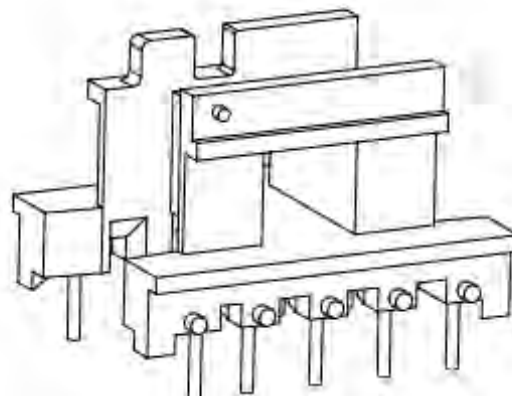
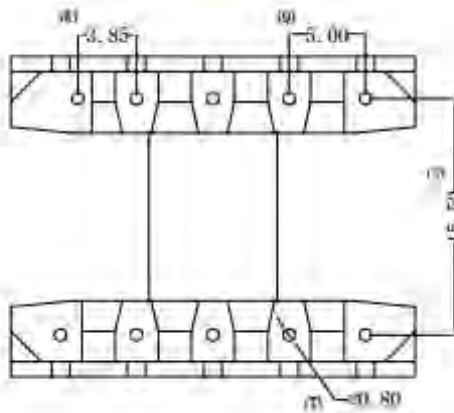
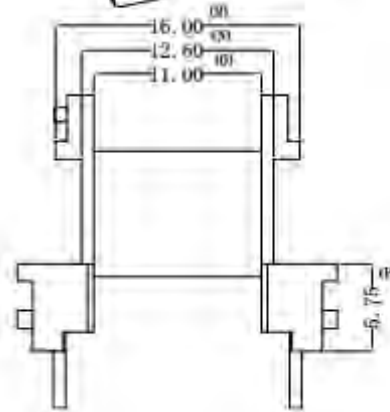
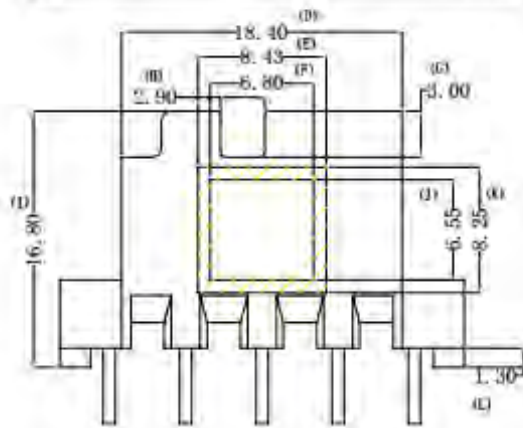
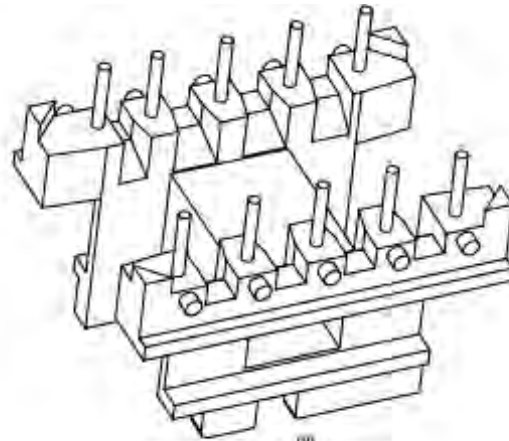
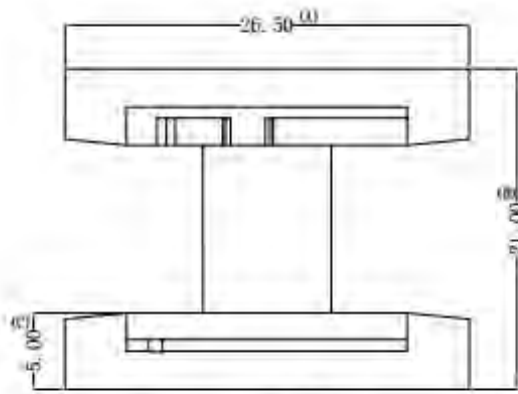
DRAFTED BY	TianXipeng	TOLERANCE		ANGLR: ±1°	MODEL NAME: EE-22H(4+4) PIN	
CHECKED BY	Jack Wang	0<L≤4 ±0.1 4<L≤16 ±0.2 16<L≤63 ±0.3	Pin pitch ±0.20	UNIT:MM	MATERIAL: PHENOLIC	UL REC: UL 94V-0
 SHANHOM SHAANXI SHINHOM ENTERPRISE CO.,LTD TEL: 029-87851838      FAX:029-87851840 Email: sales@shinhom.com.cn				SCALE: 1/1	TERMINAL MAT:CP WIRE	PIN TENSION LOAD: 1.0 KGS MIN
					DATE: 2015.05.15	DRAWING NO:


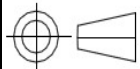


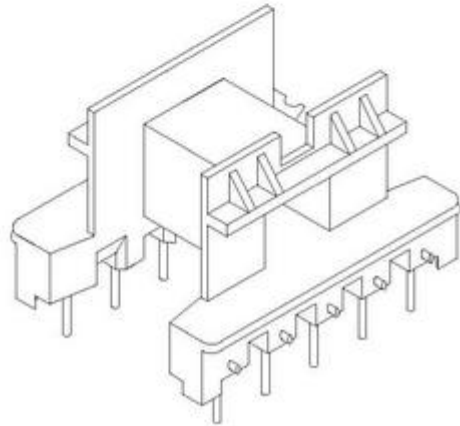
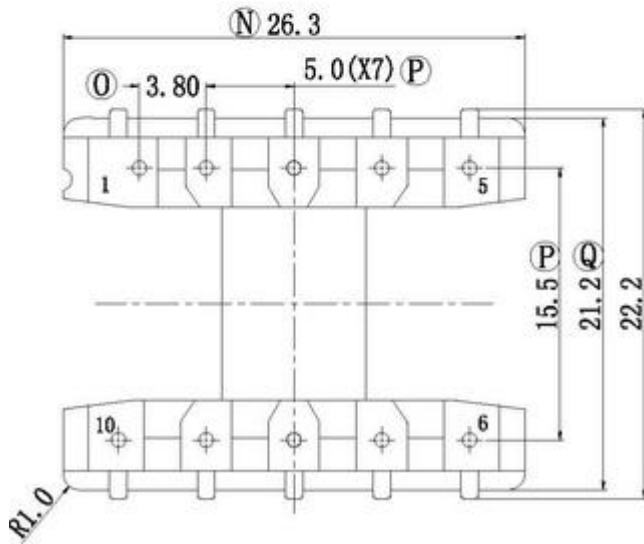
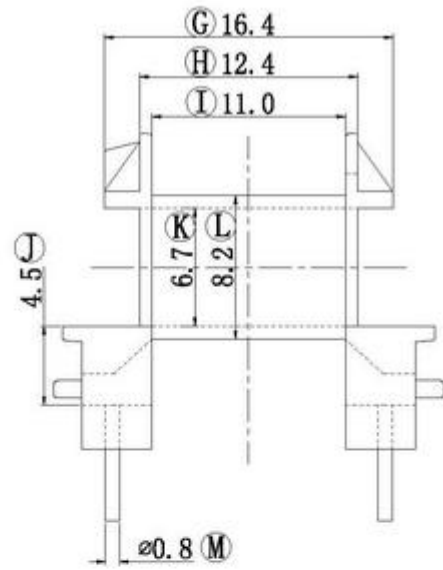
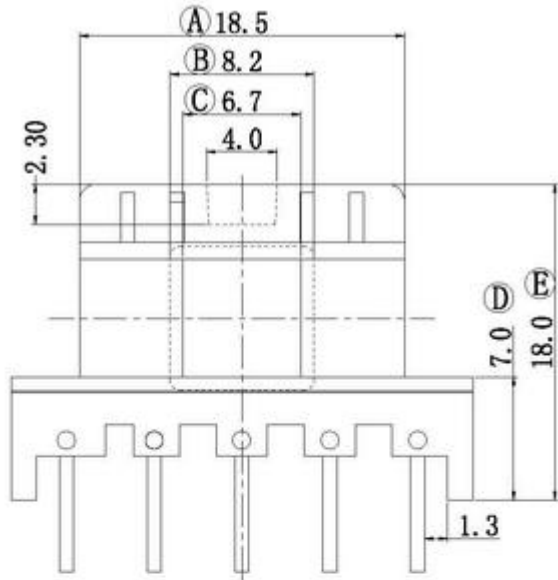
DRAFTED BY	TianXipeng	TOLERANCE		ANGLR: ±1°	MODEL NAME: EE-22H(5+4) PIN		
CHECKED BY	Jack Wang	0<L≤4 ±0.1 4<L≤16 ±0.2 16<L≤63 ±0.3	Pin pitch ±0.20	UNIT:MM	MATERIAL: PHENOLIC	UL REC: UL 94V-0	
 SHINHOM	SHAANXI SHINHOM ENTERPRISE CO.,LTD TEL: 029-87851838      FAX:029-87851840 Email: sales@shinhom.com.cn			SCALE: 1/1	TERMINAL MAT:CP WIRE	PIN TENSION LOAD: 1.0 KGS MIN	
						DATE: 2015.05.15	DRAWING NO:


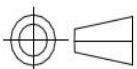


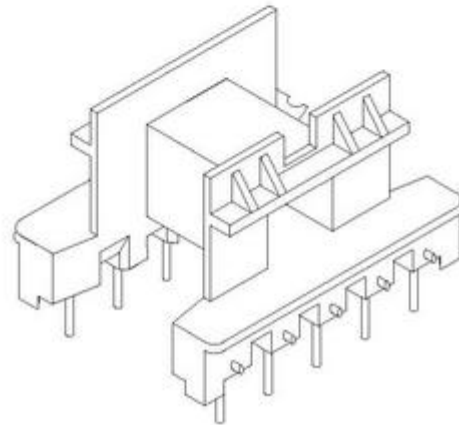
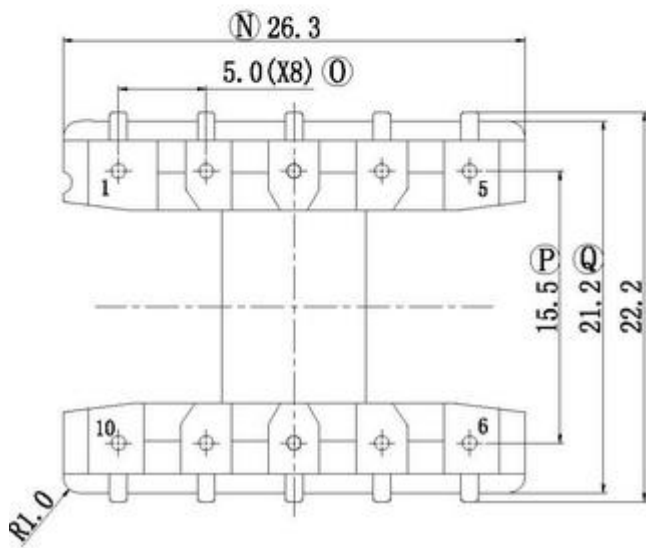
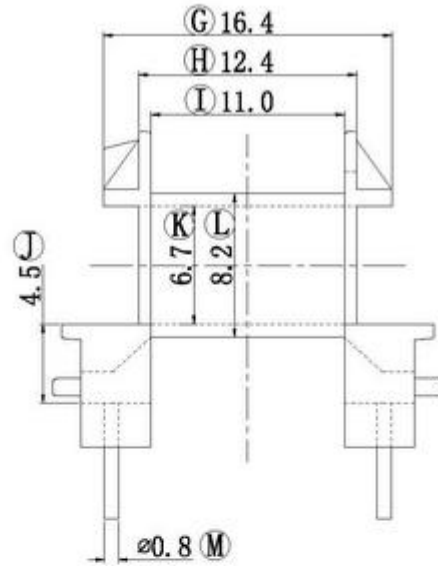
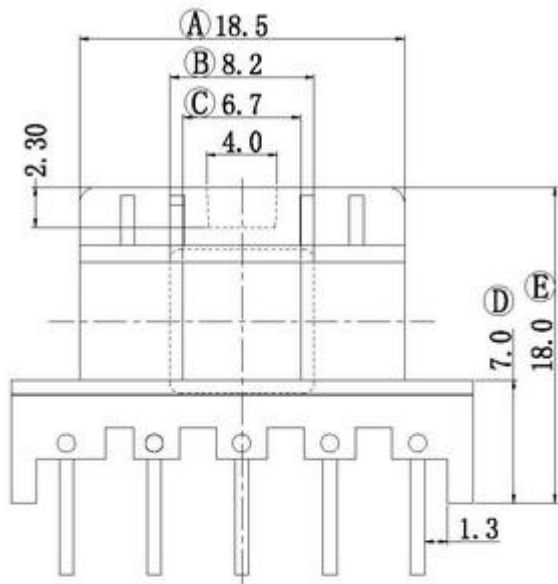
DRAFTED BY	TianXipeng	TOLERANCE		ANGLR: ±1°	MODEL NAME: EE-25H(4+4) PIN		
CHECKED BY	Jack Wang	0<L≤4 ±0.1 4<L≤16 ±0.2 16<L≤63 ±0.3	Pin pitch ±0.20	UNIT:MM	MATERIAL: PHENOLIC	UL REC: UL 94V-0	
 SHANHOM SHAANXI SHINHOM ENTERPRISE CO.,LTD TEL: 029-87851838      FAX:029-87851840 Email: sales@shinhom.com.cn				SCALE: 1/1	TERMINAL MAT:CP WIRE	PIN TENSION LOAD: 1.0 KGS MIN	
					DATE: 2014.03.28	DRAWING NO:	REV. A


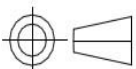


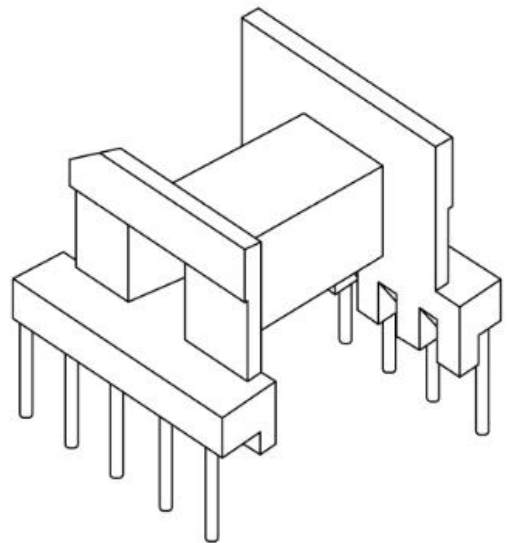
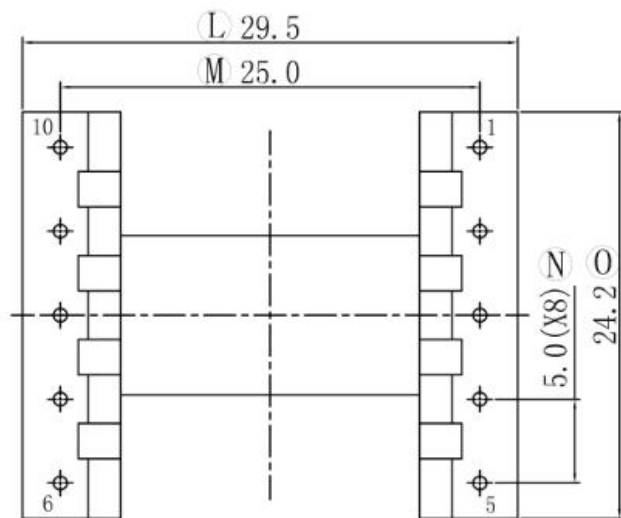
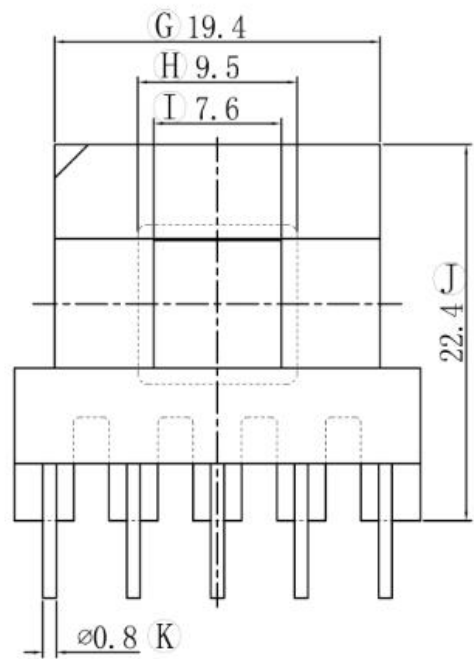
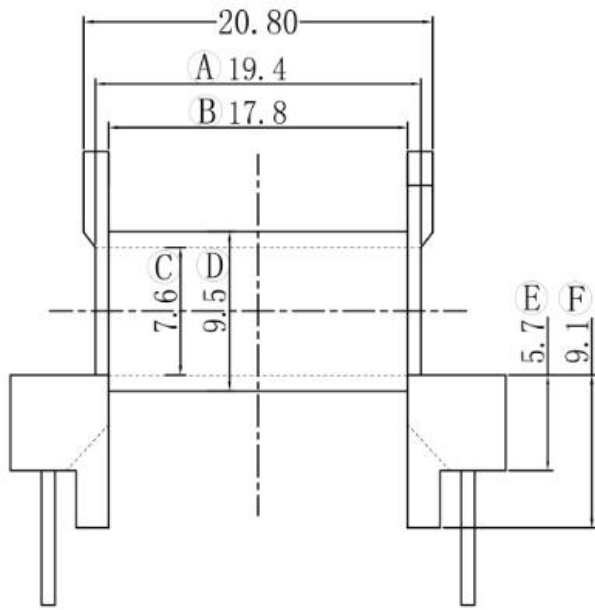
DRAFTED BY	TianXipeng	TOLERANCE		ANGLR: ±1°	MODEL NAME: EE-25H(5+5) PIN	
CHECKED BY	Jack Wang	0<L≤4 ±0.1 4<L≤16 ±0.2 16<L≤63 ±0.3	Pin pitch ±0.20	UNIT:MM	MATERIAL: PHENOLIC	UL REC: UL 94V-0
 SHANHOM ENTERPRISE CO.,LTD TEL: 029-87851838 FAX:029-87851840 Email: sales@shinhom.com.cn				SCALE: 1/1	TERMINAL MAT:CP WIRE	PIN TENSION LOAD: 1.0 KGS MIN
					DATE: 2014.03.28	DRAWING NO:


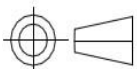


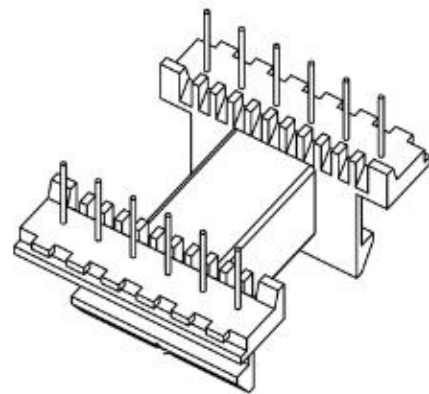
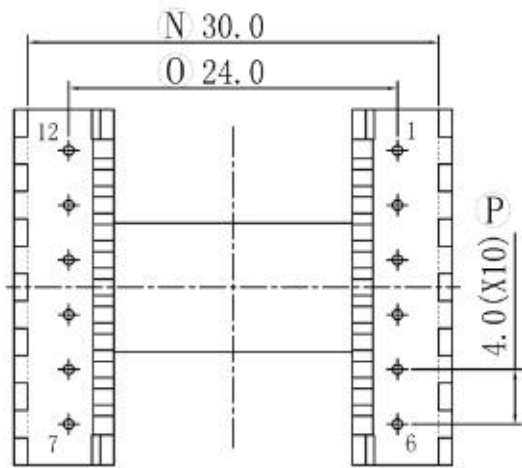
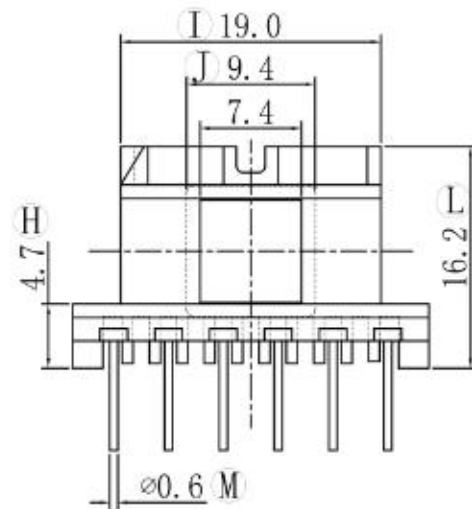
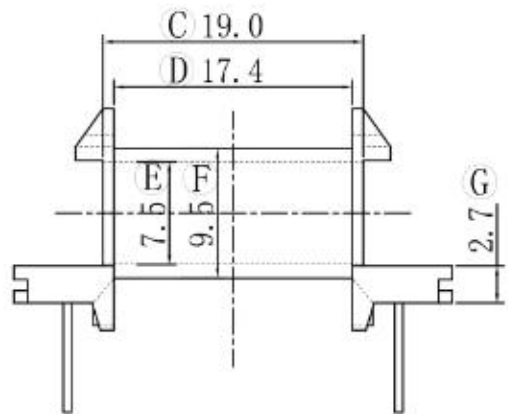
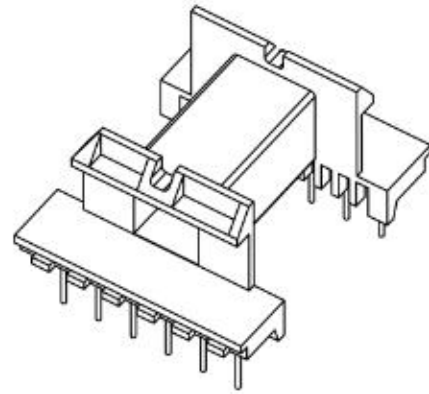
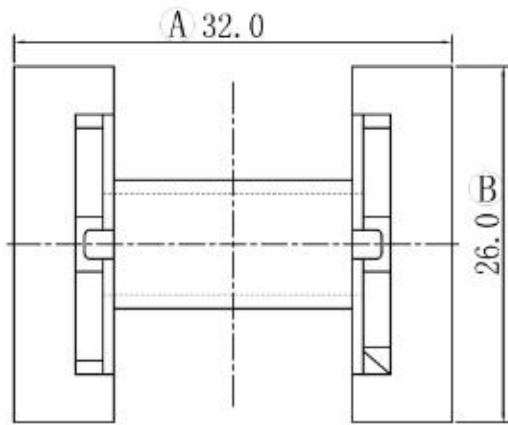
DRAFTED BY	TianXipeng	TOLERANCE		ANGLR: ±1°	MODEL NAME: EE-25H(5+5) PIN	
CHECKED BY	Jack Wang	0<L≤4 ±0.1 4<L≤16 ±0.2 16<L≤63 ±0.3	Pin pitch ±0.20	UNIT:MM	MATERIAL: PHENOLIC	UL REC: UL 94V-0
 SHINHOM	SHAANXI SHINHOM ENTERPRISE CO.,LTD TEL: 029-87851838      FAX:029-87851840 Email: sales@shinhom.com.cn			SCALE: 1/1	TERMINAL MAT:CP WIRE	PIN TENSION LOAD: 1.0 KGS MIN
					DATE: 2014.03.28	DRAWING NO:


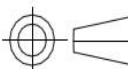


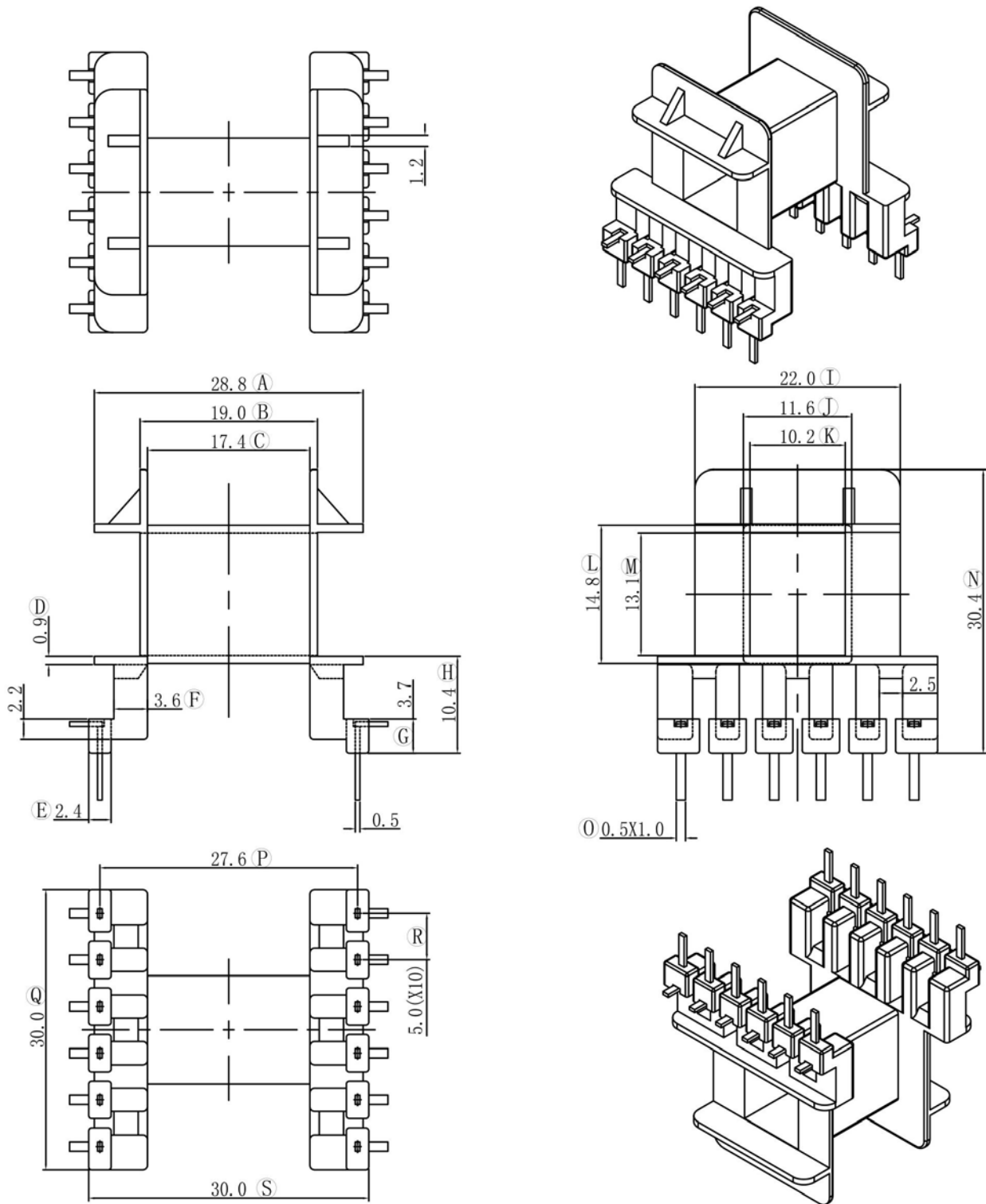
DRAFTED BY	TianXipeng	TOLERANCE		ANGLR: $\pm 1^\circ$	MODEL NAME: EE-25H(5+5) PIN	
CHECKED BY	Jack Wang	0<L≤4 ±0.1 4<L≤16 ±0.2 16<L≤63 ±0.3	Pin pitch ±0.20	UNIT:MM	MATERIAL: PHENOLIC	UL REC: UL 94V-0
 SHINHOM	SHAANXI SHINHOM ENTERPRISE CO.,LTD TEL: 029-87851838      FAX:029-87851840 Email: sales@shinhom.com.cn			SCALE: 1/1	TERMINAL MAT:CP WIRE	PIN TENSION LOAD: 1.0 KGS MIN
					DATE: 2014.03.28	DRAWING NO:


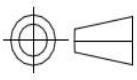


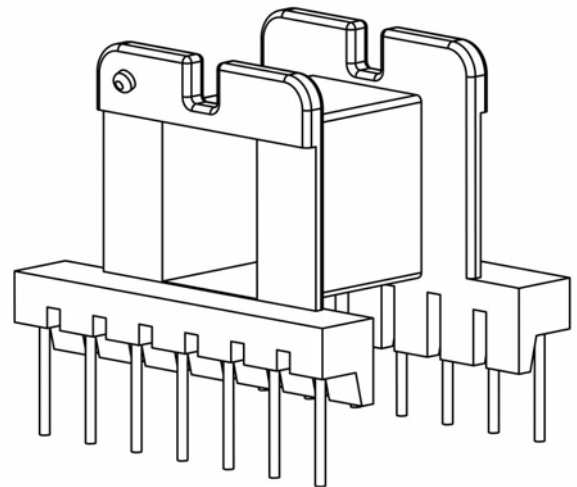
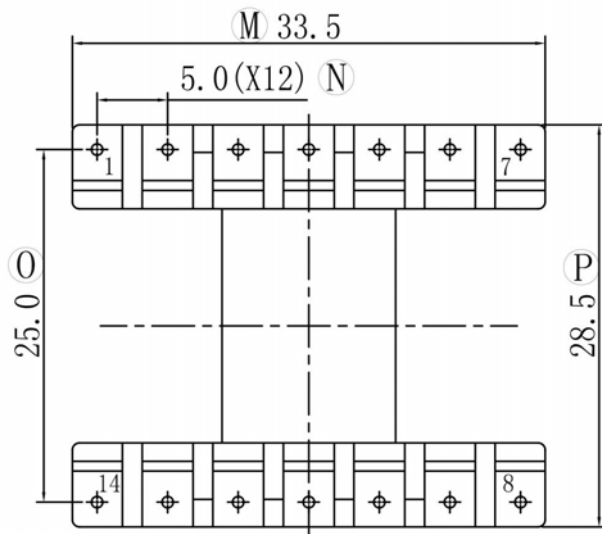
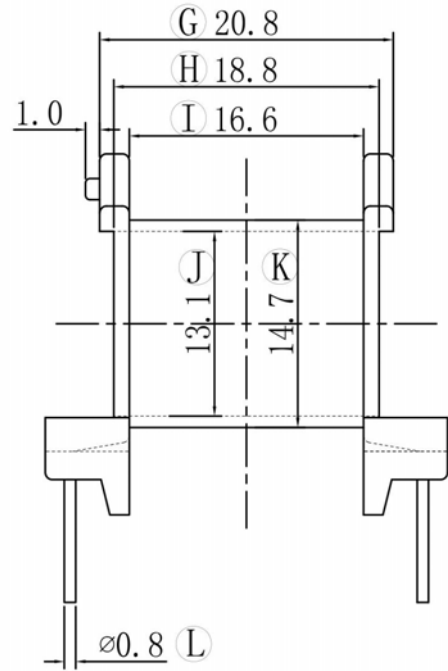
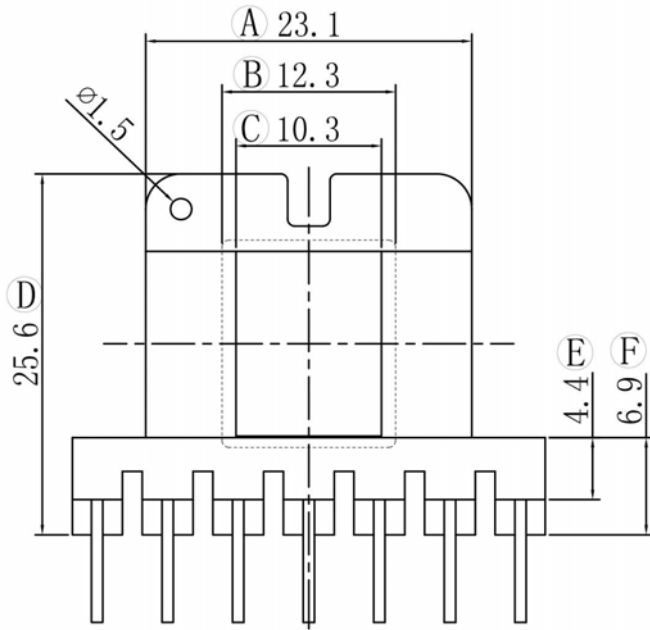
DRAFTED BY	TianXipeng	TOLERANCE		ANGLR: $\pm 1^\circ$	MODEL NAME: EE-30H(5+5) PIN	
CHECKED BY	Jack Wang	$0 < L \leq 4 \pm 0.1$ $4 < L \leq 16 \pm 0.2$ $16 < L \leq 63 \pm 0.3$	Pin pitch $\pm 0.20$	UNIT:MM	MATERIAL: PHENOLIC	UL REC: UL 94V-0
 SHINHOM	SHAANXI SHINHOM ENTERPRISE CO.,LTD TEL: 029-87851838      FAX:029-87851840 Email: sales@shinhom.com.cn			SCALE: 1/1	TERMINAL MAT:CP WIRE	PIN TENSION LOAD: 1.0 KGS MIN
					DATE: 2014.03.28	DRAWING NO:


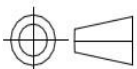


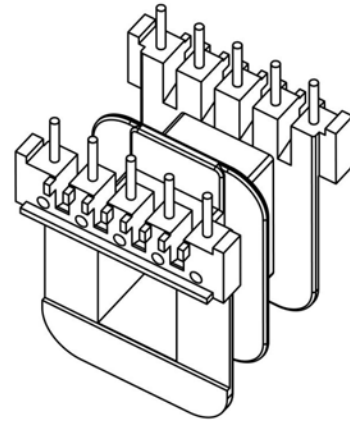
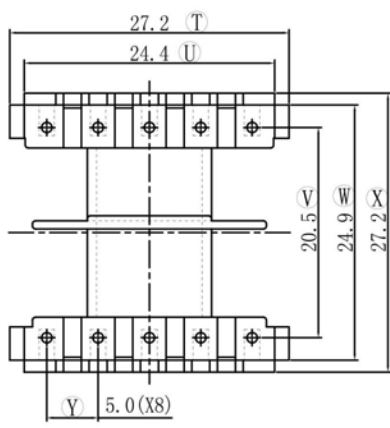
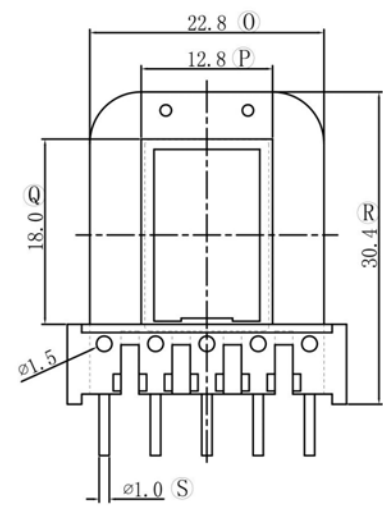
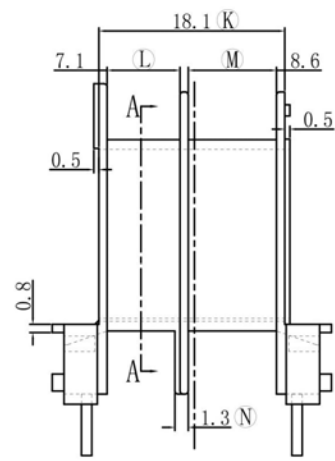
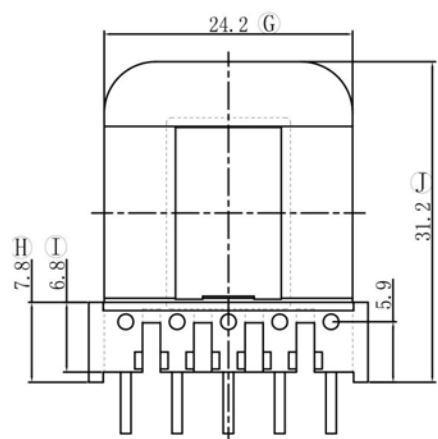
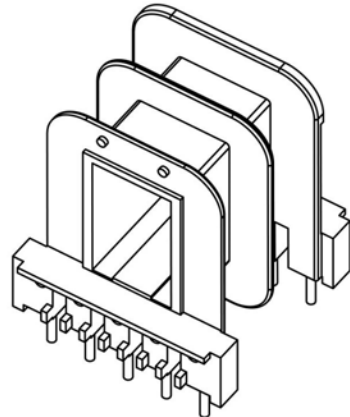
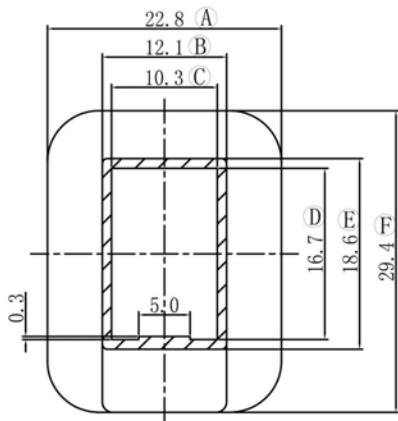
DRAFTED BY	TianXipeng	TOLERANCE		ANGLR: ±1°	MODEL NAME: EE-30H(6+6) PIN	
CHECKED BY	Jack Wang	0<L≤4 ±0.1 4<L≤16 ±0.2 16<L≤63 ±0.3	Pin pitch ±0.20	UNIT:MM	MATERIAL: PHENOLIC	UL REC: UL 94V-0
 SHINHOM	SHAANXI SHINHOM ENTERPRISE CO.,LTD TEL: 029-87851838      FAX:029-87851840 Email: sales@shinhom.com.cn			SCALE: 1/1	TERMINAL MAT:CP WIRE	PIN TENSION LOAD: 1.0 KGS MIN
			DATE: 2014.03.28	DRAWING NO:	REV. A	


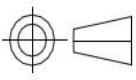


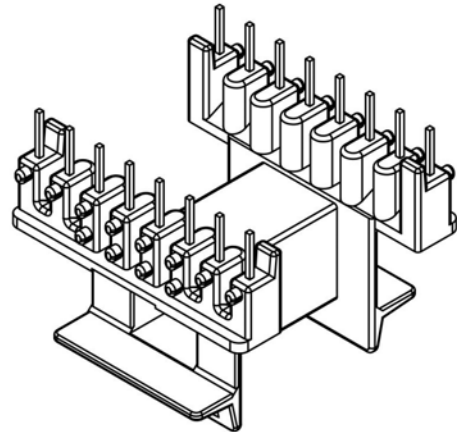
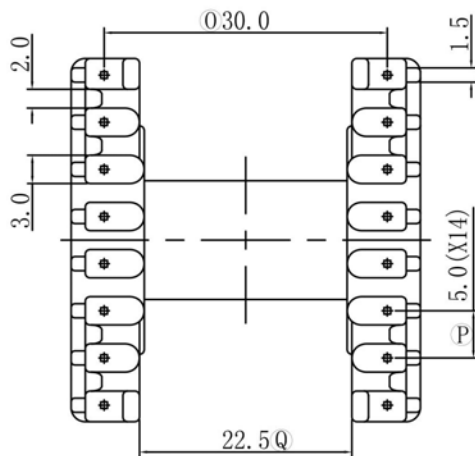
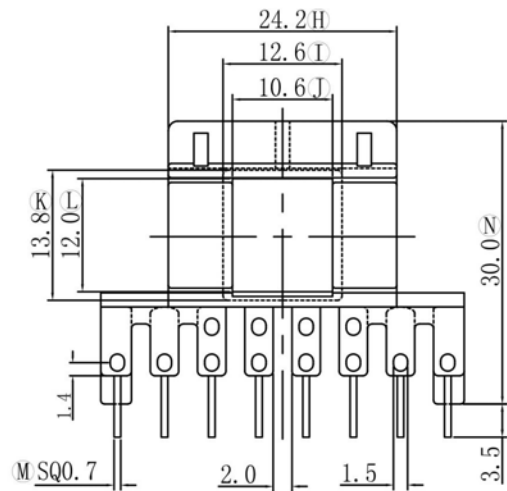
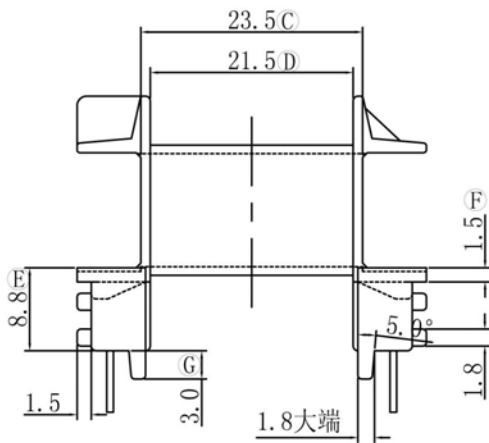
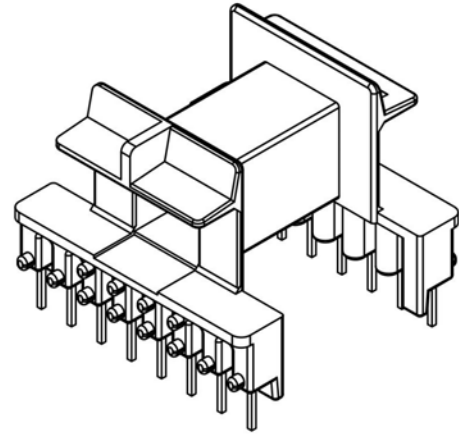
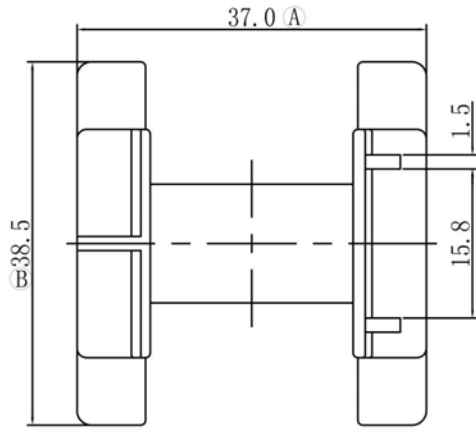
DRAFTED BY	TianXipeng	TOLERANCE		ANGLR: ±1°	MODEL NAME: EE-32H(6+6) PIN		
CHECKED BY	Jack Wang	0<L≤4 ±0.1 4<L≤16 ±0.2 16<L≤63 ±0.3	Pin pitch ±0.20	UNIT:MM	MATERIAL: PET	UL REC: UL 94V-0	
 SHANHOM ENTERPRISE CO.,LTD TEL: 029-87851838 FAX:029-87851840 Email: sales@shinhom.com.cn				SCALE: 1/1	TERMINAL MAT:CP WIRE	PIN TENSION LOAD: 1.0 KGS MIN	
					DATE: 2014.03.28	DRAWING NO:	REV. A


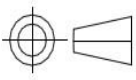


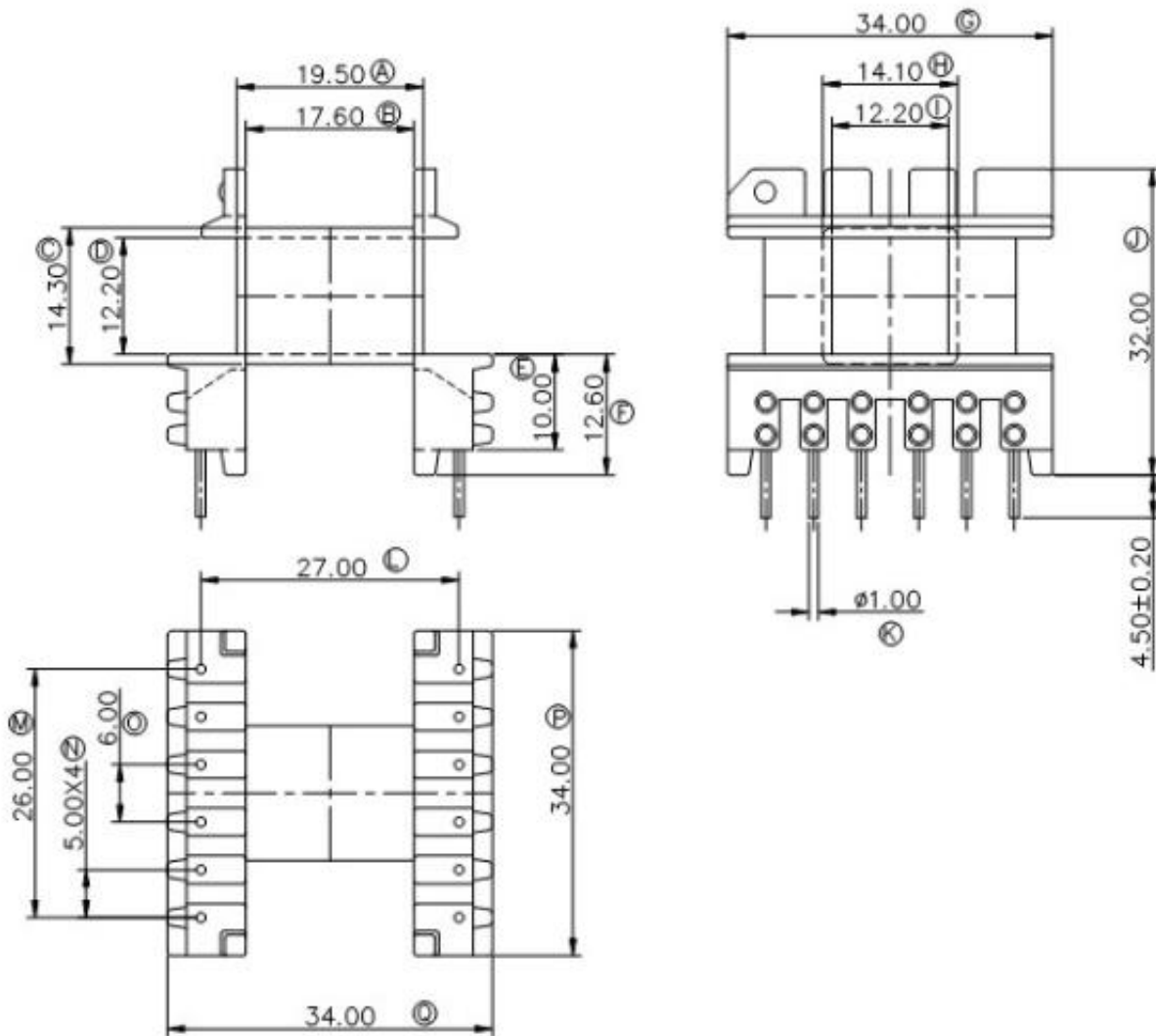
DRAFTED BY	TianXipeng	TOLERANCE		ANGLR: $\pm 1^\circ$	MODEL NAME: EE-33H(7+7) PIN	
CHECKED BY	Jack Wang	0<L≤4 ±0.1 4<L≤16 ±0.2 16<L≤63 ±0.3	Pin pitch ±0.20	UNIT:MM	MATERIAL: PHENOLIC	UL REC: UL 94V-0
 SHINHOM	SHAANXI SHINHOM ENTERPRISE CO.,LTD TEL: 029-87851838 FAX:029-87851840 Email: sales@shinhom.com.cn			SCALE: 1/1	TERMINAL MAT:CP WIRE	PIN TENSION LOAD: 1.0 KGS MIN
					DATE: 2014.03.28	DRAWING NO:


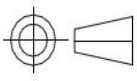


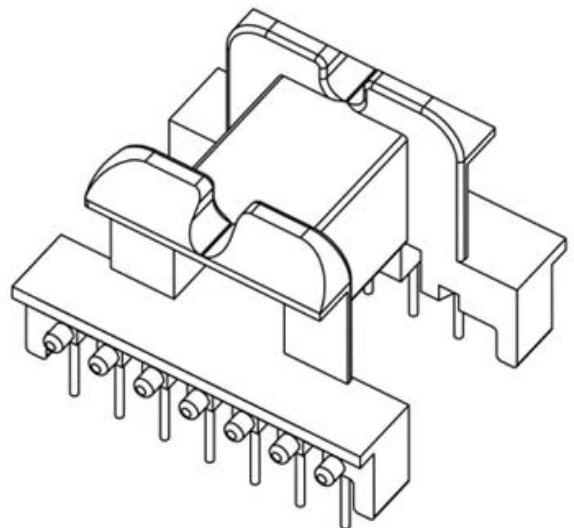
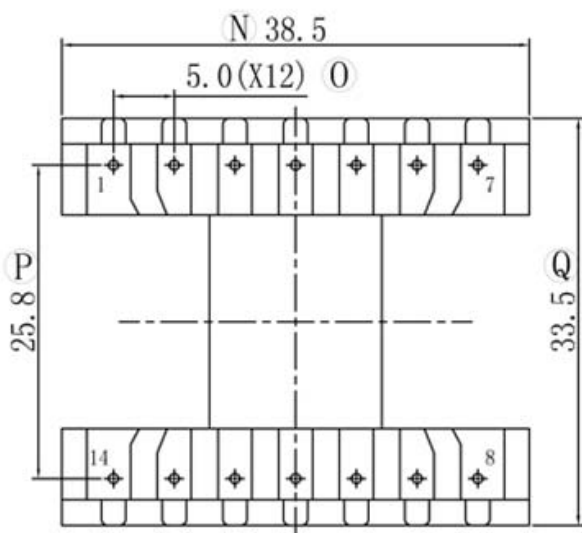
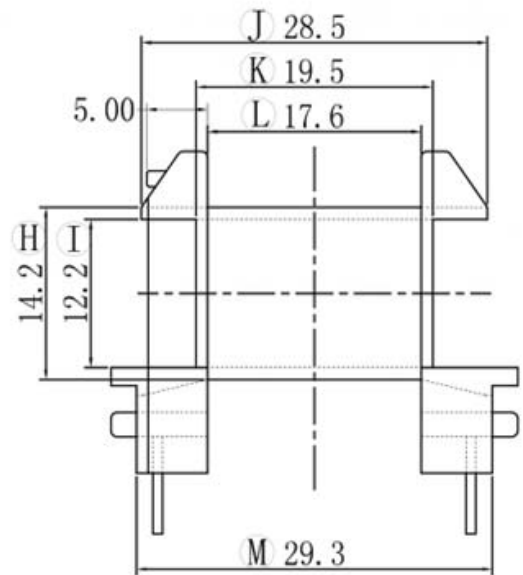
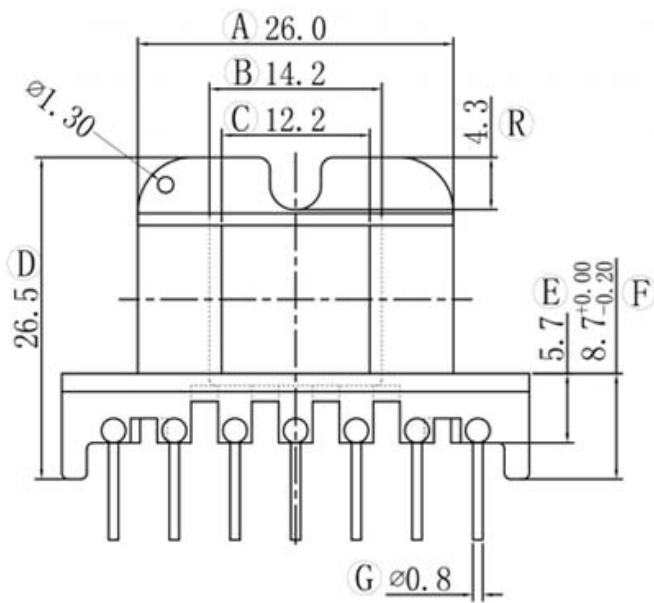
DRAFTED BY	TianXipeng	TOLERANCE		ANGLR: ±1°	MODEL NAME: EI-35H(2SEC5+5) PIN		
CHECKED BY	Jack Wang	0<L≤4 ±0.1	Pin pitch ±0.20	UNIT:MM	MATERIAL: PBT	UL REC: UL 94V-0	
		4<L≤16 ±0.2					
		16<L≤63 ±0.3			TERMINAL MAT:CP WIRE	PIN TENSION LOAD: 1.0 KGS MIN	
 SHANHOM ENTERPRISE CO.,LTD TEL: 029-87851838 FAX:029-87851840 Email: sales@shinhom.com.cn				SCALE: 1/1	DATE: 2014.03.28	DRAWING NO:	REV. A
							


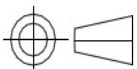


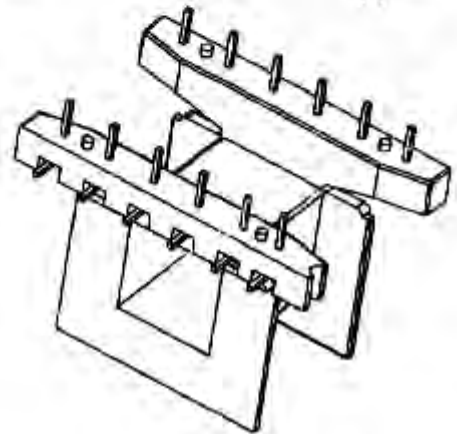
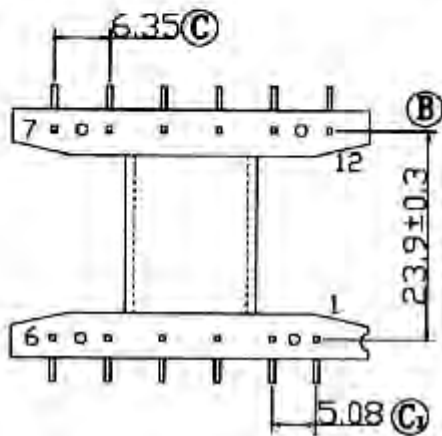
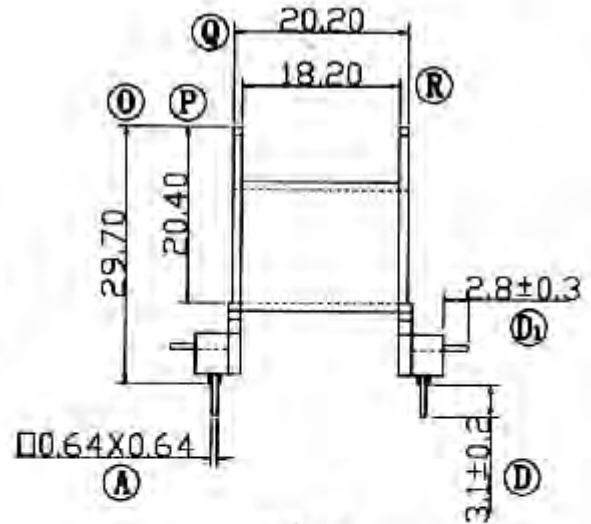
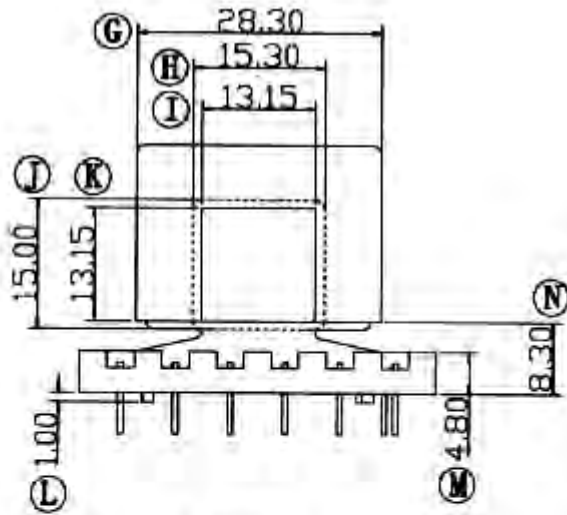
DRAFTED BY	TianXipeng	TOLERANCE		ANGLR: ±1°	MODEL NAME: EE-36H(8+8) PIN		
CHECKED BY	Jack Wang	0<L≤4 ±0.1 4<L≤16 ±0.2 16<L≤63 ±0.3	Pin pitch ±0.20	UNIT:MM	MATERIAL: PHENOLIC	UL REC: UL 94V-0	
 SHINHOM	SHAANXI SHINHOM ENTERPRISE CO.,LTD TEL: 029-87851838      FAX:029-87851840 Email: sales@shinhom.com.cn			SCALE: 1/1	TERMINAL MAT:CP WIRE	PIN TENSION LOAD: 1.0 KGS MIN	
						DATE: 2014.03.28	DRAWING NO:


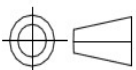


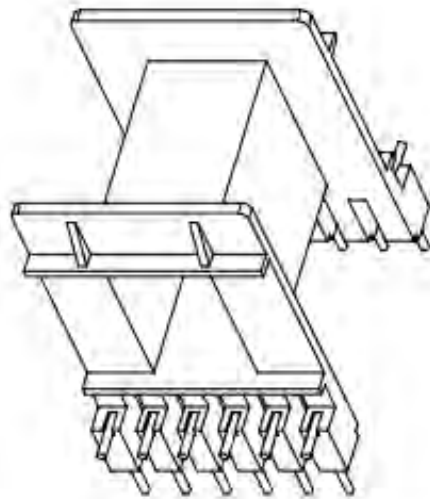
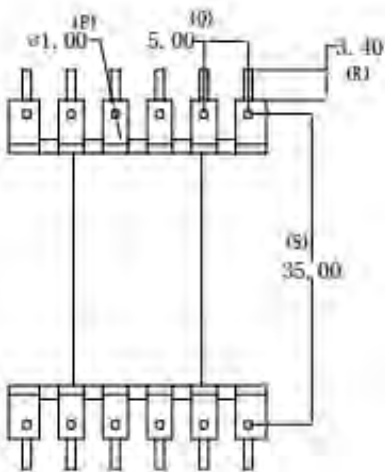
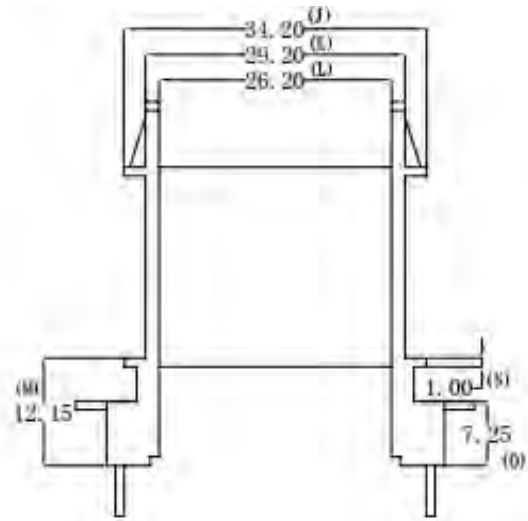
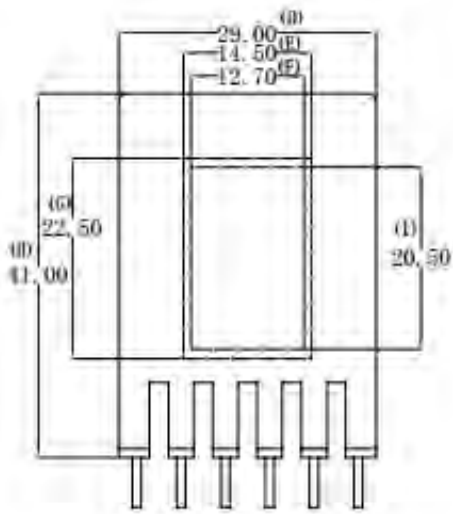
DRAFTED BY	TianXipeng	TOLERANCE		ANGLR: ±1°	MODEL NAME: EE-40 H (6+6) PIN	
CHECKED BY	Jack Wang	0<L≤4 ±0.1 4<L≤16 ±0.2 16<L≤63 ±0.3	Pin pitch ±0.20	UNIT:MM	MATERIAL: PHENOLIC	UL REC: UL 94V-0
 SHANHOM ENTERPRISE CO.,LTD TEL: 029-87851838 FAX:029-87851840 Email: sales@shinhom.com.cn				SCALE: 1/1	TERMINAL MAT:CP WIRE	PIN TENSION LOAD: 1.0 KGS MIN
					DATE: 2014.03.28	DRAWING NO:


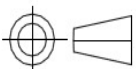


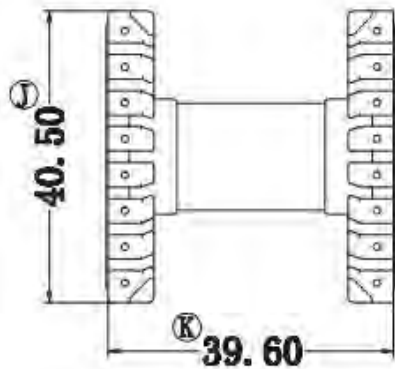
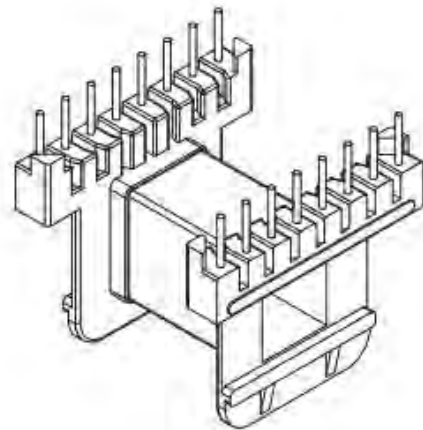
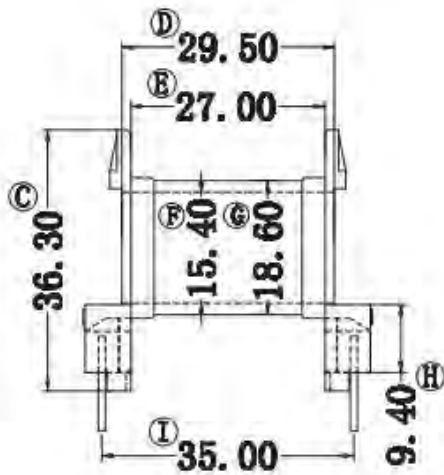
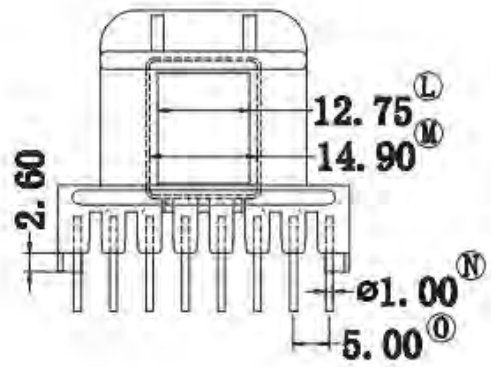
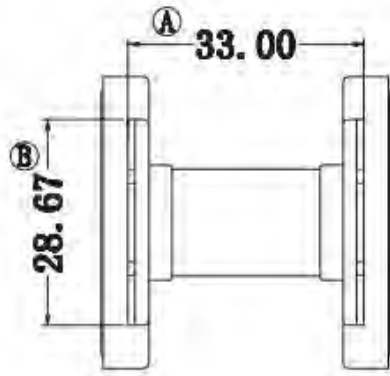
DRAFTED BY	TianXipeng	TOLERANCE		ANGLR: $\pm 1^\circ$	MODEL NAME: EE-40 H (7+7) PIN		
CHECKED BY	Jack Wang	0 < L ≤ 4 ± 0.1 4 < L ≤ 16 ± 0.2 16 < L ≤ 63 ± 0.3	Pin pitch ± 0.20	UNIT: MM	MATERIAL: PHENOLIC	UL REC: UL 94V-0	
 SHANHOM SHAANXI SHINHOM ENTERPRISE CO.,LTD TEL: 029-87851838      FAX:029-87851840 Email: sales@shinhom.com.cn				SCALE: 1/1	TERMINAL MAT:CP WIRE	PIN TENSION LOAD: 1.0 KGS MIN	
					DATE: 2014.03.28	DRAWING NO:	REV. A


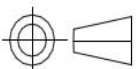


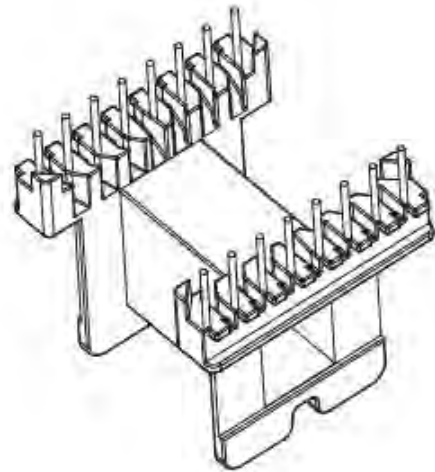
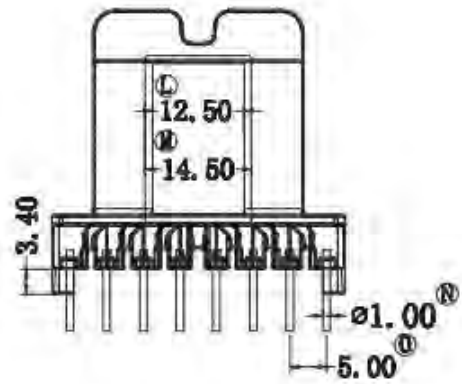
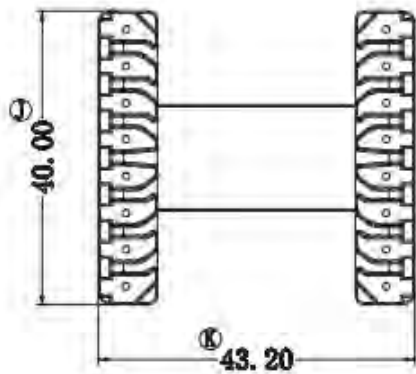
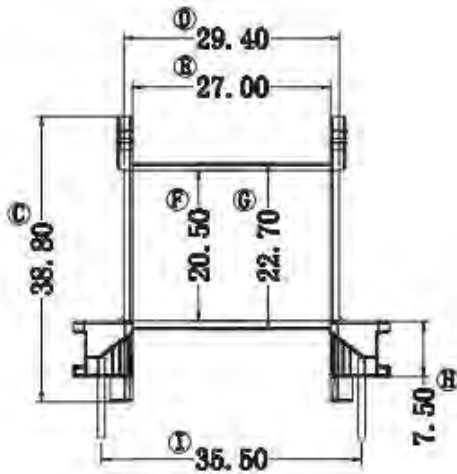
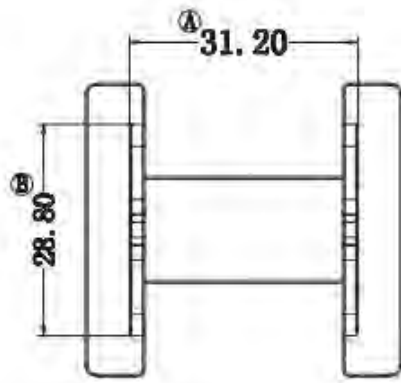
DRAFTED BY	TianXipeng	TOLERANCE		ANGLR: ±1°	MODEL NAME: EI-41H(6+6) PIN		
CHECKED BY	Jack Wang	0<L≤4 ±0.1 4<L≤16 ±0.2 16<L≤63 ±0.3	Pin pitch ±0.20	UNIT:MM	MATERIAL: PBT	UL REC: UL 94V-0	
 SHANHOM SHAANXI SHINHOM ENTERPRISE CO.,LTD TEL: 029-87851838      FAX:029-87851840 Email: sales@shinhom.com.cn				SCALE: 1/1	TERMINAL MAT:CP WIRE	PIN TENSION LOAD: 1.0 KGS MIN	
					DATE: 2014.03.28	DRAWING NO:	REV. A


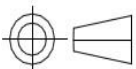


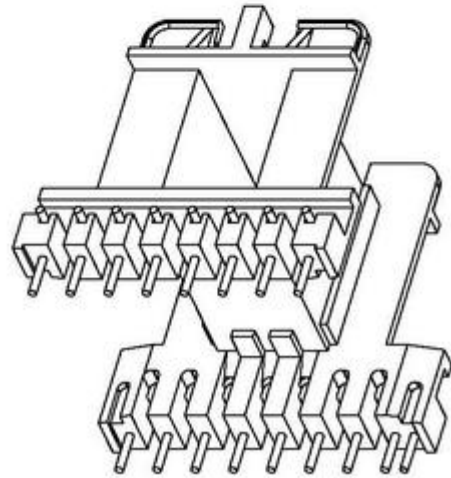
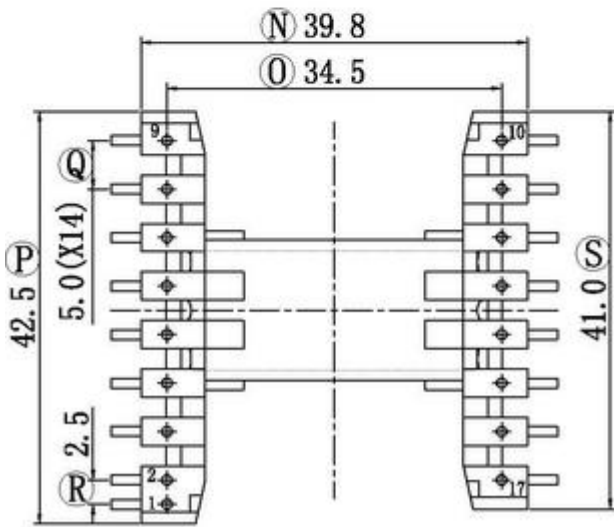
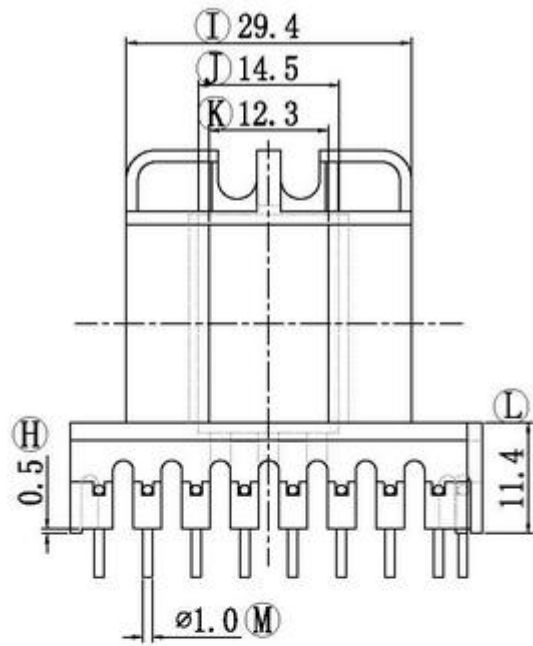
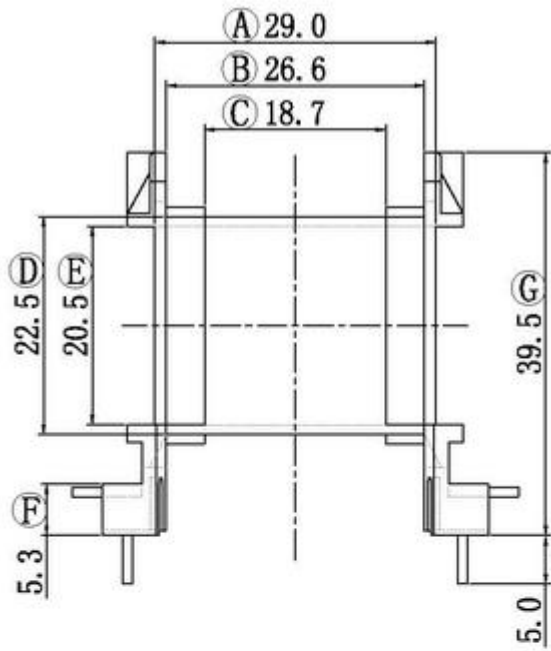
DRAFTED BY	TianXipeng	TOLERANCE		ANGLR: ±1°	MODEL NAME: EE-42H(6+6) PIN		
CHECKED BY	Jack Wang	0<L≤4 ±0.1 4<L≤16 ±0.2 16<L≤63 ±0.3	Pin pitch ±0.20	UNIT:MM	MATERIAL: PET	UL REC: UL 94V-0	
 SHANHOM ENTERPRISE CO.,LTD TEL: 029-87851838 FAX:029-87851840 Email: sales@shinhom.com.cn				SCALE: 1/1	TERMINAL MAT:CP WIRE	PIN TENSION LOAD: 1.0 KGS MIN	
					DATE: 2014.03.28	DRAWING NO:	REV. A


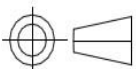


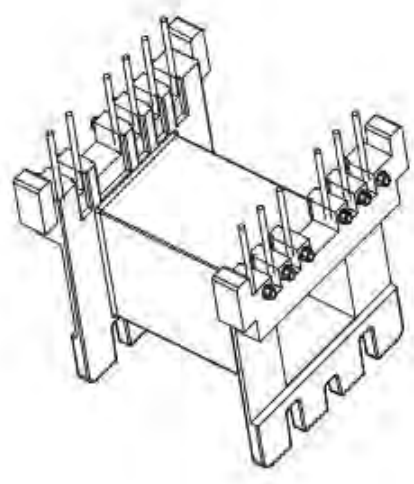
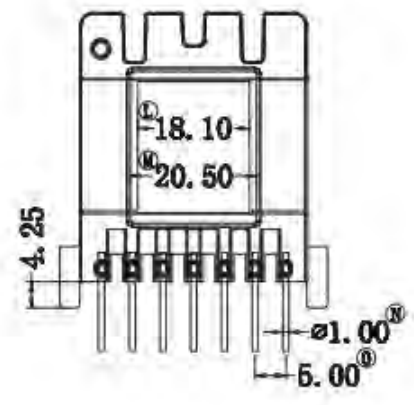
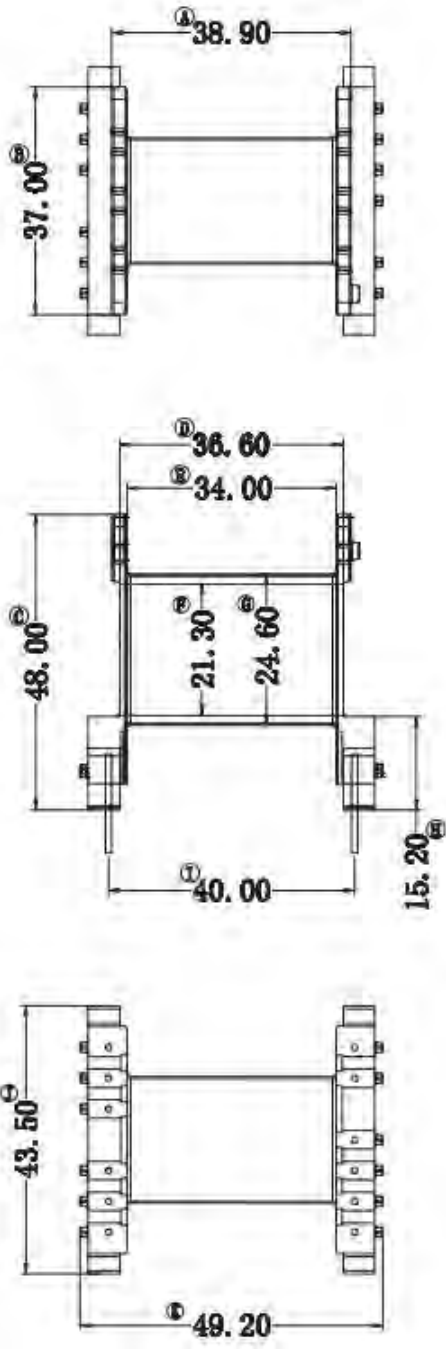
DRAFTED BY	TianXipeng	TOLERANCE		ANGLR: ±1°	MODEL NAME: EE-42/15H(8+8) PIN		
CHECKED BY	Jack Wang	0<L≤4 ±0.1 4<L≤16 ±0.2 16<L≤63 ±0.3	Pin pitch ±0.20	UNIT:MM	MATERIAL: PHENOLIC	UL REC: UL 94V-0	
 SHANHOM ENTERPRISE CO.,LTD TEL: 029-87851838 FAX:029-87851840 Email: sales@shinhom.com.cn				SCALE: 1/1	TERMINAL MAT:CP WIRE	PIN TENSION LOAD: 1.0 KGS MIN	
					DATE: 2014.03.28	DRAWING NO:	REV. A


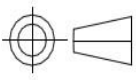


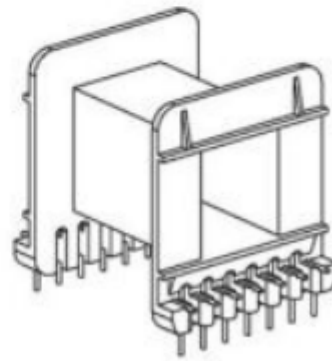
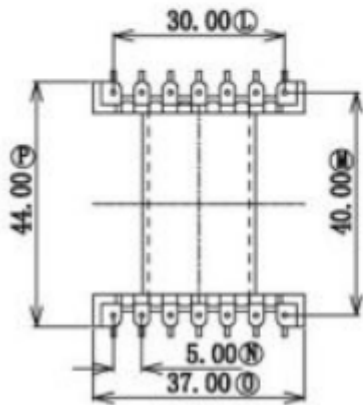
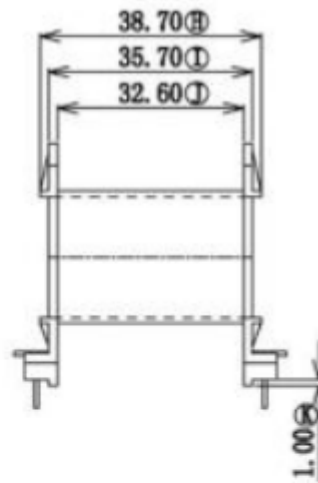
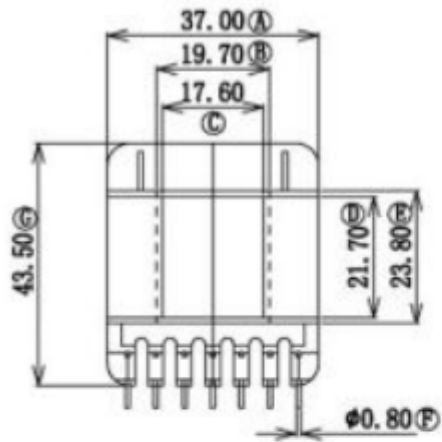
DRAFTED BY	TianXipeng	TOLERANCE		ANGLR: ±1°	MODEL NAME: EE-42/20 H(8+8) PIN		
CHECKED BY	Jack Wang	0<L≤4 ±0.1 4<L≤16 ±0.2 16<L≤63 ±0.3	Pin pitch ±0.20	UNIT:MM	MATERIAL: PHENOLIC	UL REC: UL 94V-0	
 SHANHOM SHAANXI SHINHOM ENTERPRISE CO.,LTD TEL: 029-87851838      FAX:029-87851840 Email: sales@shinhom.com.cn				SCALE: 1/1	TERMINAL MAT:CP WIRE	PIN TENSION LOAD: 1.0 KGS MIN	
					DATE: 2014.03.28	DRAWING NO:	REV. A


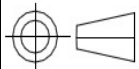


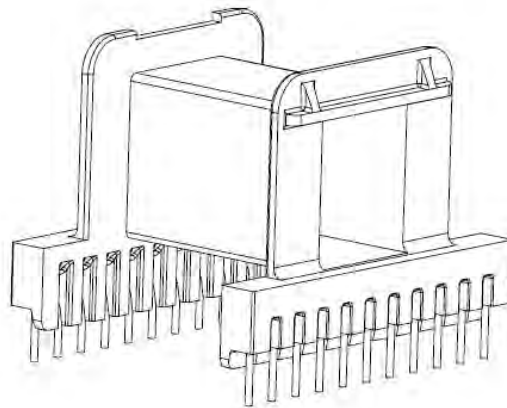
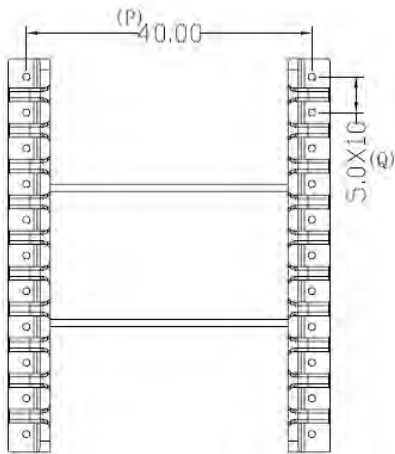
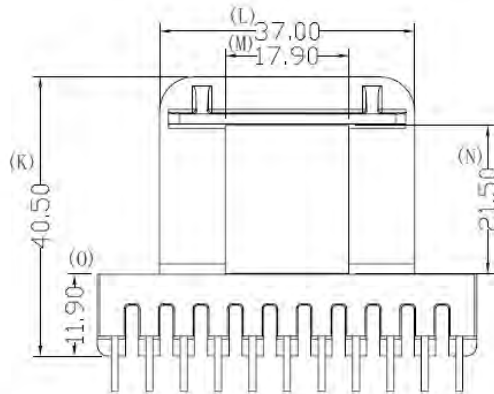
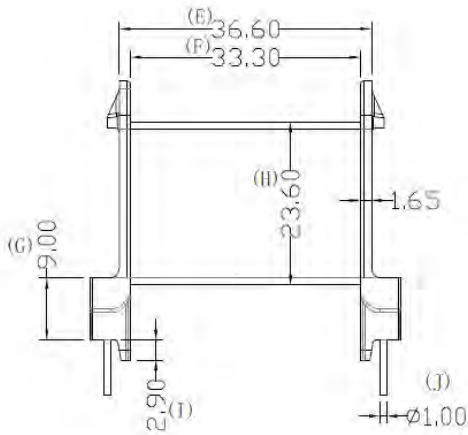
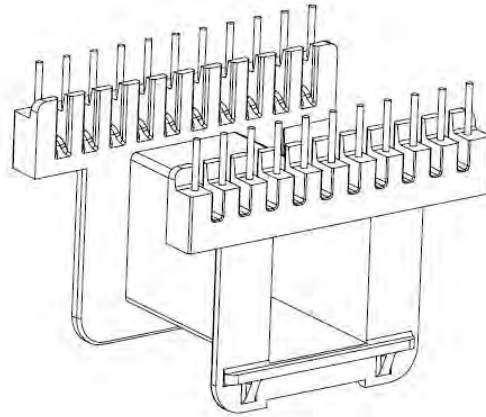
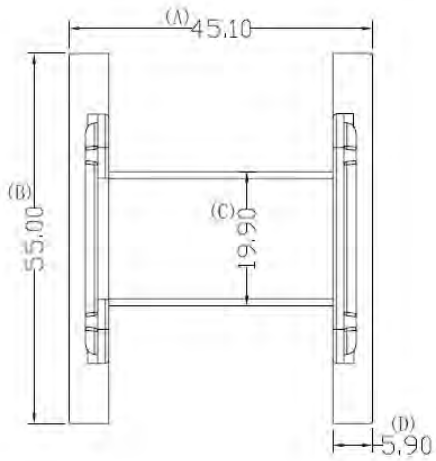
DRAFTED BY	TianXipeng	TOLERANCE		ANGLR: ±1°	MODEL NAME: EE-42/20 H(8+9) PIN		
CHECKED BY	Jack Wang	0<L≤4 ±0.1 4<L≤16 ±0.2 16<L≤63 ±0.3	Pin pitch ±0.20	UNIT:MM	MATERIAL: PBT	UL REC: UL 94V-0	
 SHINHOM	SHAANXI SHINHOM ENTERPRISE CO.,LTD TEL: 029-87851838      FAX:029-87851840 Email: sales@shinhom.com.cn			SCALE: 1/1	TERMINAL MAT:CP WIRE	PIN TENSION LOAD: 1.0 KGS MIN	
						DATE: 2014.03.28	DRAWING NO:


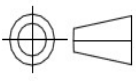


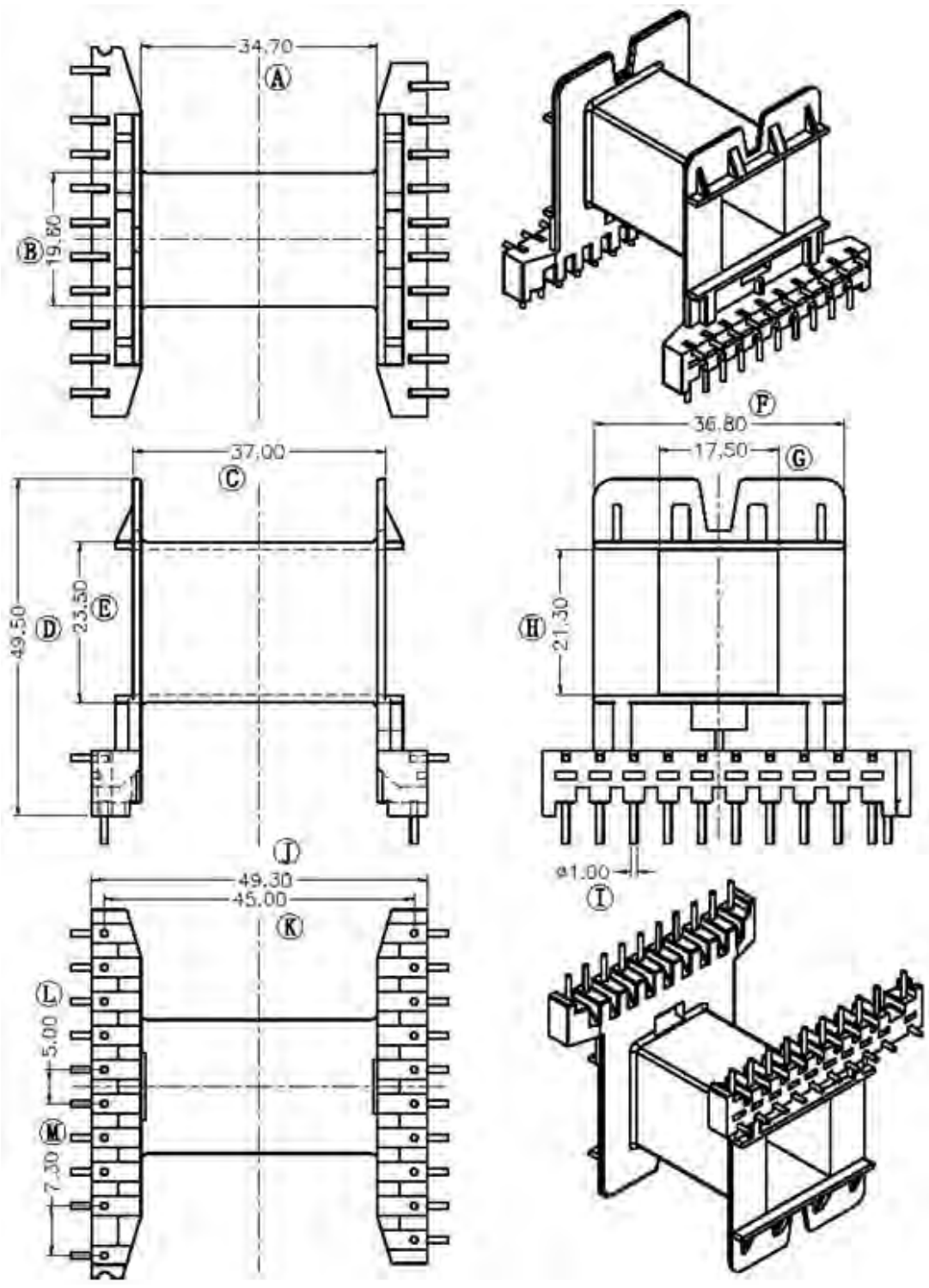
DRAFTED BY	TianXipeng	TOLERANCE		ANGLR: ±1°	MODEL NAME: EE-55/20 H(6+6) PIN		
CHECKED BY	Jack Wang	0<L≤4 ±0.1 4<L≤16 ±0.2 16<L≤63 ±0.3	Pin pitch ±0.20	UNIT:MM	MATERIAL: PHENOLIC	UL REC: UL 94V-0	
 SHANHOM SHAANXI SHINHOM ENTERPRISE CO.,LTD TEL: 029-87851838      FAX:029-87851840 Email: sales@shinhom.com.cn				SCALE: 1/1	TERMINAL MAT:CP WIRE	PIN TENSION LOAD: 1.0 KGS MIN	
					DATE: 2014.03.28	DRAWING NO:	REV. A


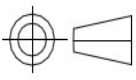


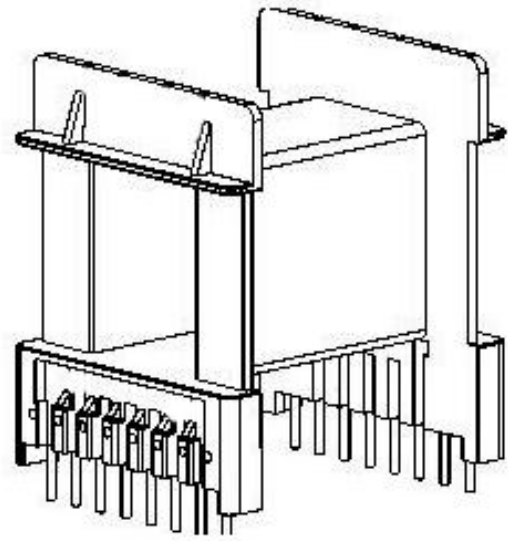
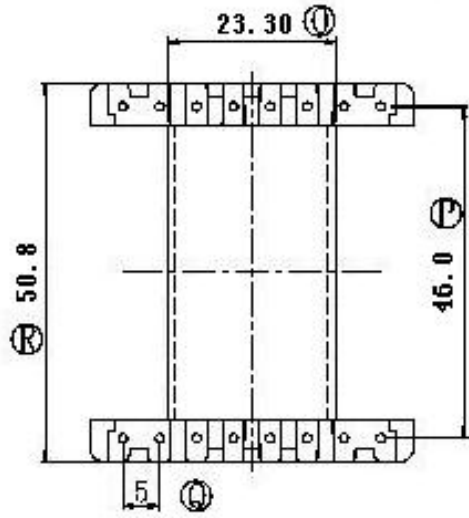
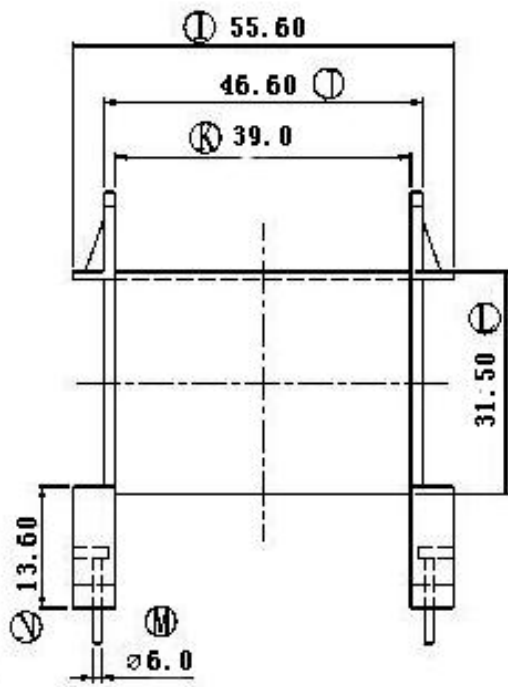
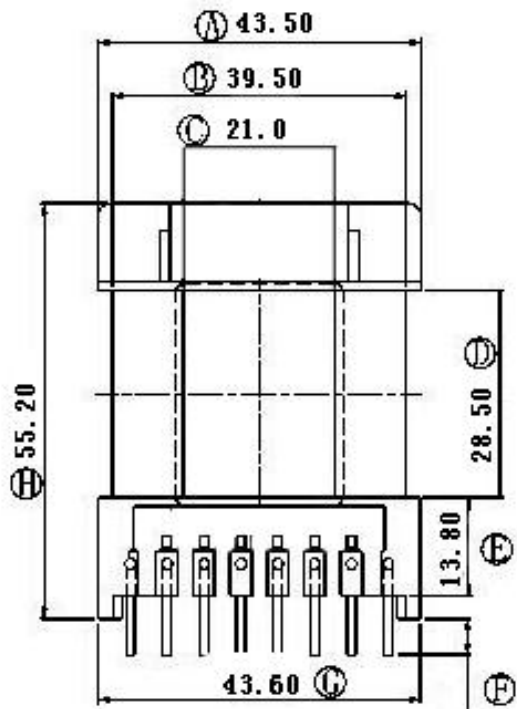
DRAFTED BY	TianXipeng	TOLERANCE		ANGLR: ±1°	MODEL NAME: EE-55H(7+7) PIN	
CHECKED BY	Jack Wang	0<L≤4 ±0.1 4<L≤16 ±0.2 16<L≤63 ±0.3	Pin pitch ±0.20	UNIT:MM	MATERIAL: PHENOLIC	UL REC: UL 94V-0
 SHANHOM SHAANXI SHINHOM ENTERPRISE CO.,LTD TEL: 029-87851838      FAX:029-87851840 Email: sales@shinhom.com.cn				SCALE: 1/1	TERMINAL MAT:CP WIRE	PIN TENSION LOAD: 1.0 KGS MIN
					DATE: 2014.03.28	DRAWING NO:


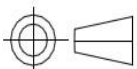


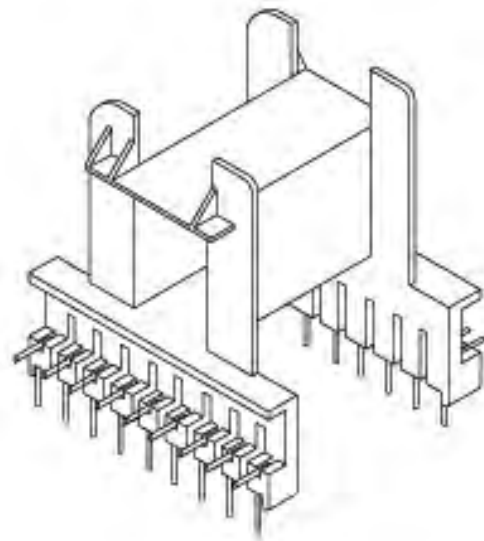
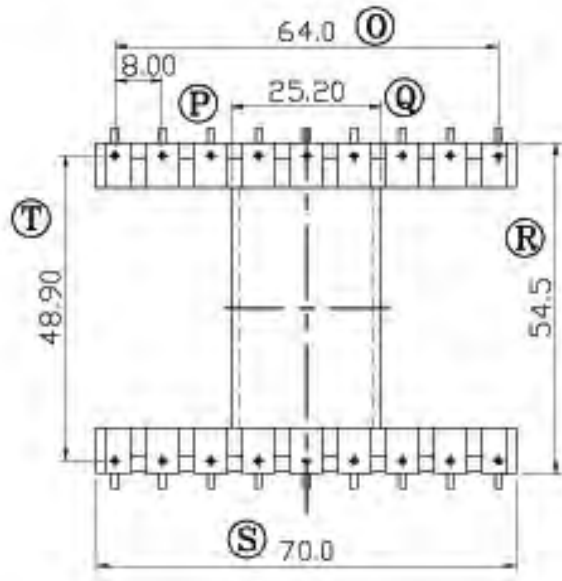
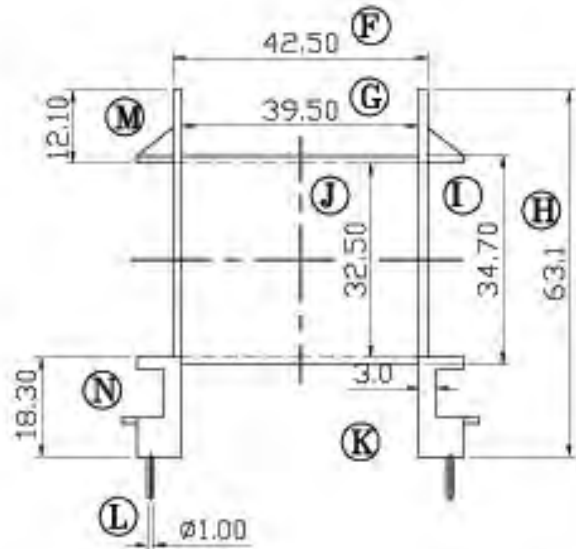
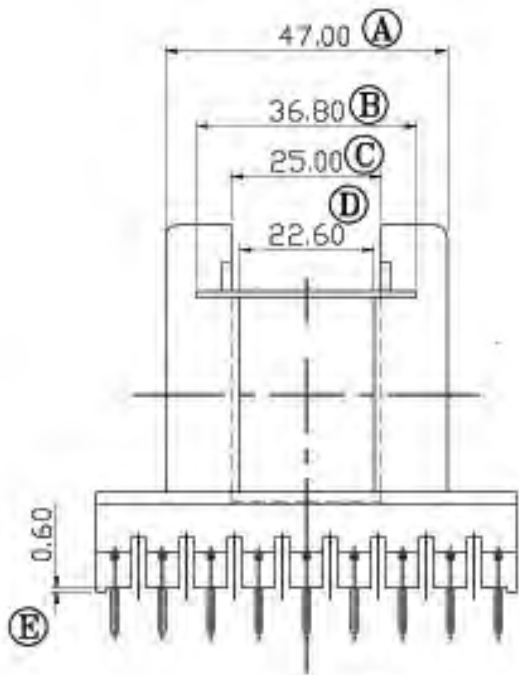
DRAFTED BY	TianXipeng	TOLERANCE		ANGLR: ±1°	MODEL NAME: EE-55H(11+11) PIN	
CHECKED BY	Jack Wang	0<L≤4 ±0.1 4<L≤16 ±0.2 16<L≤63 ±0.3	Pin pitch ±0.20	UNIT:MM	MATERIAL: PHENOLIC	UL REC: UL 94V-0
 SHAANXI SHINHOM ENTERPRISE CO.,LTD TEL: 029-87851838 FAX:029-87851840 Email: sales@shinhom.com.cn				SCALE: 1/1	TERMINAL MAT:CP WIRE	PIN TENSION LOAD: 1.0 KGS MIN
					DATE: 2014.03.28	DRAWING NO:


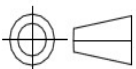


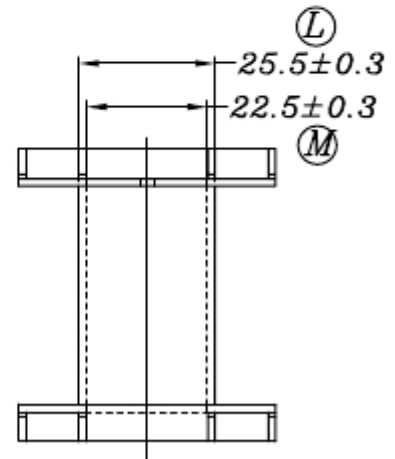
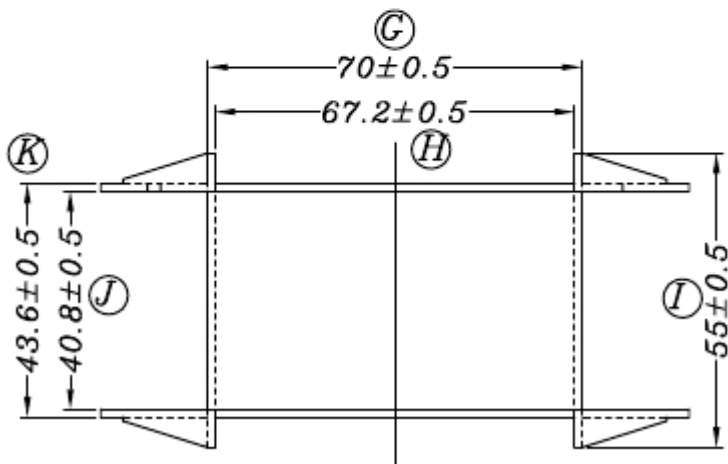
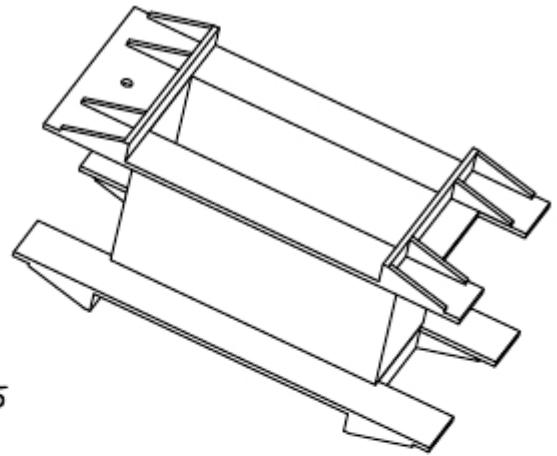
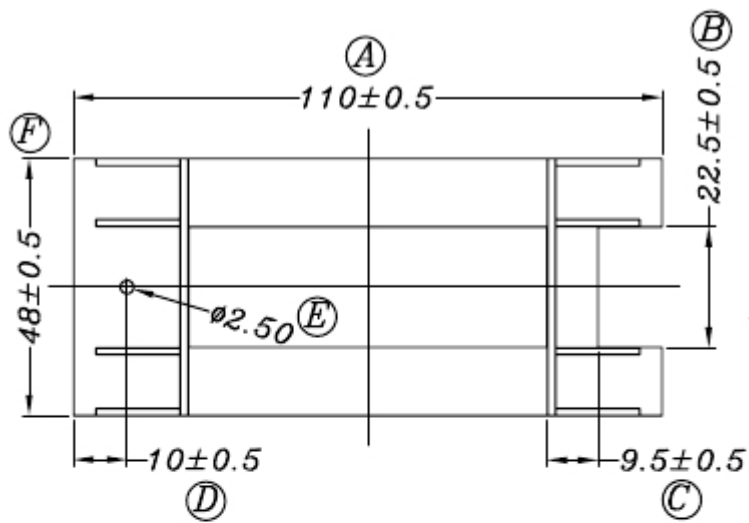
DRAFTED BY	TianXipeng	TOLERANCE		ANGLR: ±1°	MODEL NAME: EE-55H(10+10) PIN	
CHECKED BY	Jack Wang	0<L≤4 ±0.1 4<L≤16 ±0.2 16<L≤63 ±0.3	Pin pitch ±0.20	UNIT:MM	MATERIAL: PBT	UL REC: UL 94V-0
 SHANHOM SHAANXI SHINHOM ENTERPRISE CO.,LTD TEL: 029-87851838      FAX:029-87851840 Email: sales@shinhom.com.cn				SCALE: 1/1	TERMINAL MAT:CP WIRE	PIN TENSION LOAD: 1.0 KGS MIN
					DATE: 2014.03.28	DRAWING NO:


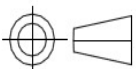


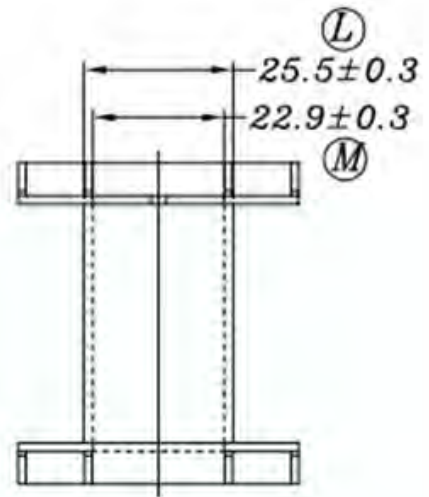
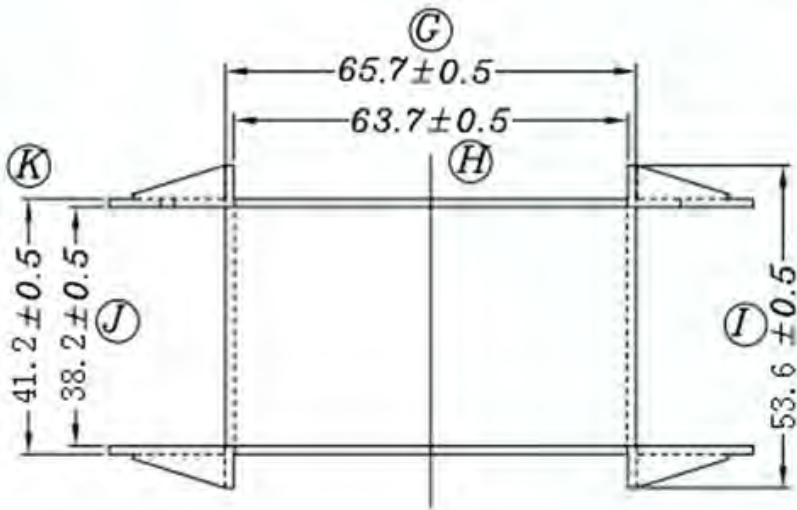
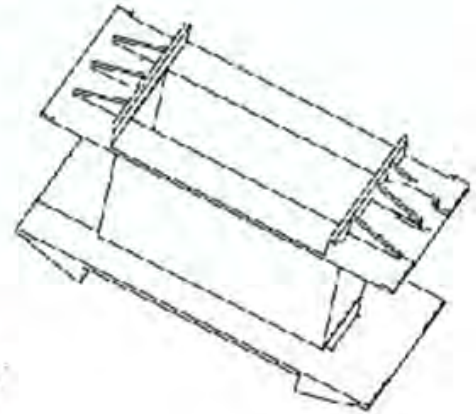
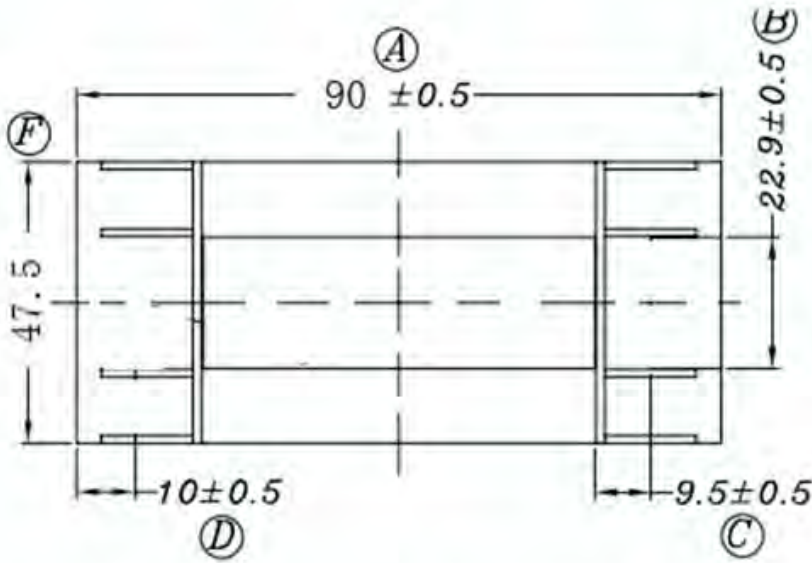
DRAFTED BY	TianXipeng	TOLERANCE		ANGLR: ±1°	MODEL NAME: EE-6501 H(8+8) PIN	
CHECKED BY	Jack Wang	0<L≤4 ±0.1 4<L≤16 ±0.2 16<L≤63 ±0.3	Pin pitch ±0.20	UNIT:MM	MATERIAL: PHENOLIC	UL REC: UL 94V-0
 SHANHOM SHAANXI SHINHOM ENTERPRISE CO.,LTD TEL: 029-87851838      FAX:029-87851840 Email: sales@shinhom.com.cn				SCALE: 1/1	TERMINAL MAT:CP WIRE	PIN TENSION LOAD: 1.0 KGS MIN
					DATE: 2014.03.28	DRAWING NO:


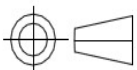


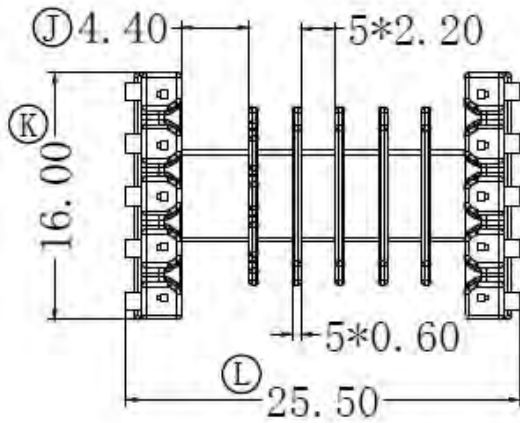
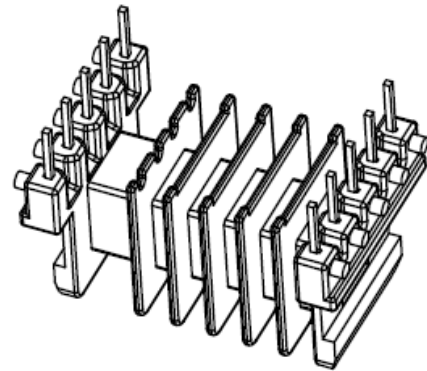
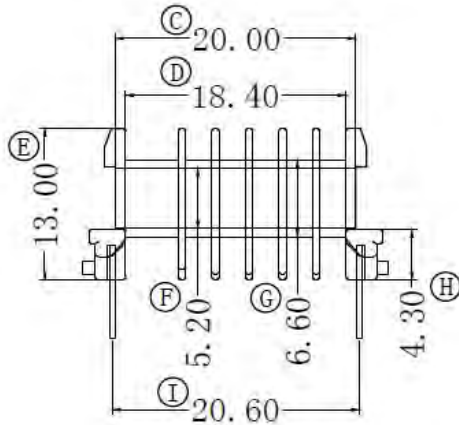
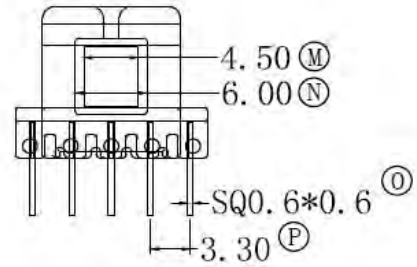
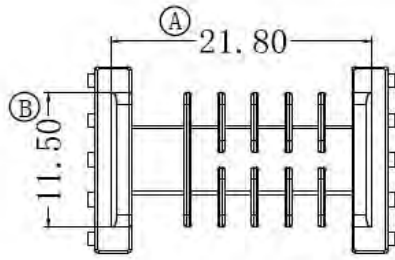
DRAFTED BY	TianXipeng	TOLERANCE		ANGLR: $\pm 1^\circ$	MODEL NAME: EE-70 H(9+9) PIN	
CHECKED BY	Jack Wang	0<L≤4 ±0.1 4<L≤16 ±0.2 16<L≤63 ±0.3	Pin pitch ±0.20	UNIT:MM	MATERIAL: PHENOLIC	UL REC: UL 94V-0
 SHANHOM ENTERPRISE CO.,LTD TEL: 029-87851838 FAX:029-87851840 Email: sales@shinhom.com.cn				SCALE: 1/1	TERMINAL MAT:CP WIRE	PIN TENSION LOAD: 1.0 KGS MIN
					DATE: 2014.03.28	DRAWING NO:


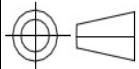


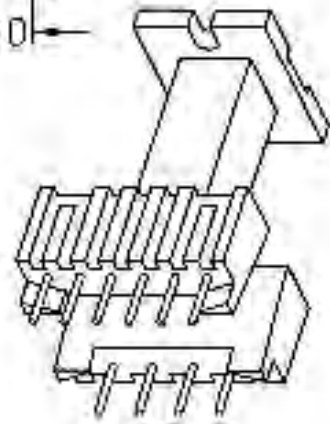
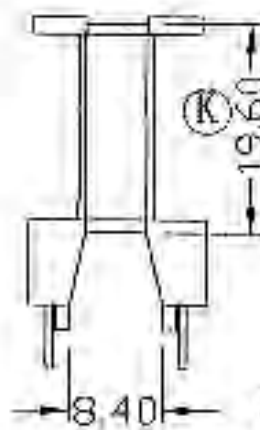
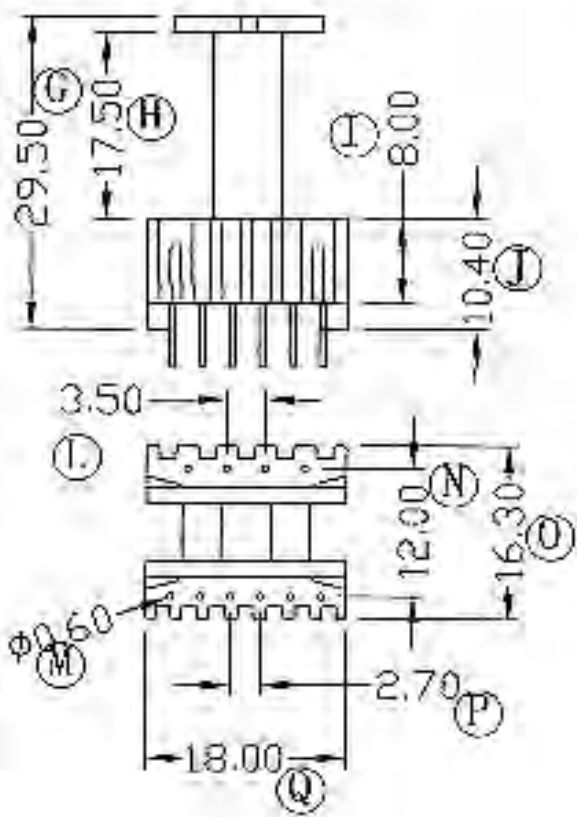
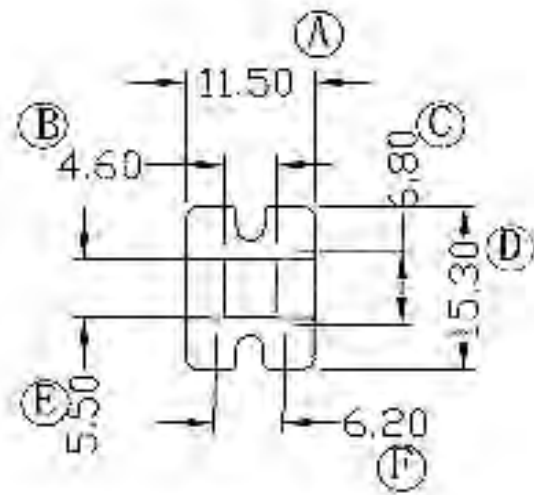
DRAFTED BY	TianXipeng	TOLERANCE		ANGLR: $\pm 1^\circ$	MODEL NAME: EE-70 without PIN	
CHECKED BY	Jack Wang	$0 < L \leq 4 \pm 0.1$ $4 < L \leq 16 \pm 0.2$ $16 < L \leq 63 \pm 0.3$	Pin pitch $\pm 0.20$	UNIT:MM	MATERIAL: PET	UL REC: UL 94V-0
 SHANHOM SHAANXI SHINHOM ENTERPRISE CO.,LTD TEL: 029-87851838      FAX:029-87851840 Email: sales@shinhom.com.cn				SCALE: 1/1	TERMINAL MAT:CP WIRE	PIN TENSION LOAD: 1.0 KGS MIN
					DATE: 2014.03.28	DRAWING NO:


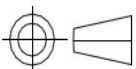


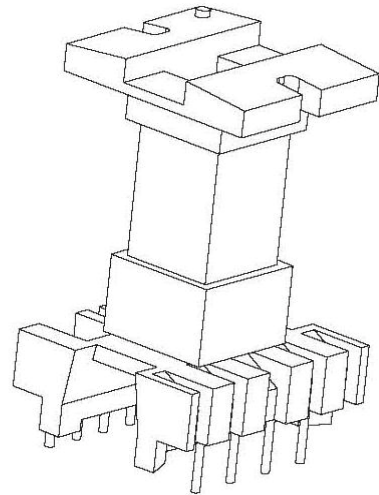
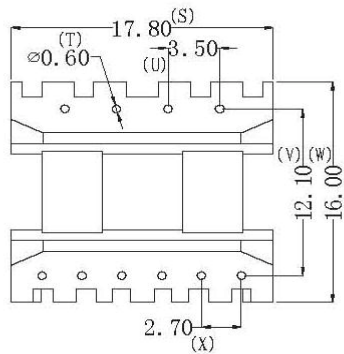
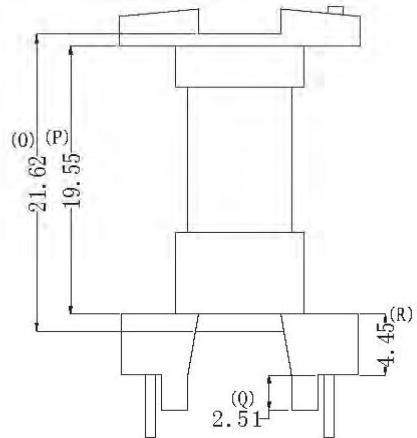
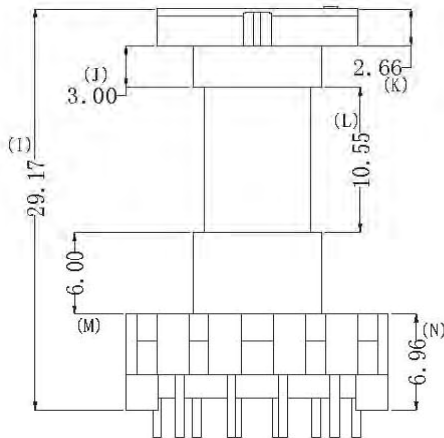
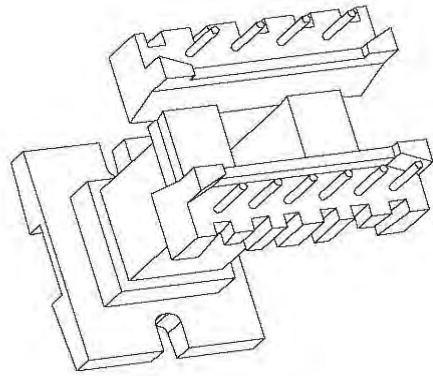
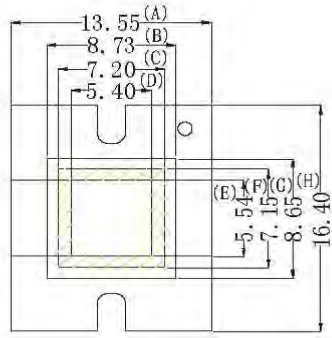
DRAFTED BY	TianXipeng	TOLERANCE		ANGLR: ±1°	MODEL NAME: EE-70 without PIN		
CHECKED BY	Jack Wang	0<L≤4 ±0.1 4<L≤16 ±0.2 16<L≤63 ±0.3	Pin pitch ±0.20	UNIT:MM	MATERIAL: BLACK PET	UL REC: UL 94V-0	
 SHANHOM ENTERPRISE CO.,LTD TEL: 029-87851838 FAX:029-87851840 Email: sales@shinhom.com.cn				SCALE: 1/1	TERMINAL MAT:CP WIRE	PIN TENSION LOAD: 1.0 KGS MIN	
					DATE: 2014.03.28	DRAWING NO:	REV. A


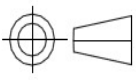


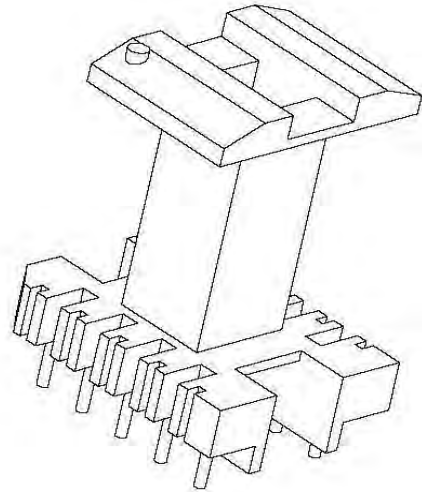
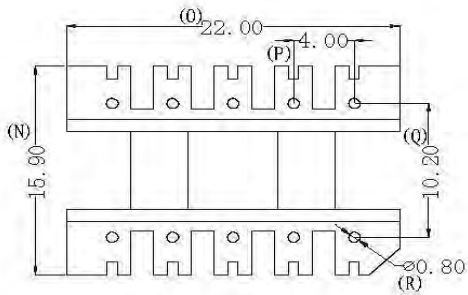
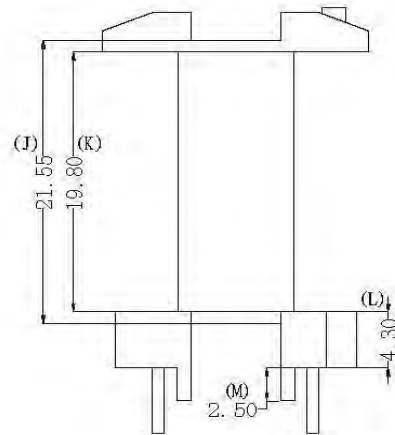
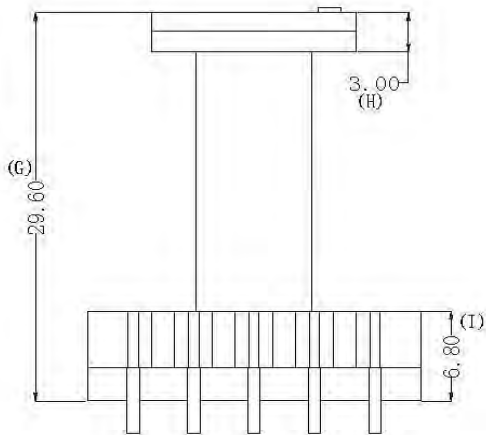
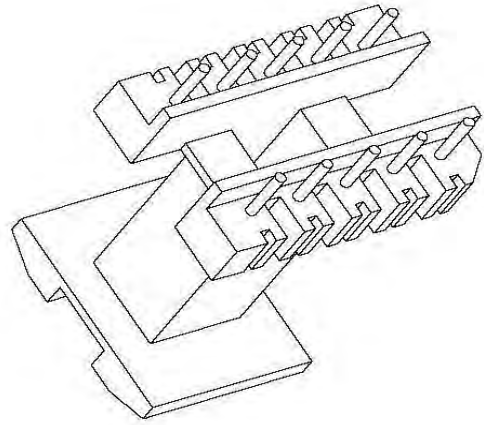
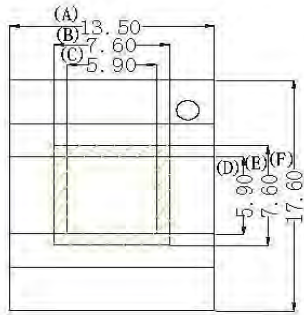
DRAFTED BY	TianXipeng	TOLERANCE		ANGLR: ±1°	MODEL NAME: EEL-16H(5+5) PIN		
CHECKED BY	Jack Wang	0<L≤4 ±0.1 4<L≤16 ±0.2 16<L≤63 ±0.3	Pin pitch ±0.20	UNIT:MM	MATERIAL: PBT	UL REC: UL 94V-0	
 SHANHOM SHAANXI SHINHOM ENTERPRISE CO.,LTD TEL: 029-87851838      FAX:029-87851840 Email: sales@shinhom.com.cn				SCALE: 1/1	TERMINAL MAT:CP WIRE	PIN TENSION LOAD: 1.0 KGS MIN	
					DATE: 2014.03.28	DRAWING NO:	REV. A


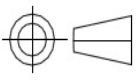


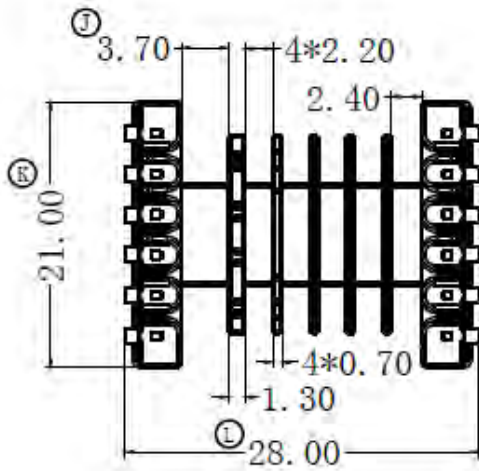
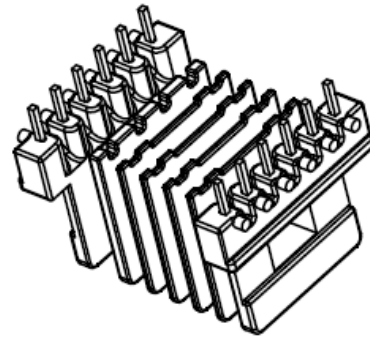
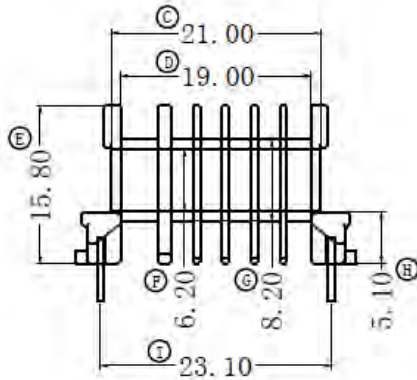
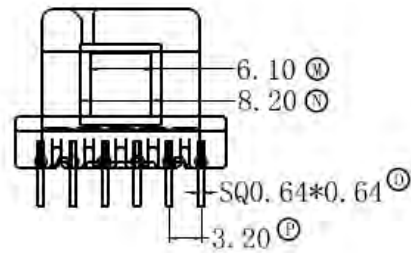
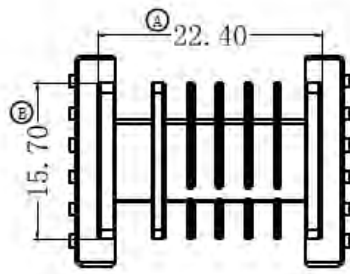
DRAFTED BY	TianXipeng	TOLERANCE		ANGLR: ±1°	MODEL NAME: EEL-16V(4+6) PIN		
CHECKED BY	Jack Wang	0<L≤4 ±0.1 4<L≤16 ±0.2 16<L≤63 ±0.3	Pin pitch ±0.20	UNIT:MM	MATERIAL: PHENOLIC	UL REC: UL 94V-0	
 SHANHOM SHAANXI SHINHOM ENTERPRISE CO.,LTD TEL: 029-87851838      FAX:029-87851840 Email: sales@shinhom.com.cn				SCALE: 1/1	TERMINAL MAT:CP WIRE	PIN TENSION LOAD: 1.0 KGS MIN	
					DATE: 2014.03.28	DRAWING NO:	REV. A


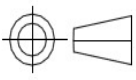


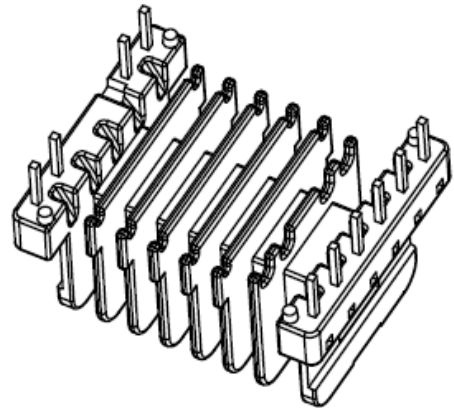
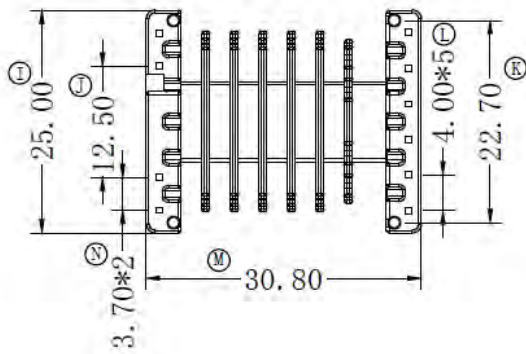
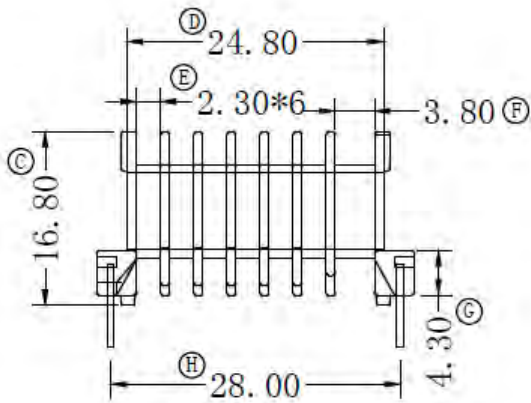
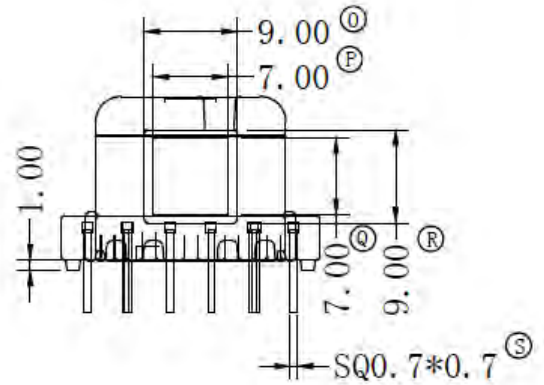
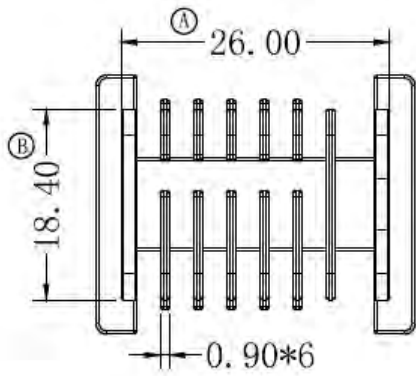
DRAFTED BY	TianXipeng	TOLERANCE		ANGLR: ±1°	MODEL NAME: EEL-19V(4+6) PIN		
CHECKED BY	Jack Wang	0<L≤4 ±0.1 4<L≤16 ±0.2 16<L≤63 ±0.3	Pin pitch ±0.20	UNIT:MM	MATERIAL: PHENOLIC	UL REC: UL 94V-0	
 SHANHOM ENTERPRISE CO.,LTD TEL: 029-87851838 FAX:029-87851840 Email: sales@shinhom.com.cn				SCALE: 1/1	TERMINAL MAT:CP WIRE	PIN TENSION LOAD: 1.0 KGS MIN	
					DATE: 2014.03.28	DRAWING NO:	REV. A


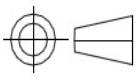


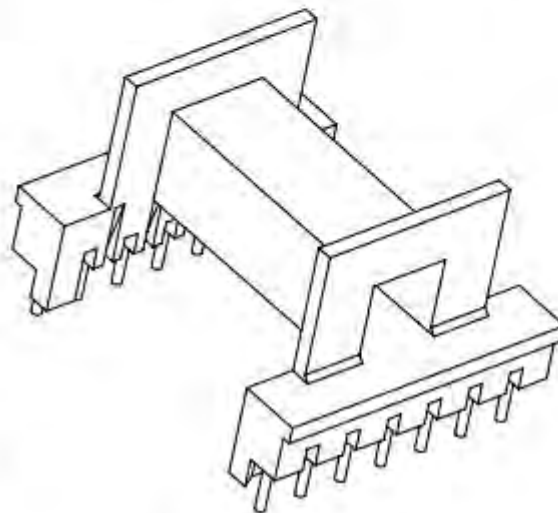
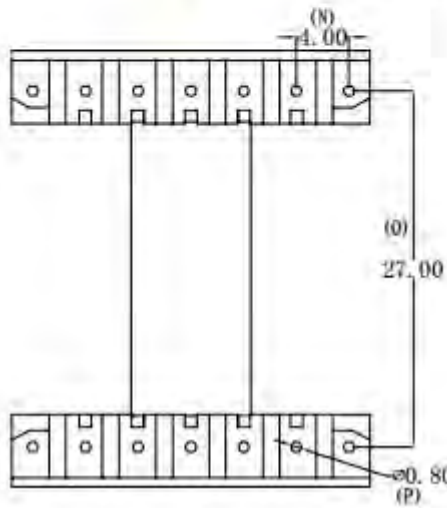
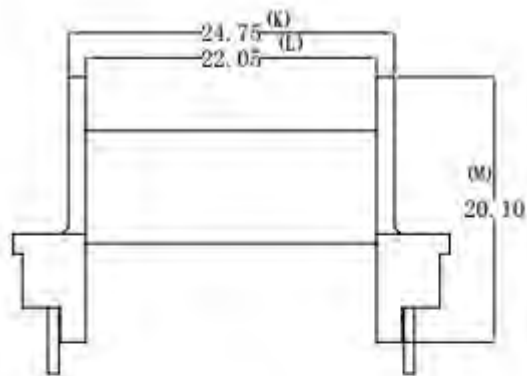
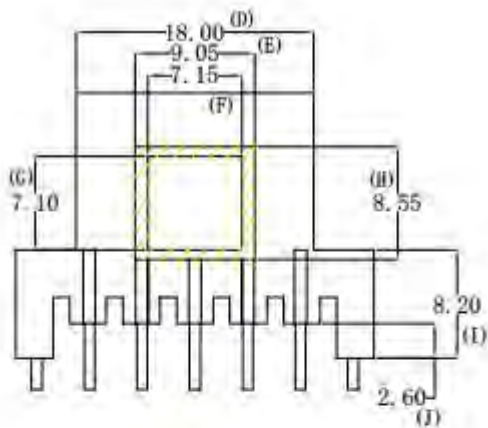
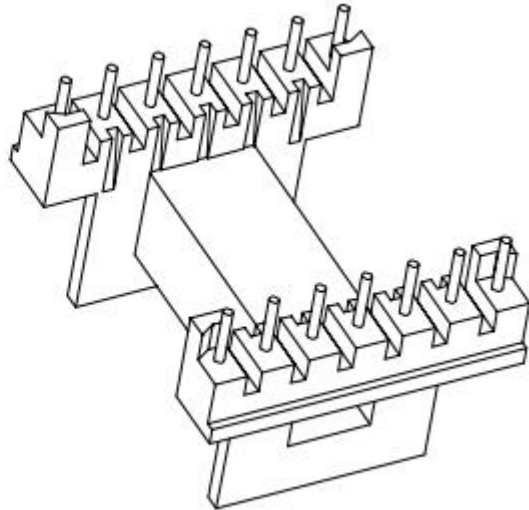
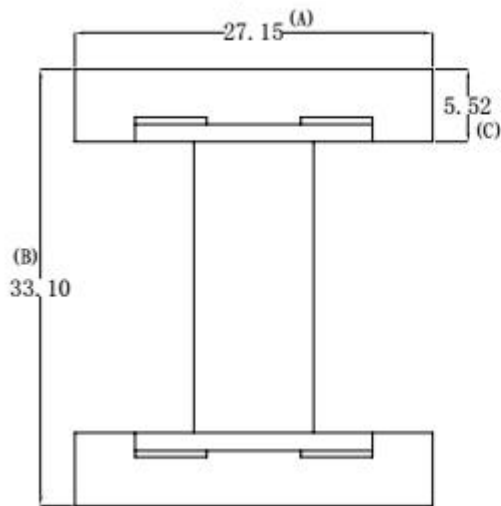
DRAFTED BY	TianXipeng	TOLERANCE		ANGLR: ±1°	MODEL NAME: EEL-22V(5+5) PIN		
CHECKED BY	Jack Wang	0<L≤4 ±0.1 4<L≤16 ±0.2 16<L≤63 ±0.3	Pin pitch ±0.20	UNIT:MM	MATERIAL: PHENOLIC	UL REC: UL 94V-0	
 SHANHOM ENTERPRISE CO.,LTD TEL: 029-87851838 FAX:029-87851840 Email: sales@shinhom.com.cn				SCALE: 1/1	TERMINAL MAT:CP WIRE	PIN TENSION LOAD: 1.0 KGS MIN	
					DATE: 2014.03.28	DRAWING NO:	REV. A


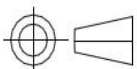


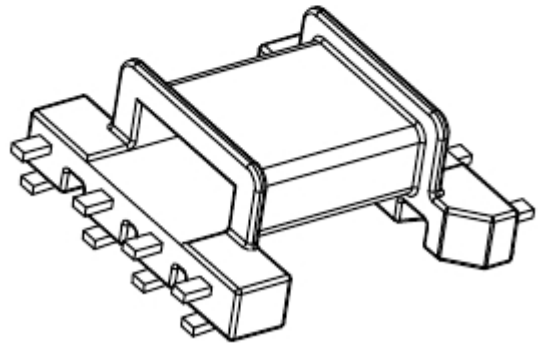
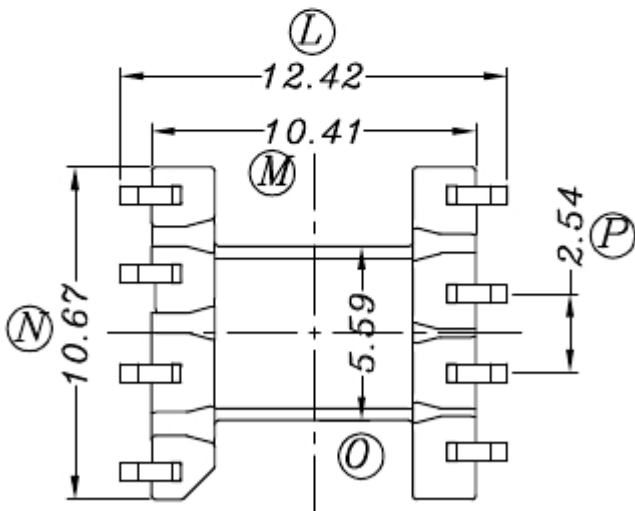
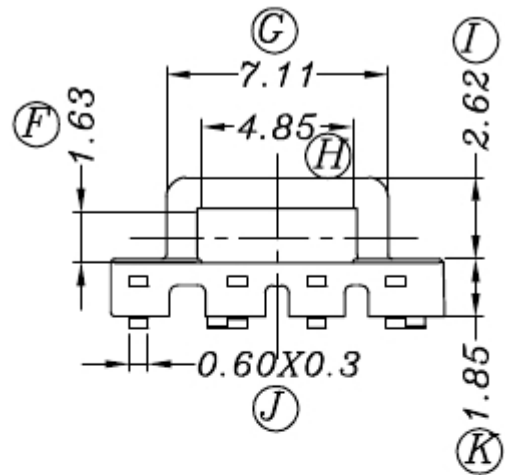
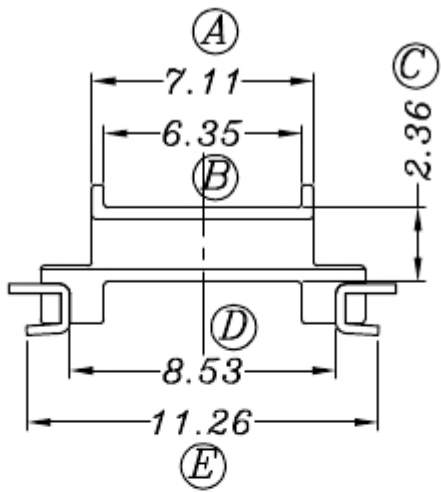
DRAFTED BY	TianXipeng	TOLERANCE		ANGLR: ±1°	MODEL NAME: EEL-22H(6+6) PIN		
CHECKED BY	Jack Wang	0<L≤4 ±0.1 4<L≤16 ±0.2 16<L≤63 ±0.3	Pin pitch ±0.20	UNIT:MM	MATERIAL: PET	UL REC: UL 94V-0	
 SHANHOM SHAANXI SHINHOM ENTERPRISE CO.,LTD TEL: 029-87851838      FAX:029-87851840 Email: sales@shinhom.com.cn				SCALE: 1/1	TERMINAL MAT:CP WIRE	PIN TENSION LOAD: 1.0 KGS MIN	
					DATE: 2014.03.28	DRAWING NO:	REV. A


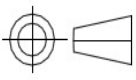


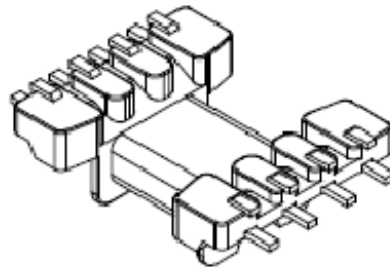
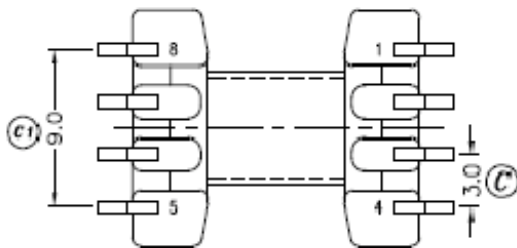
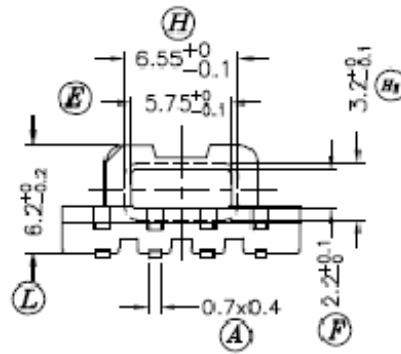
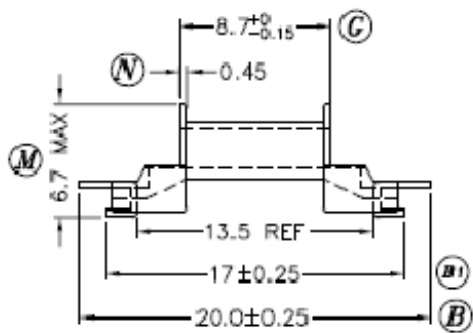
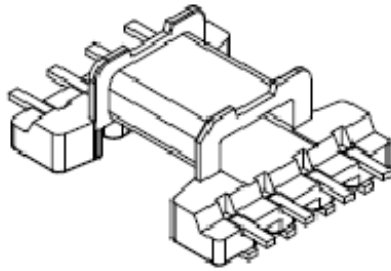
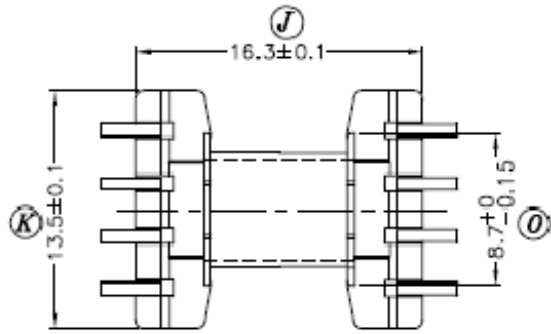
DRAFTED BY	TianXipeng	TOLERANCE		ANGLR: ±1°	MODEL NAME: EEL-25H(4+6) PIN		
CHECKED BY	Jack Wang	0<L≤4 ±0.1 4<L≤16 ±0.2 16<L≤63 ±0.3	Pin pitch ±0.20	UNIT:MM	MATERIAL: PBT	UL REC: UL 94V-0	
 SHANHOM SHAANXI SHINHOM ENTERPRISE CO.,LTD TEL: 029-87851838      FAX:029-87851840 Email: sales@shinhom.com.cn				SCALE: 1/1	TERMINAL MAT:CP WIRE	PIN TENSION LOAD: 1.0 KGS MIN	
						DATE: 2014.03.28	DRAWING NO:


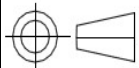


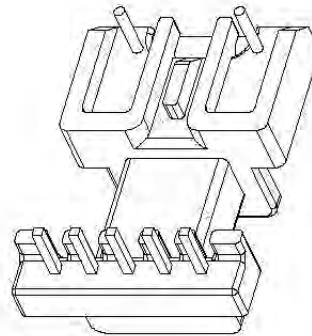
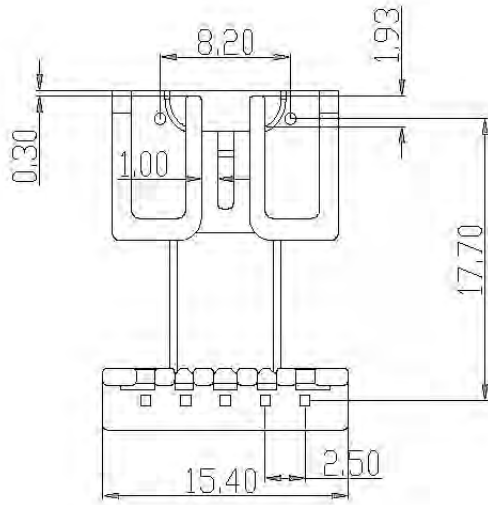
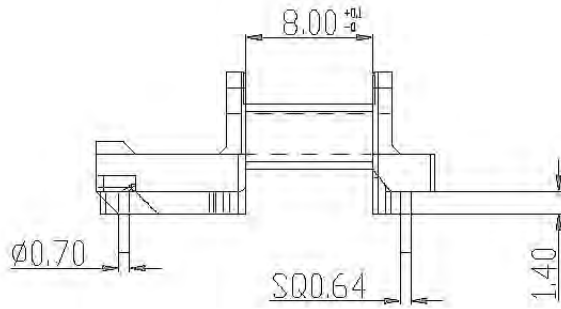
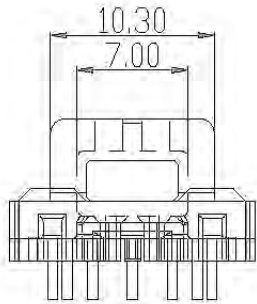
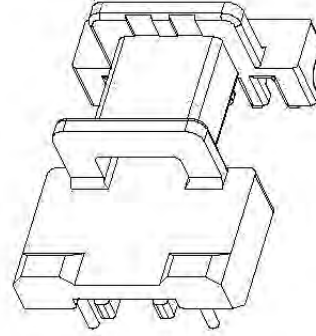
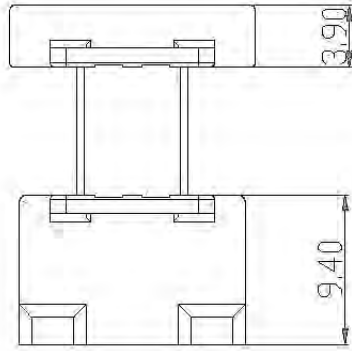
DRAFTED BY	TianXipeng	TOLERANCE		ANGLR: ±1°	MODEL NAME: EEL-25H(7+7) PIN	
CHECKED BY	Jack Wang	0<L≤4 ±0.1 4<L≤16 ±0.2 16<L≤63 ±0.3	Pin pitch ±0.20	UNIT:MM	MATERIAL: PHENOLIC	UL REC: UL 94V-0
 SHINHOM	SHAANXI SHINHOM ENTERPRISE CO.,LTD TEL: 029-87851838      FAX:029-87851840 Email: sales@shinhom.com.cn			SCALE: 1/1	TERMINAL MAT:CP WIRE	PIN TENSION LOAD: 1.0 KGS MIN
					DATE: 2014.03.28	DRAWING NO:


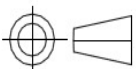


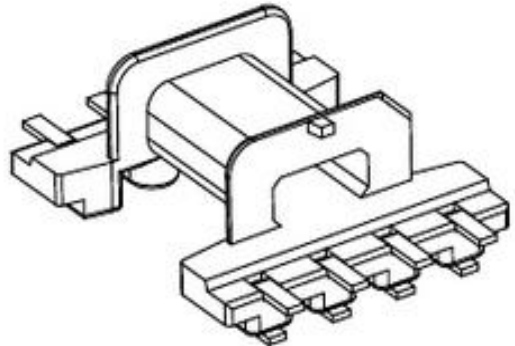
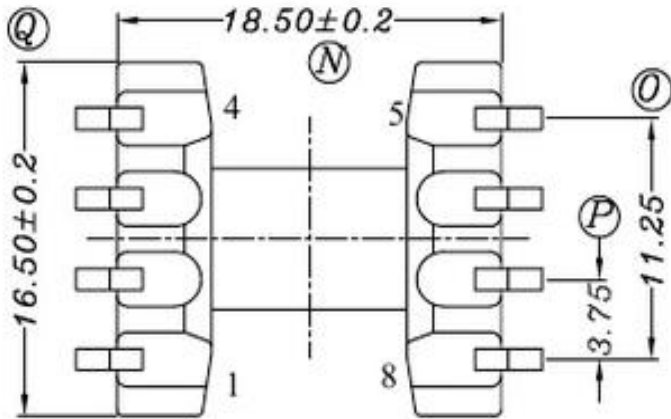
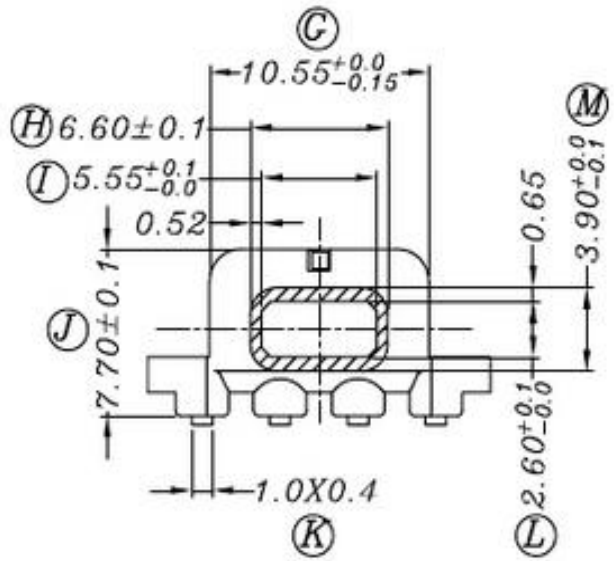
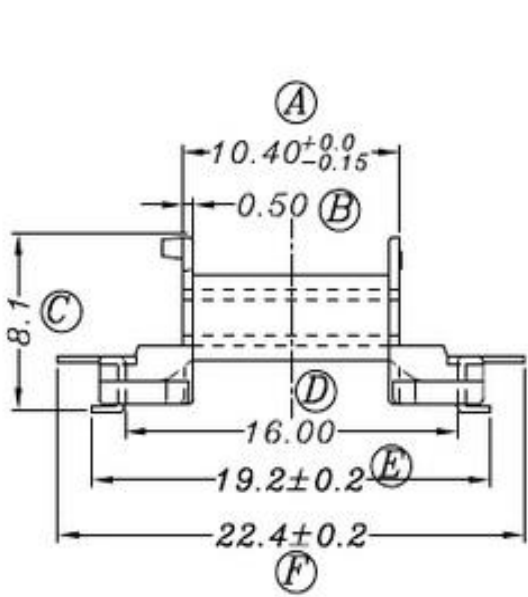
DRAFTED BY	TianXipeng	TOLERANCE		ANGLR: ±1°	MODEL NAME: EFD-10(5+5) PIN		
CHECKED BY	Jack Wang	0<L≤4 ±0.1 4<L≤16 ±0.2 16<L≤63 ±0.3	Pin pitch ±0.20	UNIT:MM	MATERIAL: PHENOLIC	UL REC: UL 94V-0	
 SHANHOM ENTERPRISE CO.,LTD TEL: 029-87851838 FAX:029-87851840 Email: sales@shinhom.com.cn				SCALE: 1/1	TERMINAL MAT:CP WIRE	PIN TENSION LOAD: 1.0 KGS MIN	
					DATE: 2014.03.28	DRAWING NO:	REV. A


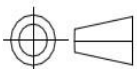


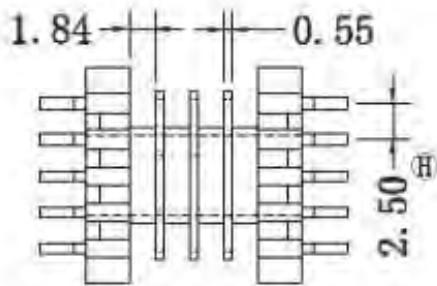
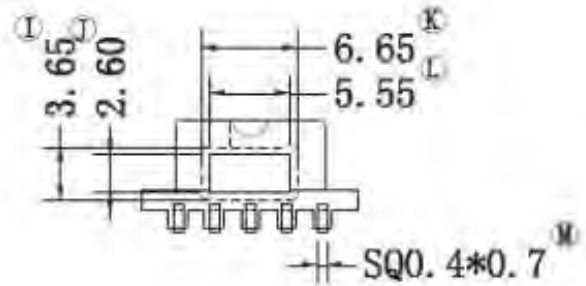
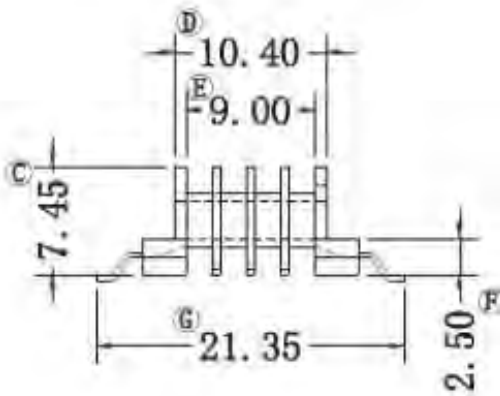
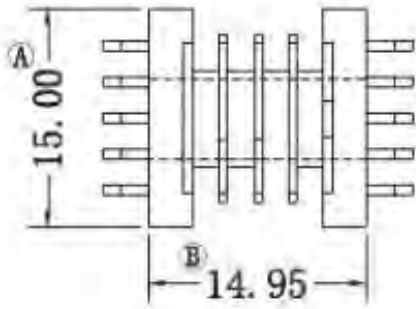
DRAFTED BY	TianXipeng	TOLERANCE		ANGLR: ±1°	MODEL NAME: EFD-12.5H(4+4) PIN	
CHECKED BY	Jack Wang	0<L≤4 ±0.1 4<L≤16 ±0.2 16<L≤63 ±0.3	Pin pitch ±0.20	UNIT:MM	MATERIAL: PHENOLIC	UL REC: UL 94V-0
 SHANHOM ENTERPRISE CO.,LTD TEL: 029-87851838 FAX:029-87851840 Email: sales@shinhom.com.cn				SCALE: 1/1	TERMINAL MAT:CP WIRE	PIN TENSION LOAD: 1.0 KGS MIN
					DATE: 2015.05.15	DRAWING NO:


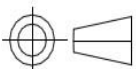


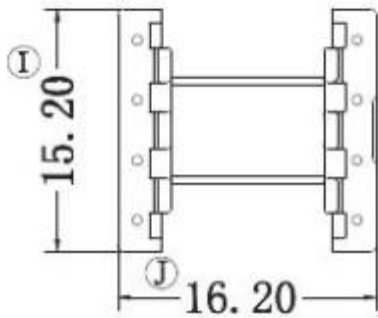
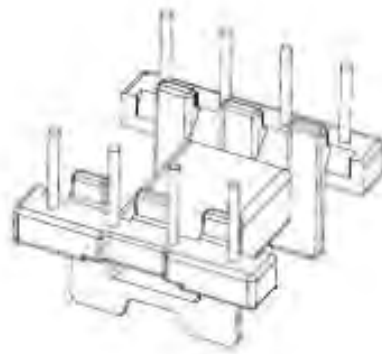
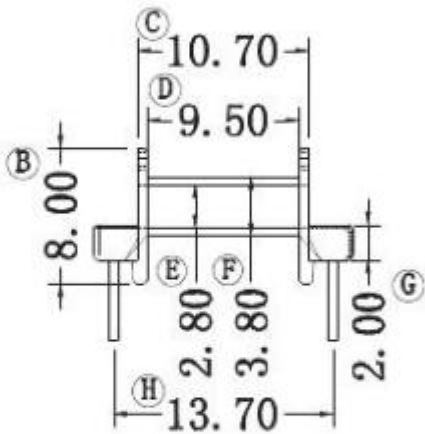
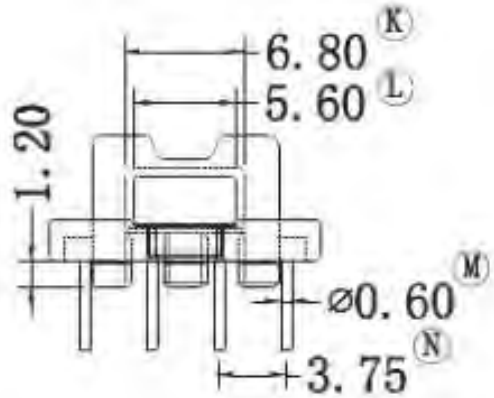
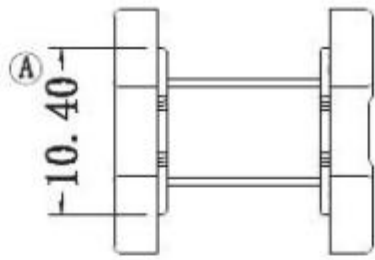
DRAFTED BY	TianXipeng	TOLERANCE		ANGLR: $\pm 1^\circ$	MODEL NAME: EFD-14H(5+4) PIN	
CHECKED BY	Jack Wang	$0 < L \leq 4 \pm 0.1$ $4 < L \leq 16 \pm 0.2$ $16 < L \leq 63 \pm 0.3$	Pin pitch $\pm 0.20$	UNIT:MM	MATERIAL: PHENOLIC	UL REC: UL 94V-0
 SHANHOM SHAANXI SHINHOM ENTERPRISE CO.,LTD TEL: 029-87851838      FAX:029-87851840 Email: sales@shinhom.com.cn				SCALE: 1/1	TERMINAL MAT:CP WIRE	PIN TENSION LOAD: 1.0 KGS MIN
					DATE: 2015.05.15	DRAWING NO:


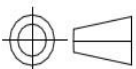


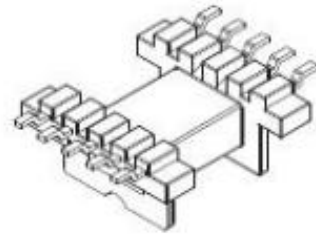
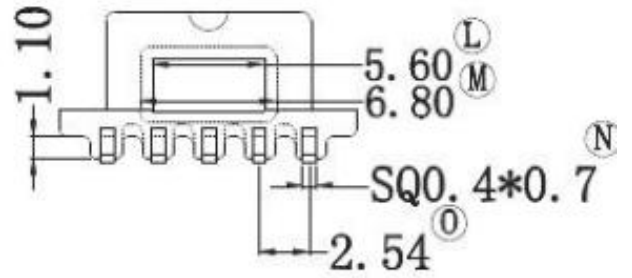
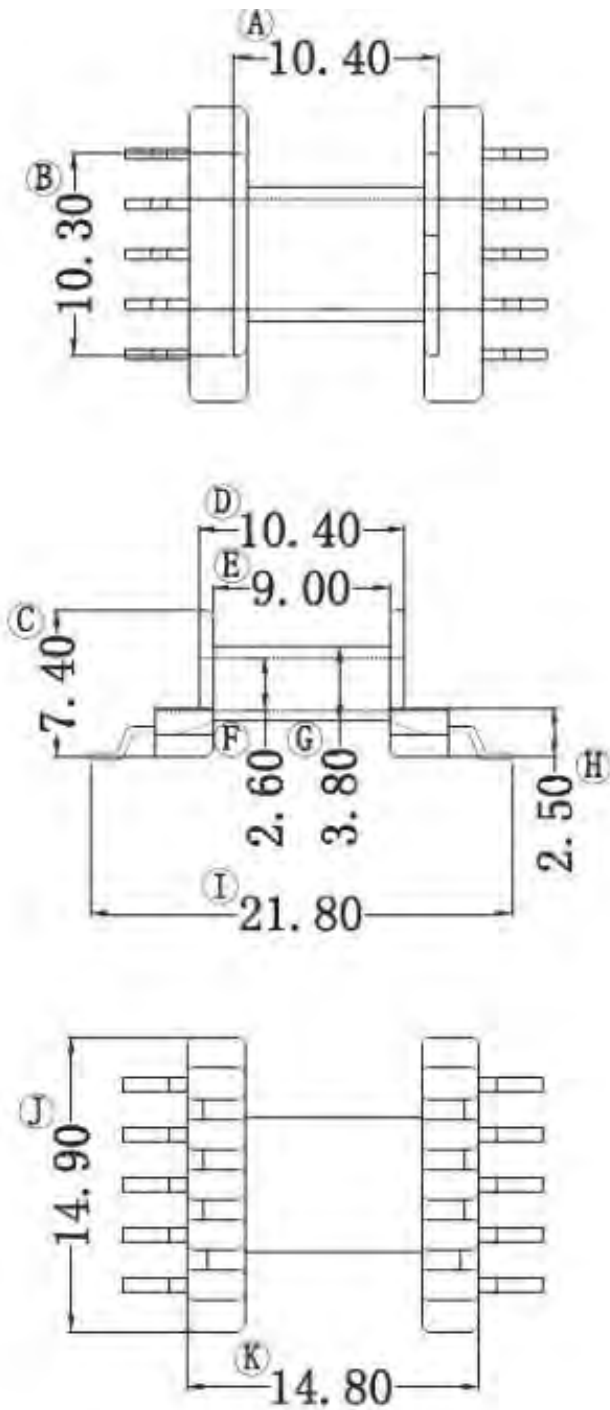
DRAFTED BY	TianXipeng	TOLERANCE		ANGLR: ±1°	MODEL NAME: EFD-15H(4+4) PIN		
CHECKED BY	Jack Wang	0<L≤4 ±0.1 4<L≤16 ±0.2 16<L≤63 ±0.3	Pin pitch ±0.20	UNIT:MM	MATERIAL: PHENOLIC	UL REC: UL 94V-0	
 SHANHOM ENTERPRISE CO.,LTD TEL: 029-87851838 FAX:029-87851840 Email: sales@shinhom.com.cn				SCALE: 1/1	TERMINAL MAT:CP WIRE	PIN TENSION LOAD: 1.0 KGS MIN	
					DATE: 2014.03.28	DRAWING NO:	REV. A


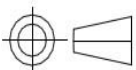


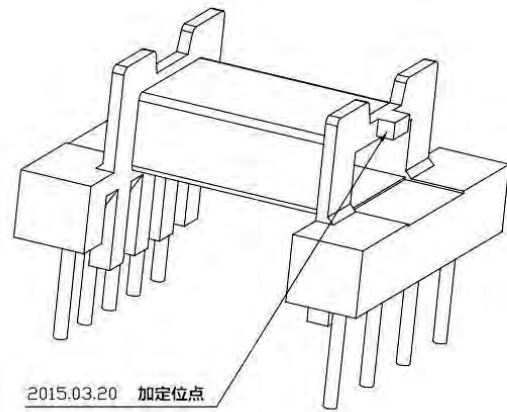
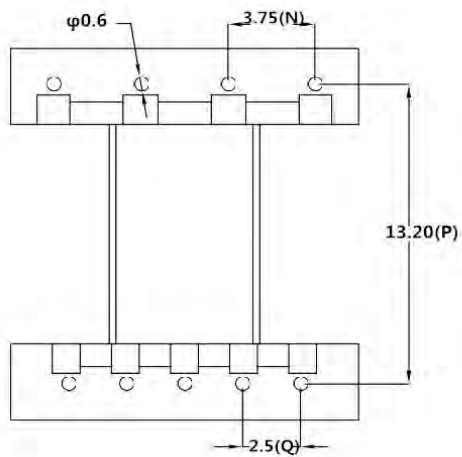
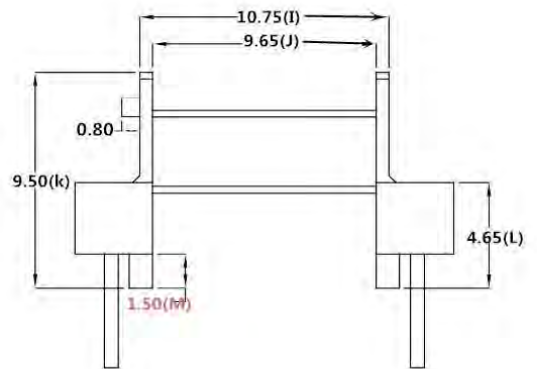
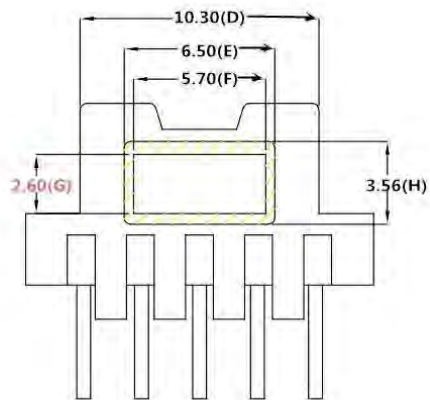
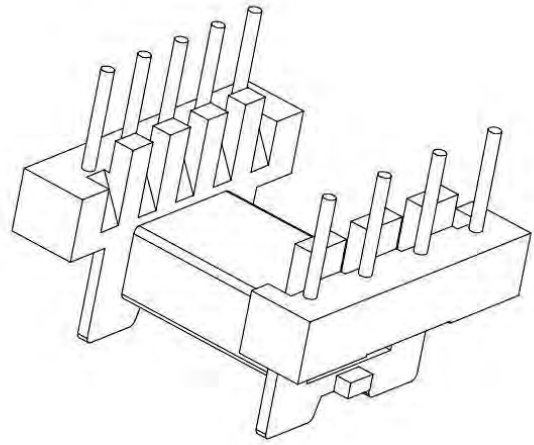
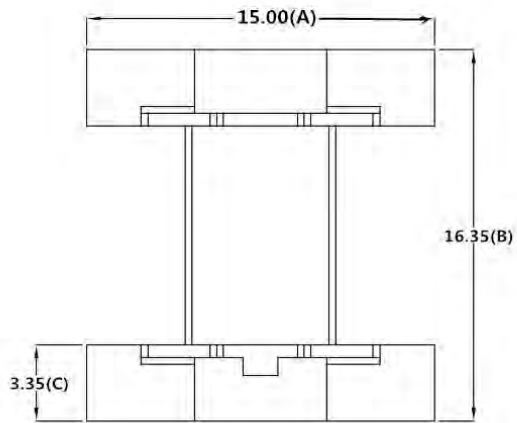
DRAFTED BY	TianXipeng	TOLERANCE		ANGLR: ±1°	MODEL NAME: EFD-15H(4SEC5+5) PIN		
CHECKED BY	Jack Wang	0<L≤4 ±0.1 4<L≤16 ±0.2 16<L≤63 ±0.3	Pin pitch ±0.20	UNIT:MM	MATERIAL: PHENOLIC	UL REC: UL 94V-0	
 SHANHOM ENTERPRISE CO.,LTD TEL: 029-87851838 FAX:029-87851840 Email: sales@shinhom.com.cn				SCALE: 1/1	TERMINAL MAT:CP WIRE	PIN TENSION LOAD: 1.0 KGS MIN	
					DATE: 2014.03.28	DRAWING NO:	REV. A


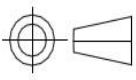


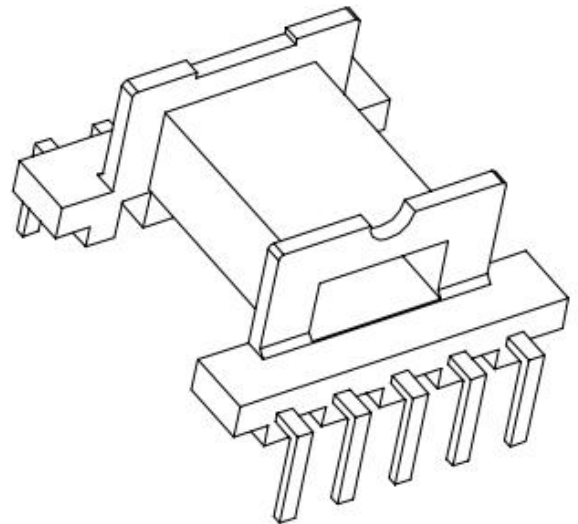
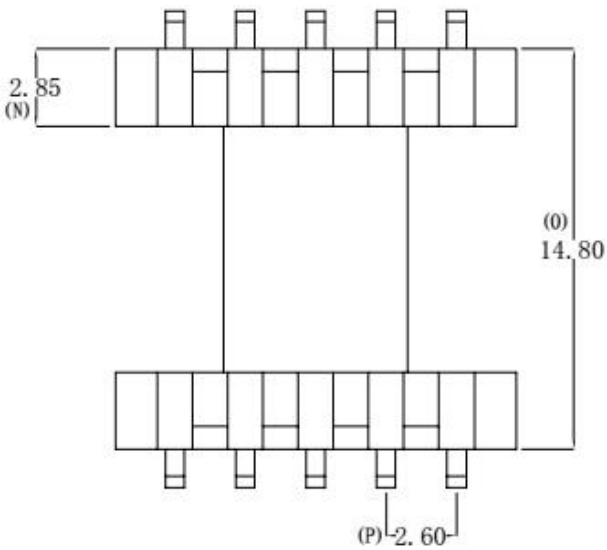
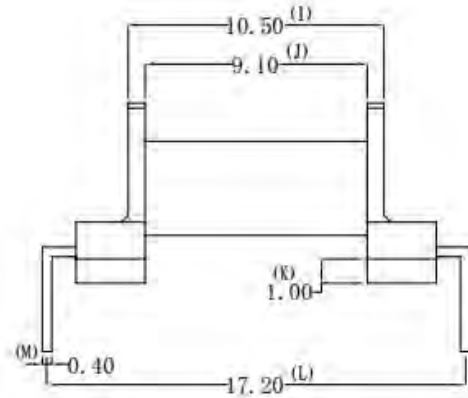
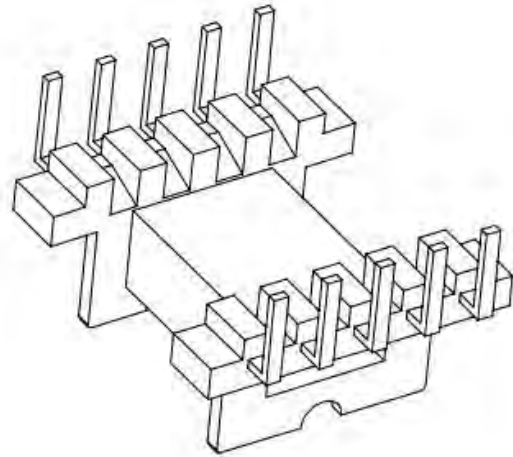
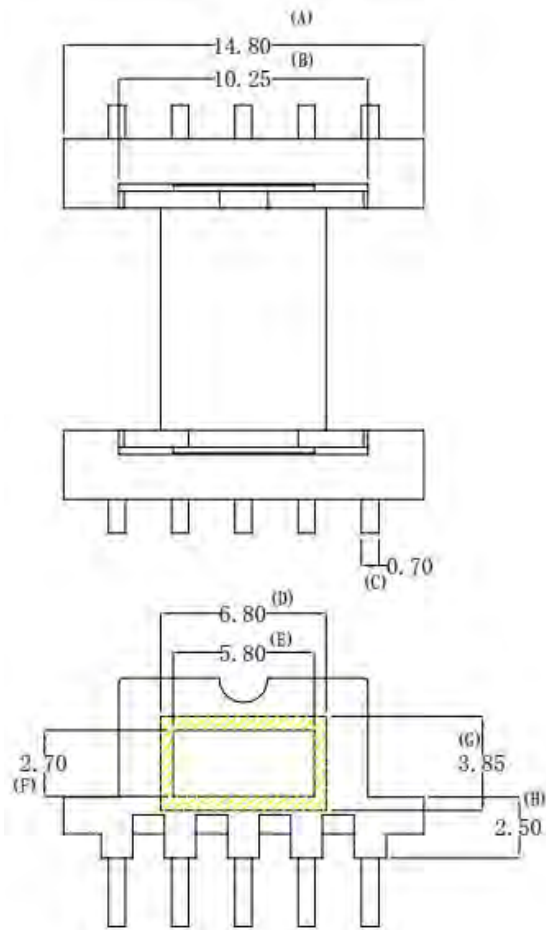
DRAFTED BY	TianXipeng	TOLERANCE		ANGLR: ±1°	MODEL NAME: EFD-15H(4+4) PIN	
CHECKED BY	Jack Wang	0<L≤4 ±0.1 4<L≤16 ±0.2 16<L≤63 ±0.3	Pin pitch ±0.20	UNIT:MM	MATERIAL: PHENOLIC	UL REC: UL 94V-0
 SHANHOM ENTERPRISE CO.,LTD TEL: 029-87851838 FAX:029-87851840 Email: sales@shinhom.com.cn				SCALE: 1/1	TERMINAL MAT:CP WIRE	PIN TENSION LOAD: 1.0 KGS MIN
					DATE: 2015.05.15	DRAWING NO:


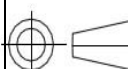


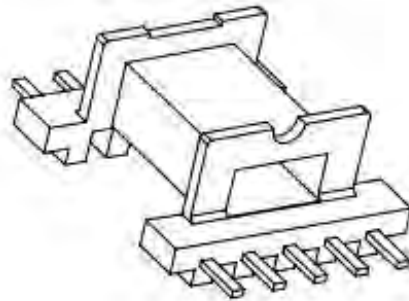
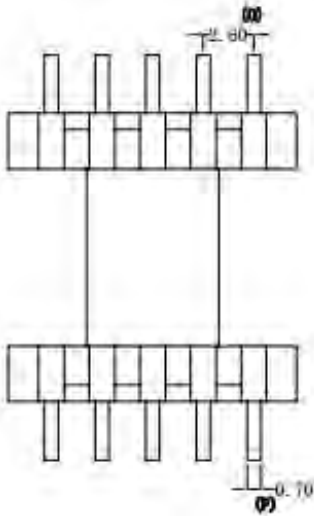
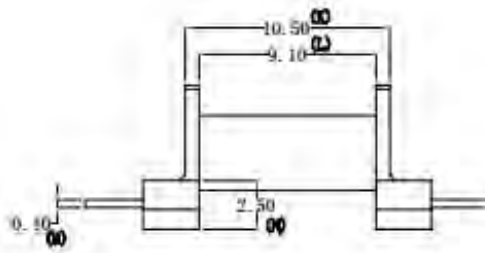
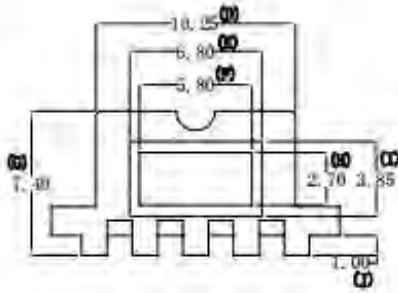
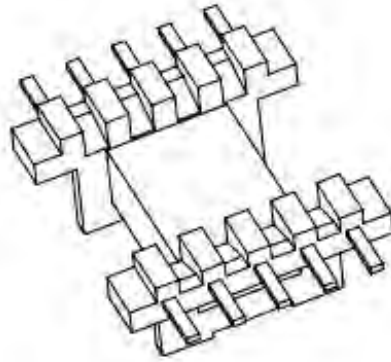
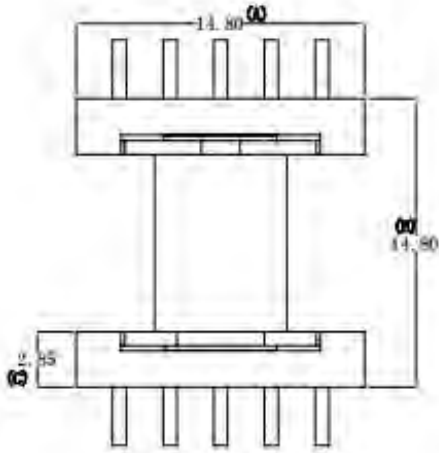
DRAFTED BY	TianXipeng	TOLERANCE		ANGLR: ±1°	MODEL NAME: EFD-15H(5+5) PIN		
CHECKED BY	Jack Wang	0<L≤4 ±0.1 4<L≤16 ±0.2 16<L≤63 ±0.3	Pin pitch ±0.20	UNIT:MM	MATERIAL: PHENOLIC	UL REC: UL 94V-0	
 SHANHOM ENTERPRISE CO.,LTD TEL: 029-87851838 FAX:029-87851840 Email: sales@shinhom.com.cn				SCALE: 1/1	TERMINAL MAT:CP WIRE	PIN TENSION LOAD: 1.0 KGS MIN	
					DATE: 2015.05.15	DRAWING NO:	REV. A


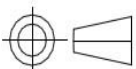


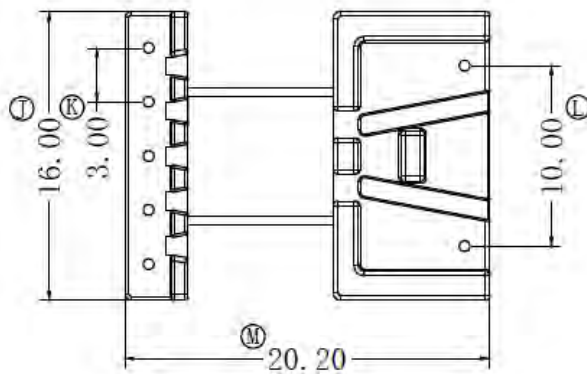
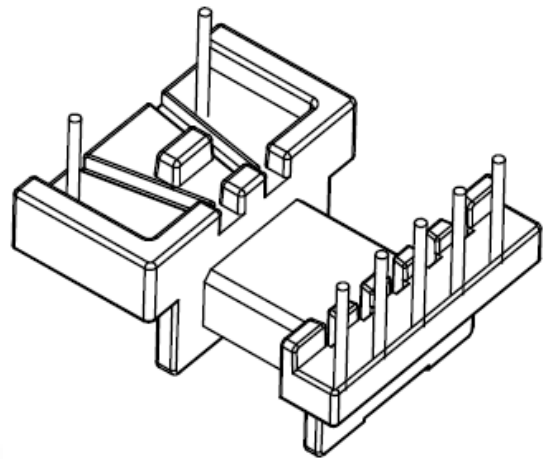
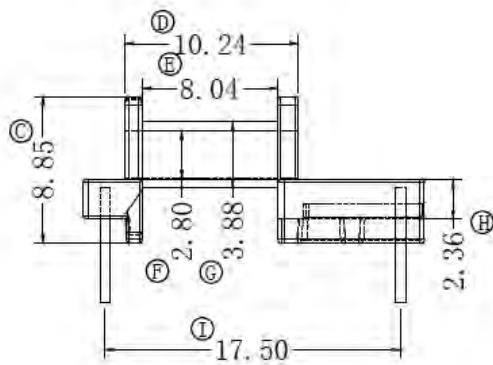
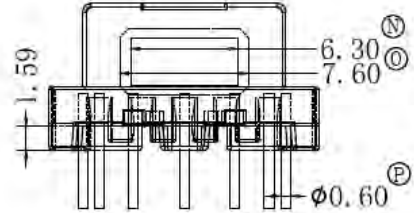
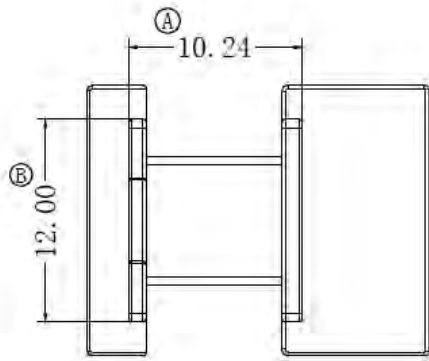
DRAFTED BY	TianXipeng	TOLERANCE		ANGLR: ±1°	MODEL NAME: EFD-15H(4+5) PIN		
CHECKED BY	Jack Wang	0<L≤4 ±0.1	Pin pitch ±0.20	UNIT:MM	MATERIAL: PHENOLIC	UL REC: UL 94V-0	
		4<L≤16 ±0.2					
		16<L≤63 ±0.3			TERMINAL MAT:CP WIRE	PIN TENSION LOAD: 1.0 KGS MIN	
 SHINHOM	SHAANXI SHINHOM ENTERPRISE CO.,LTD TEL: 029-87851838      FAX:029-87851840 Email: sales@shinhom.com.cn			SCALE: 1/1	DATE: 2018.01	DRAWING NO:	REV. A
							


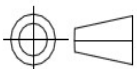


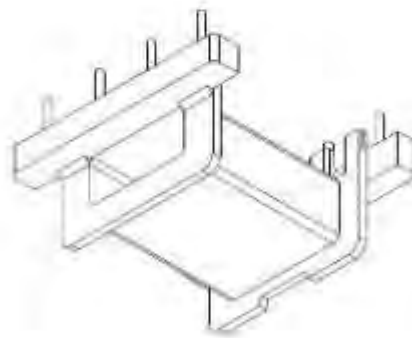
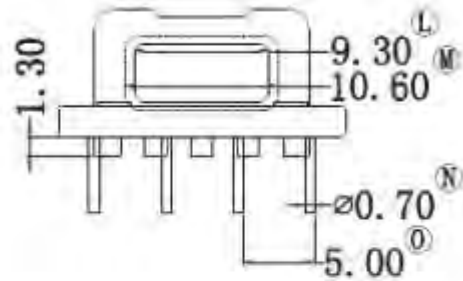
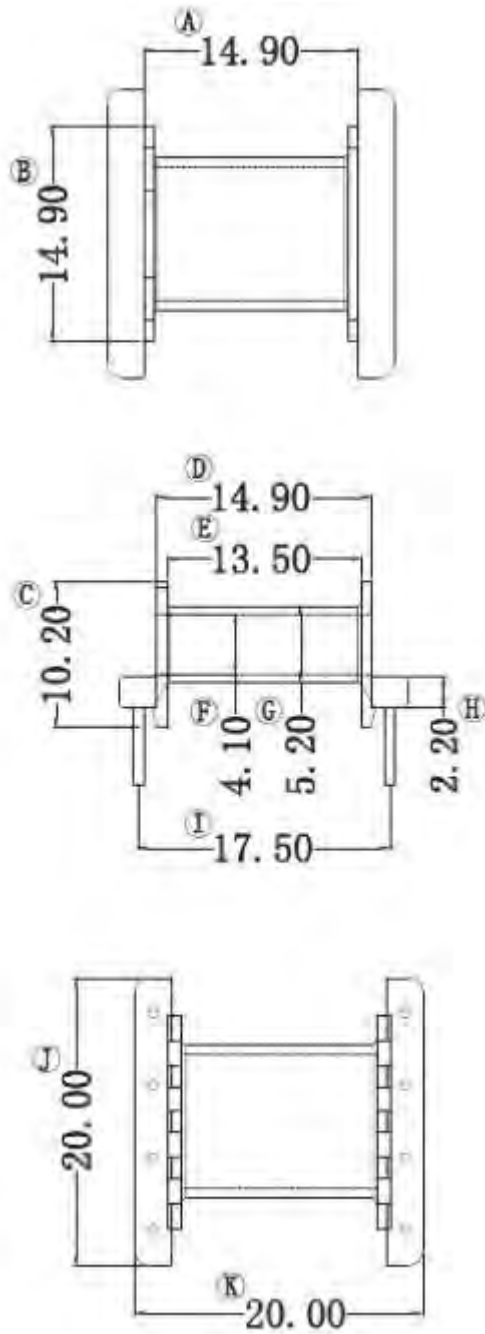
DRAFTED BY	TianXipeng	TOLERANCE		ANGLR: ±1°	MODEL NAME: EFD-15H(5+5) PIN	
CHECKED BY	Jack Wang	0<L≤4 ±0.1 4<L≤16 ±0.2 16<L≤63 ±0.3	Pin pitch ±0.20	UNIT:MM	MATERIAL: PHENOLIC	UL REC: UL 94V-0
 SHINHOM	SHAANXI SHINHOM ENTERPRISE CO.,LTD TEL: 029-87851838 FAX:029-87851840 Email: sales@shinhom.com.cn			SCALE: 1/1	TERMINAL MAT:CP WIRE	PIN TENSION LOAD: 1.0 KGS MIN
					DATE: 2015.05.15	DRAWING NO:


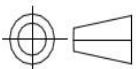


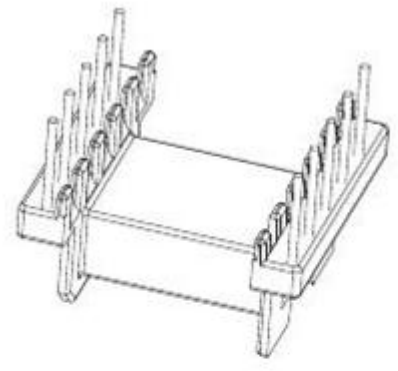
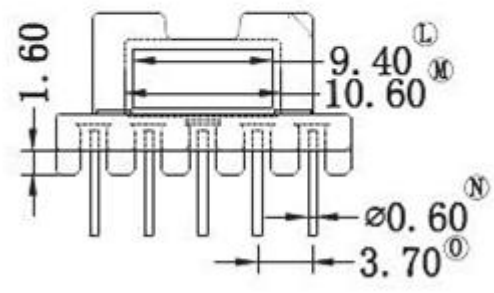
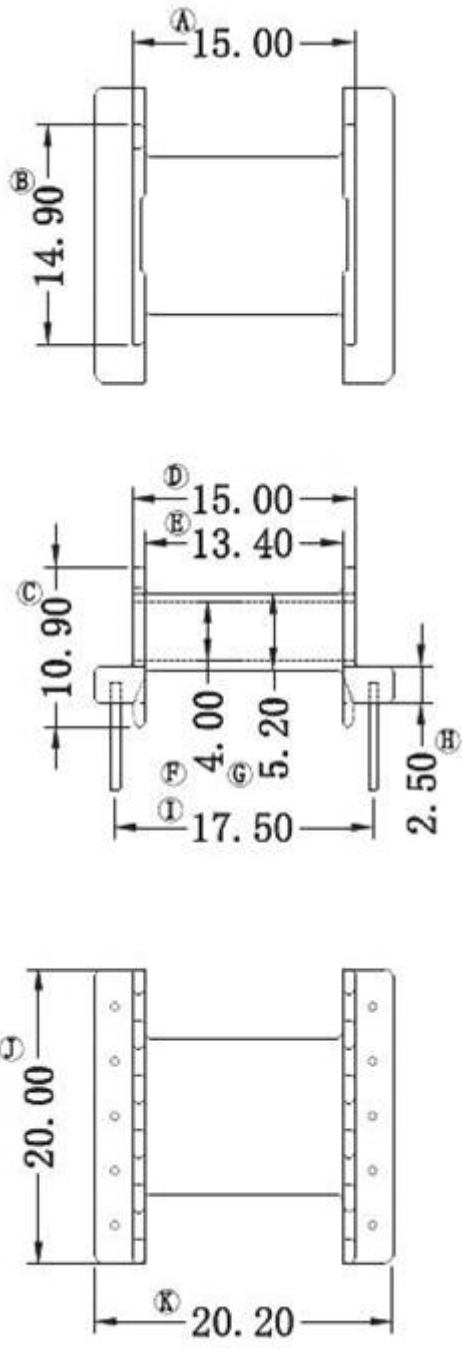
DRAFTED BY	TianXipeng	TOLERANCE		ANGLR: ±1°	MODEL NAME: EFD-15H(5+5) PIN	
CHECKED BY	Jack Wang	0<L≤4 ±0.1 4<L≤16 ±0.2 16<L≤63 ±0.3	Pin pitch ±0.20	UNIT:MM	MATERIAL: PHENOLIC	UL REC: UL 94V-0
 SHANHOM SHAANXI SHINHOM ENTERPRISE CO.,LTD TEL: 029-87851838      FAX:029-87851840 Email: sales@shinhom.com.cn				SCALE: 1/1	TERMINAL MAT:CP WIRE	PIN TENSION LOAD: 1.0 KGS MIN
					DATE: 2015.05.15	DRAWING NO:


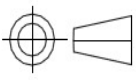


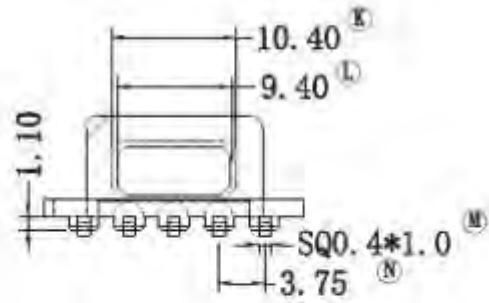
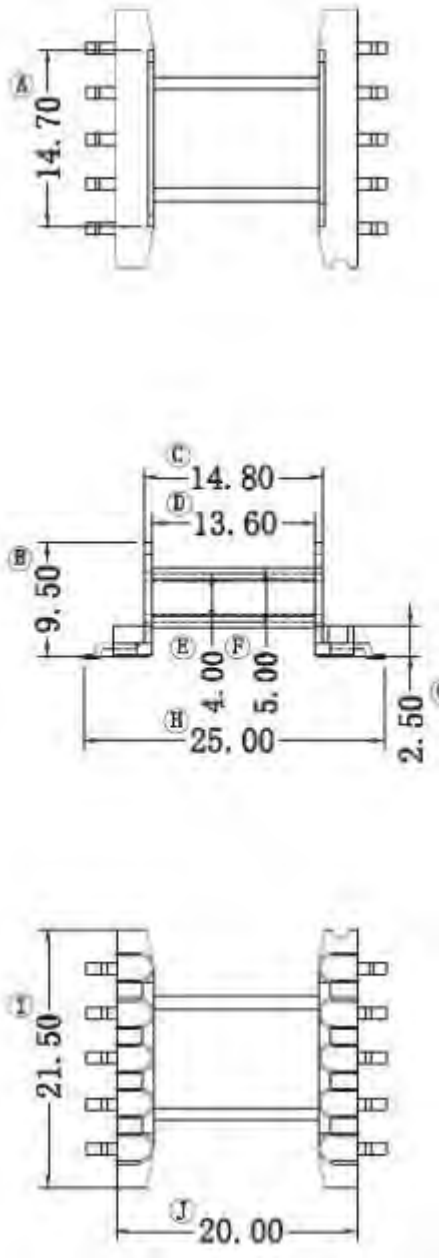
DRAFTED BY	TianXipeng	TOLERANCE		ANGLR: ±1°	MODEL NAME: EFD-16H(5+4) PIN		
CHECKED BY	Jack Wang	0<L≤4 ±0.1 4<L≤16 ±0.2 16<L≤63 ±0.3	Pin pitch ±0.20	UNIT:MM	MATERIAL: PHENOLIC	UL REC: UL 94V-0	
 SHANHOM ENTERPRISE CO.,LTD TEL: 029-87851838 FAX:029-87851840 Email: sales@shinhom.com.cn				SCALE: 1/1	TERMINAL MAT:CP WIRE	PIN TENSION LOAD: 1.0 KGS MIN	
					DATE: 2015.05.15	DRAWING NO:	REV. A


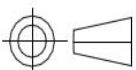


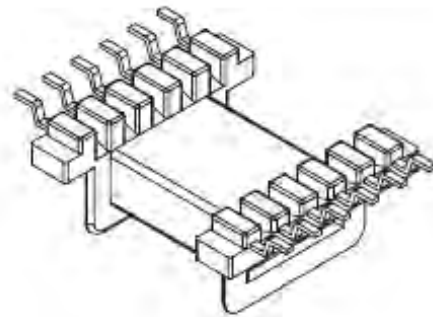
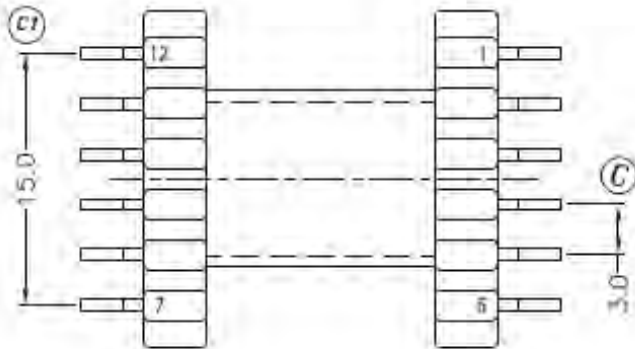
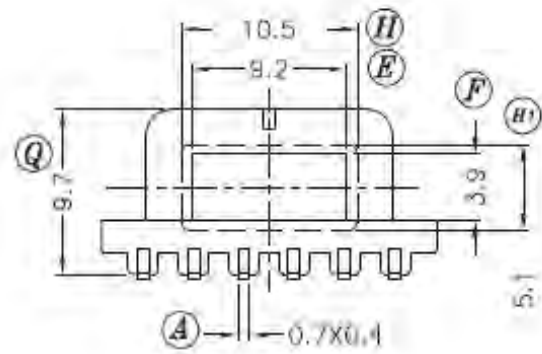
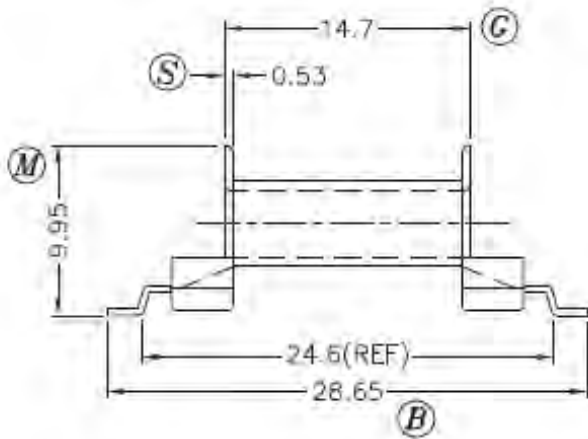
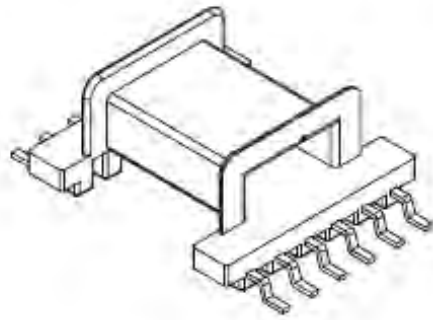
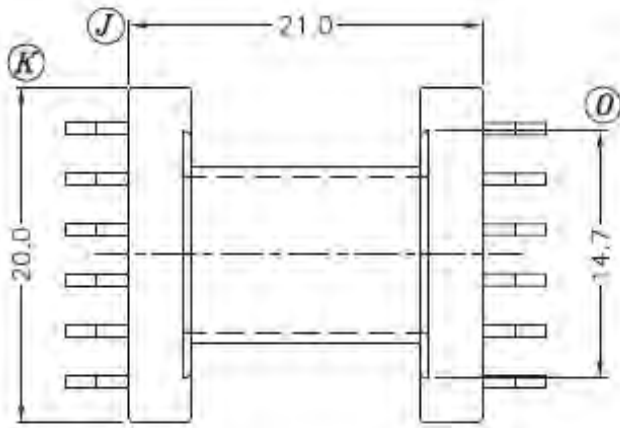
DRAFTED BY	TianXipeng	TOLERANCE		ANGLR: ±1°	MODEL NAME: EFD-20H(4+4) PIN		
CHECKED BY	Jack Wang	0<L≤4 ±0.1 4<L≤16 ±0.2 16<L≤63 ±0.3	Pin pitch ±0.20	UNIT:MM	MATERIAL: PHENOLIC	UL REC: UL 94V-0	
 SHANHOM SHAANXI SHINHOM ENTERPRISE CO.,LTD TEL: 029-87851838      FAX:029-87851840 Email: sales@shinhom.com.cn				SCALE: 1/1	TERMINAL MAT:CP WIRE	PIN TENSION LOAD: 1.0 KGS MIN	
					DATE: 2015.05.15	DRAWING NO:	REV. A


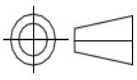


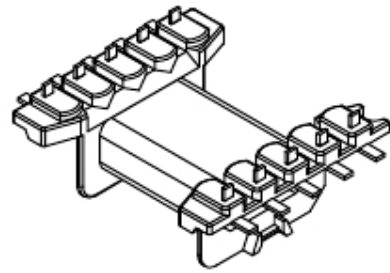
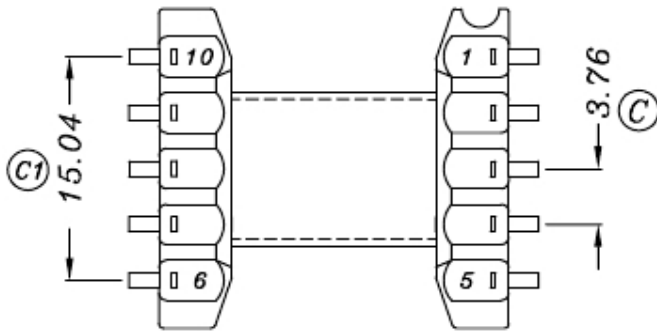
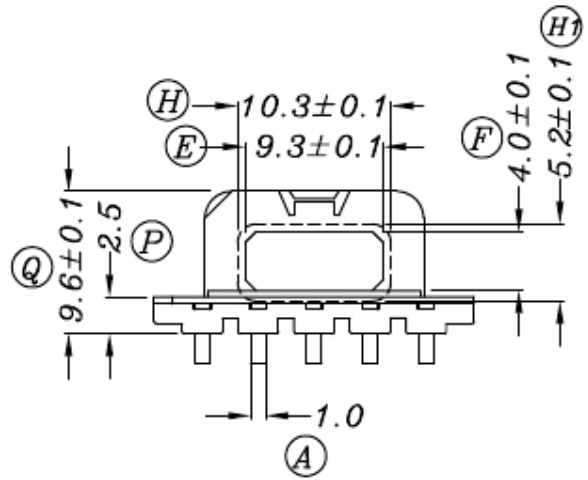
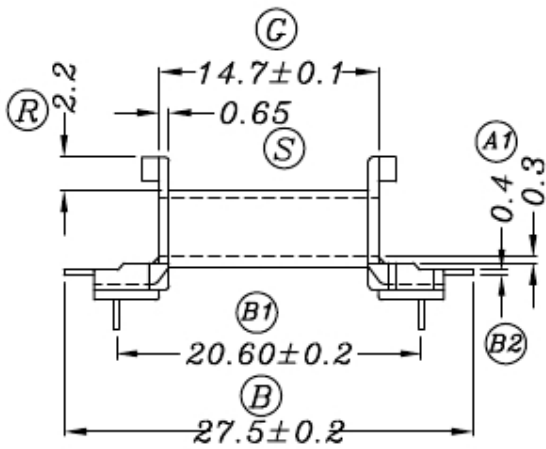
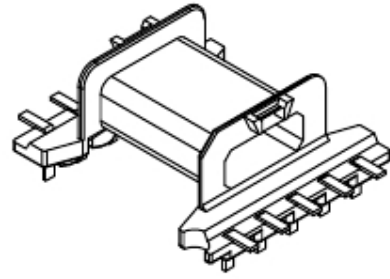
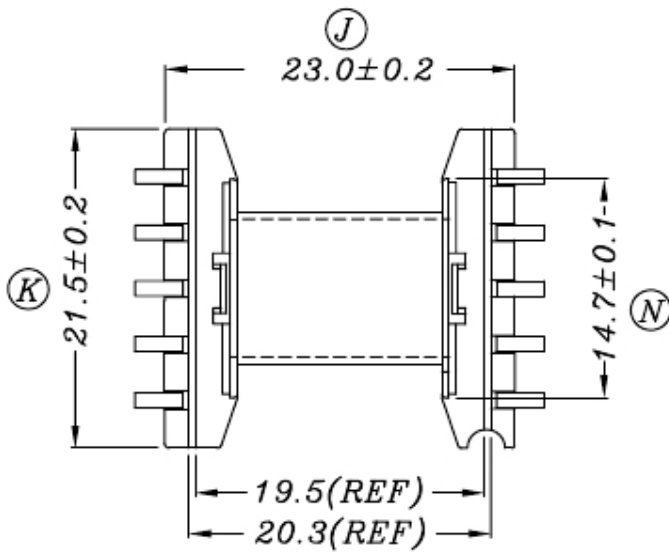
DRAFTED BY	TianXipeng	TOLERANCE		ANGLR: ±1°	MODEL NAME: EFD-20H(5+5) PIN	
CHECKED BY	Jack Wang	0<L≤4 ±0.1 4<L≤16 ±0.2 16<L≤63 ±0.3	Pin pitch ±0.20	UNIT:MM	MATERIAL: PHENOLIC	UL REC: UL 94V-0
 SHANHOM SHAANXI SHINHOM ENTERPRISE CO.,LTD TEL: 029-87851838      FAX:029-87851840 Email: sales@shinhom.com.cn				SCALE: 1/1	TERMINAL MAT:CP WIRE	PIN TENSION LOAD: 1.0 KGS MIN
					DATE: 2015.05.15	DRAWING NO:


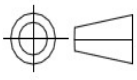


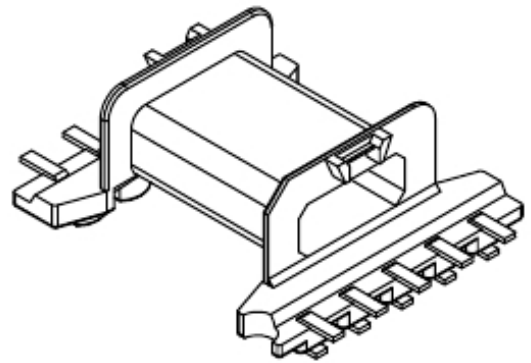
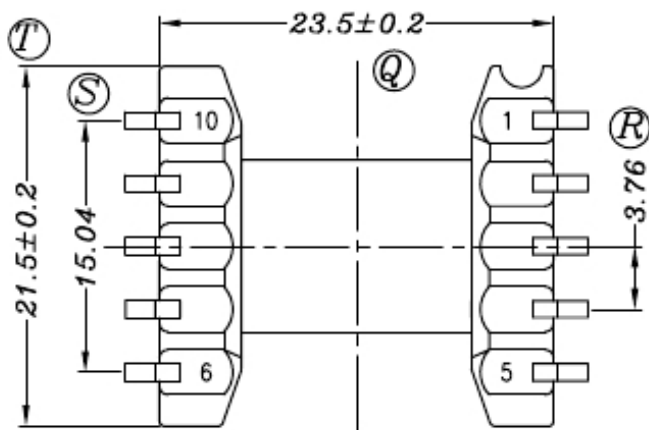
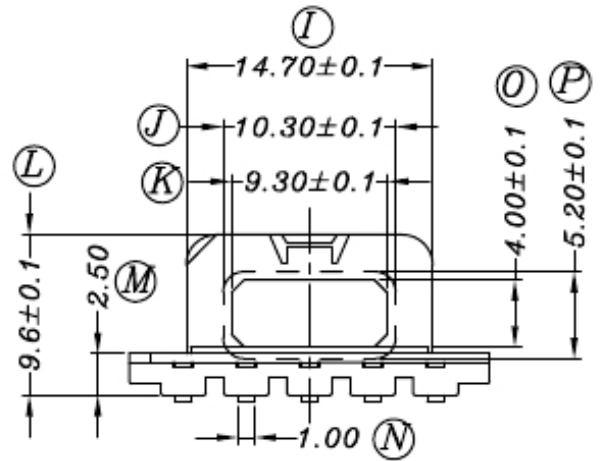
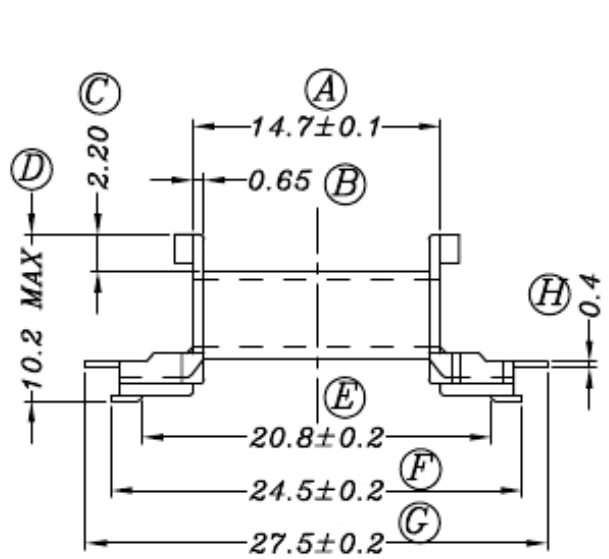
DRAFTED BY	TianXipeng	TOLERANCE		ANGLR: ±1°	MODEL NAME: EFD-20H(5+5) PIN		
CHECKED BY	Jack Wang	0<L≤4 ±0.1 4<L≤16 ±0.2 16<L≤63 ±0.3	Pin pitch ±0.20	UNIT:MM	MATERIAL: PHENOLIC	UL REC: UL 94V-0	
 SHANHOM ENTERPRISE CO.,LTD TEL: 029-87851838 FAX:029-87851840 Email: sales@shinhom.com.cn				SCALE: 1/1	TERMINAL MAT:CP WIRE	PIN TENSION LOAD: 1.0 KGS MIN	
					DATE: 2015.05.15	DRAWING NO:	REV. A


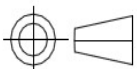


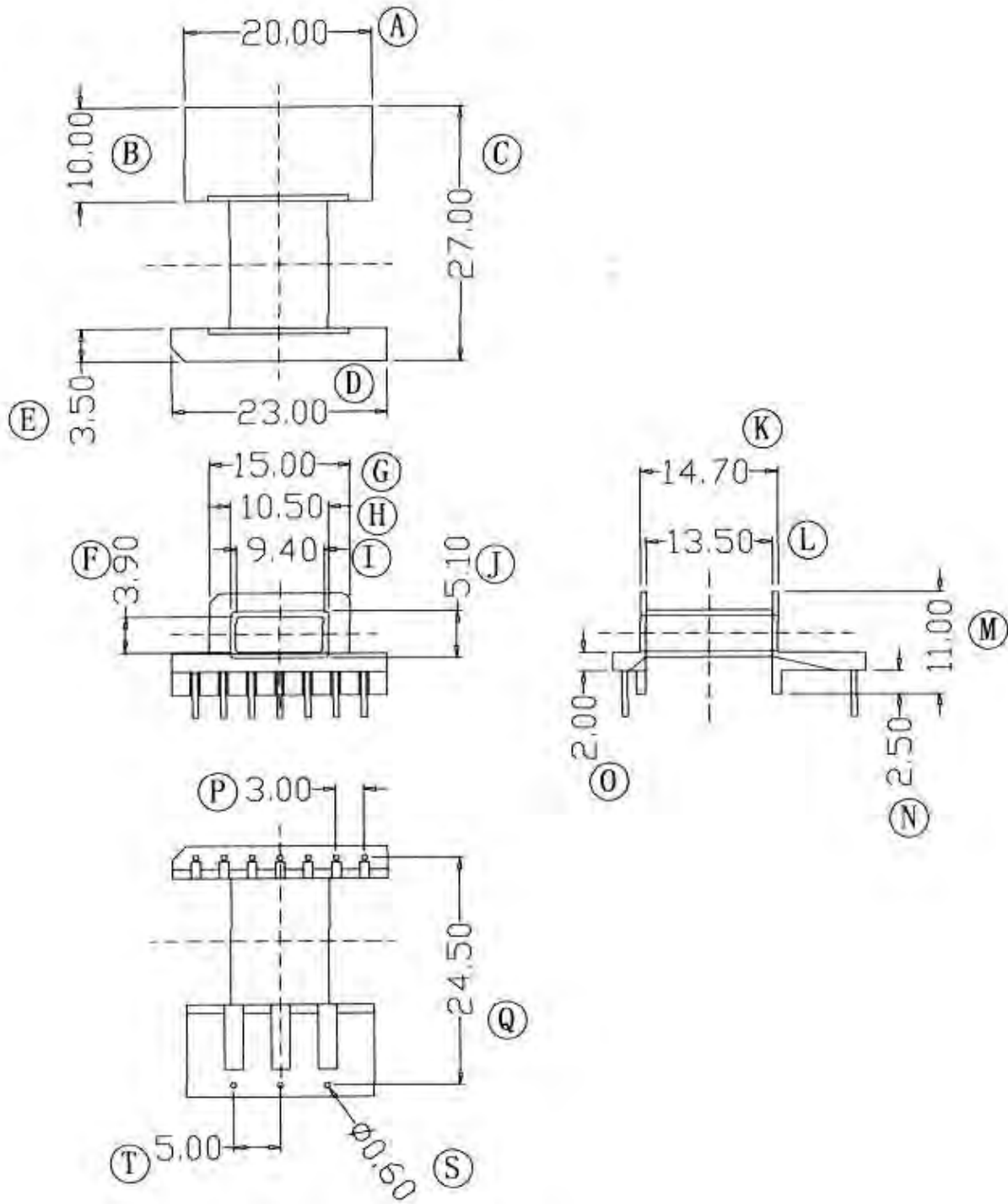
DRAFTED BY	TianXipeng	TOLERANCE		ANGLR: ±1°	MODEL NAME: EFD-20SMD(6+6) PIN		
CHECKED BY	Jack Wang	0<L≤4 ±0.1 4<L≤16 ±0.2 16<L≤63 ±0.3	Pin pitch ±0.20	UNIT:MM	MATERIAL: PHENOLIC	UL REC: UL 94V-0	
 SHANHOM ENTERPRISE CO.,LTD TEL: 029-87851838 FAX:029-87851840 Email: sales@shinhom.com.cn				SCALE: 1/1	TERMINAL MAT:CP WIRE	PIN TENSION LOAD: 1.0 KGS MIN	
					DATE: 2015.05.15	DRAWING NO:	REV. A


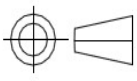


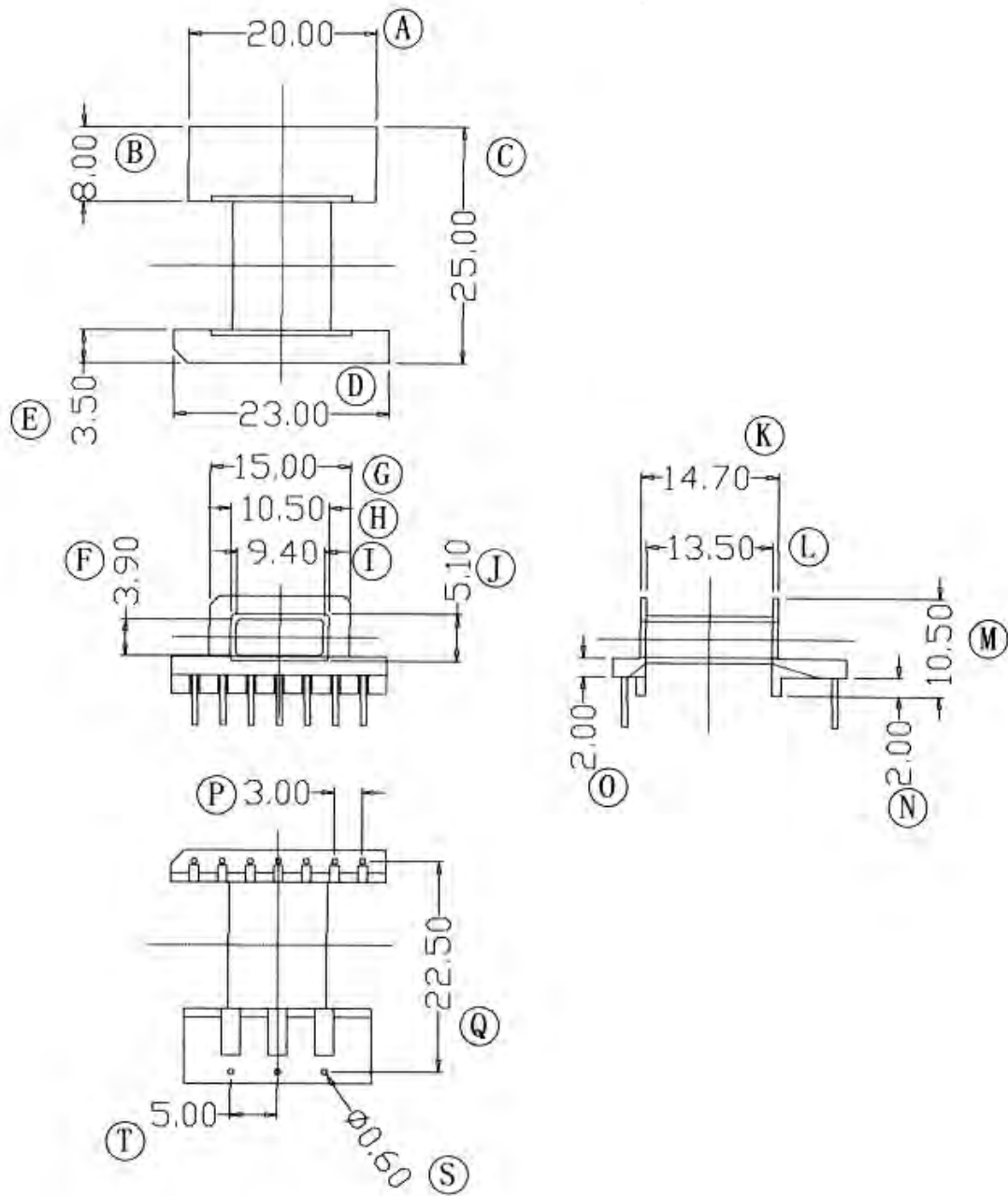
DRAFTED BY	TianXipeng	TOLERANCE		ANGLR: $\pm 1^\circ$	MODEL NAME: EFD-20SMD(5+5) PIN		
CHECKED BY	Jack Wang	$0 < L \leq 4 \pm 0.1$ $4 < L \leq 16 \pm 0.2$ $16 < L \leq 63 \pm 0.3$	Pin pitch $\pm 0.20$	UNIT:MM	MATERIAL: PHENOLIC	UL REC: UL 94V-0	
 SHANHOM SHAANXI SHINHOM ENTERPRISE CO.,LTD TEL: 029-87851838      FAX:029-87851840 Email: sales@shinhom.com.cn				SCALE: 1/1	TERMINAL MAT:CP WIRE	PIN TENSION LOAD: 1.0 KGS MIN	
					DATE: 2015.05.15	DRAWING NO:	REV. A


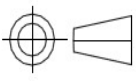


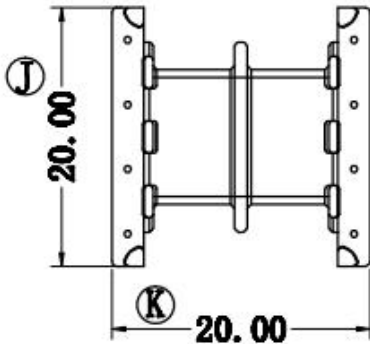
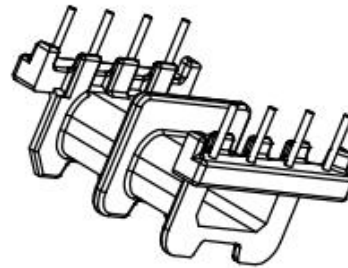
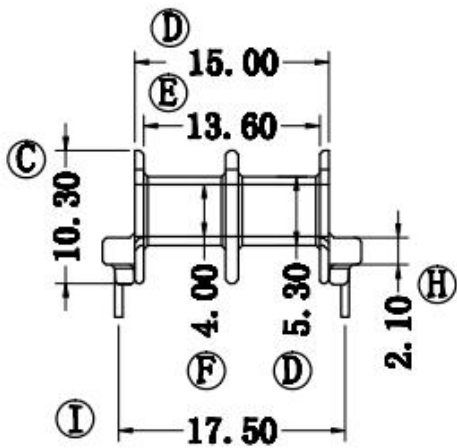
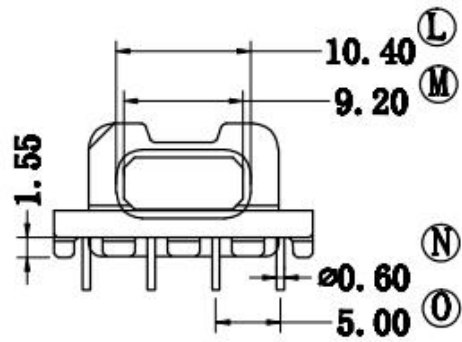
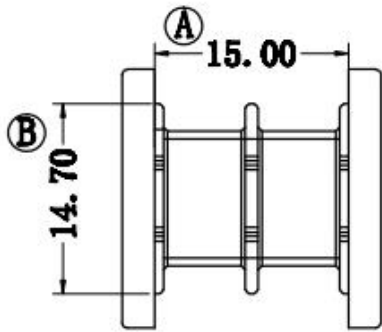
DRAFTED BY	TianXipeng	TOLERANCE		ANGLR: $\pm 1^\circ$	MODEL NAME: EFD-20SMD(5+5) PIN	
CHECKED BY	Jack Wang	$0 < L \leq 4 \pm 0.1$ $4 < L \leq 16 \pm 0.2$ $16 < L \leq 63 \pm 0.3$	Pin pitch $\pm 0.20$	UNIT:MM	MATERIAL: PHENOLIC	UL REC: UL 94V-0
 SHANHOM SHAANXI SHINHOM ENTERPRISE CO.,LTD TEL: 029-87851838      FAX:029-87851840 Email: sales@shinhom.com.cn				SCALE: 1/1	TERMINAL MAT:CP WIRE	PIN TENSION LOAD: 1.0 KGS MIN
					DATE: 2015.05.15	DRAWING NO:


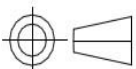


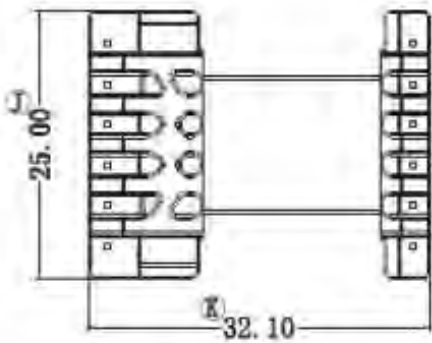
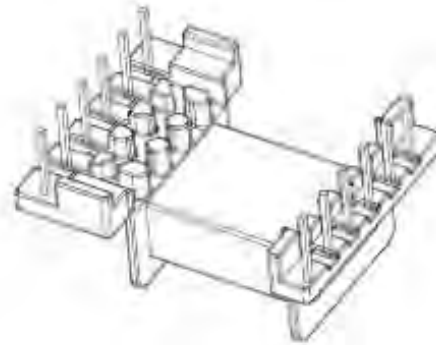
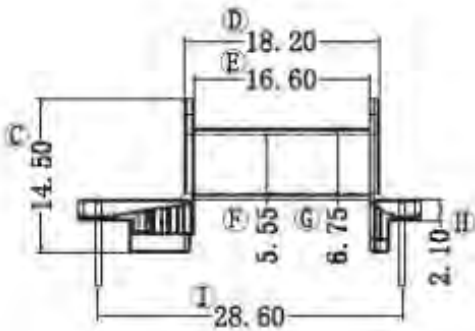
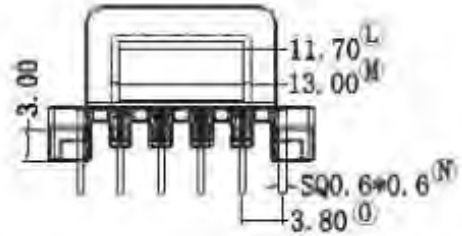
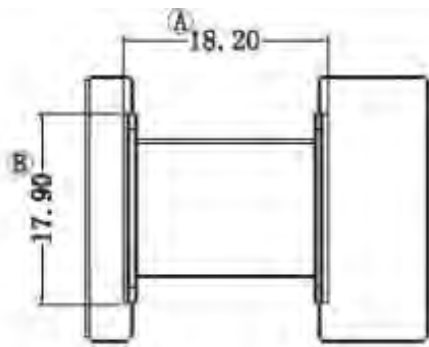
DRAFTED BY	TianXipeng	TOLERANCE		ANGLR: ±1°	MODEL NAME: EFD-20H(7+3) PIN	
CHECKED BY	Jack Wang	0<L≤4 ±0.1 4<L≤16 ±0.2 16<L≤63 ±0.3	Pin pitch ±0.20	UNIT:MM	MATERIAL: PHENOLIC	UL REC: UL 94V-0
 SHANHOM SHAANXI SHINHOM ENTERPRISE CO.,LTD TEL: 029-87851838      FAX:029-87851840 Email: sales@shinhom.com.cn				SCALE: 1/1	TERMINAL MAT:CP WIRE	PIN TENSION LOAD: 1.0 KGS MIN
					DATE: 2015.05.15	DRAWING NO:


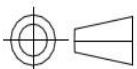


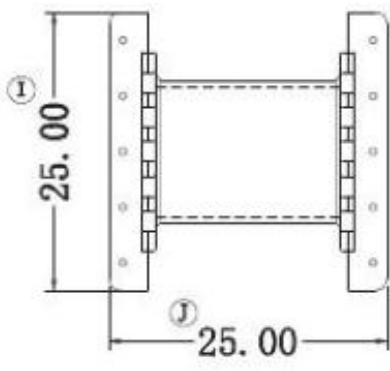
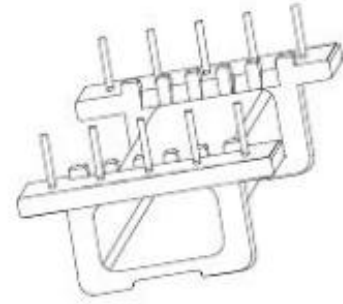
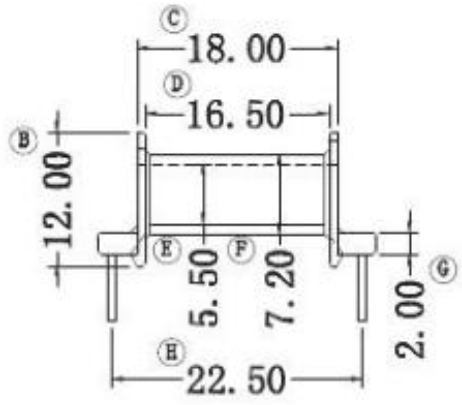
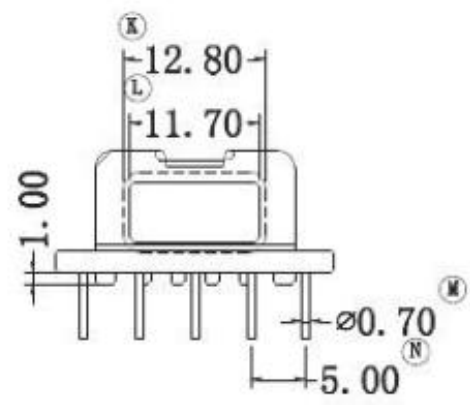
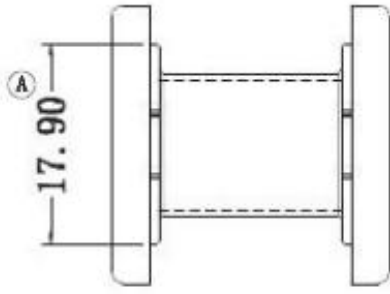
DRAFTED BY	TianXipeng	TOLERANCE		ANGLR: ±1°	MODEL NAME: EFD-20H(7+3) PIN	
CHECKED BY	Jack Wang	0<L≤4 ±0.1 4<L≤16 ±0.2 16<L≤63 ±0.3	Pin pitch ±0.20	UNIT:MM	MATERIAL: PHENOLIC	UL REC: UL 94V-0
 SHANHOM SHAANXI SHINHOM ENTERPRISE CO.,LTD TEL: 029-87851838      FAX:029-87851840 Email: sales@shinhom.com.cn				SCALE: 1/1	TERMINAL MAT:CP WIRE	PIN TENSION LOAD: 1.0 KGS MIN
					DATE: 2015.05.15	DRAWING NO:


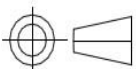


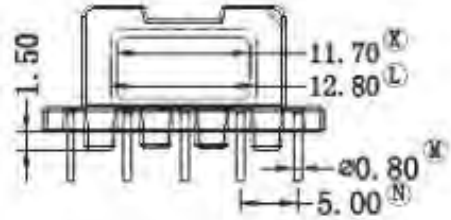
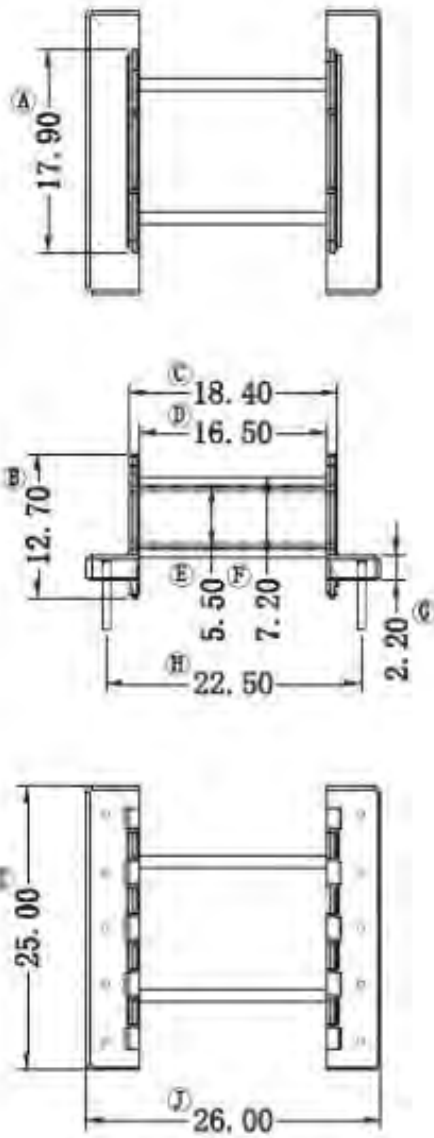
DRAFTED BY	TianXipeng	TOLERANCE		ANGLR: ±1°	MODEL NAME: EFD-20H(2SEC4+4)PIN		
CHECKED BY	Jack Wang	0<L≤4 ±0.1 4<L≤16 ±0.2 16<L≤63 ±0.3	Pin pitch ±0.20	UNIT:MM	MATERIAL: PHENOLIC	UL REC: UL 94V-0	
 SHANHOM SHAANXI SHINHOM ENTERPRISE CO.,LTD TEL: 029-87851838      FAX:029-87851840 Email: sales@shinhom.com.cn				SCALE: 1/1	TERMINAL MAT:CP WIRE	PIN TENSION LOAD: 1.0 KGS MIN	
					DATE: 2016.02.18	DRAWING NO:	REV. A


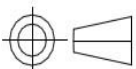


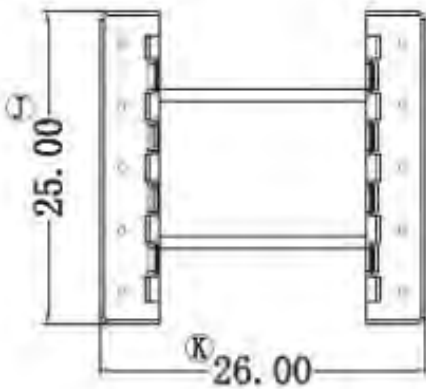
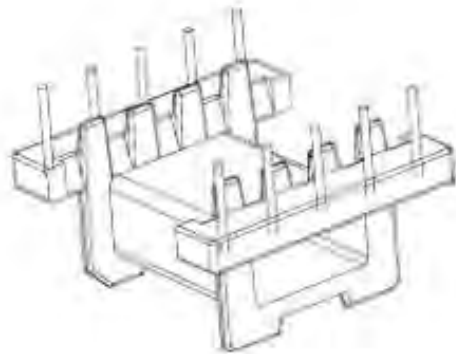
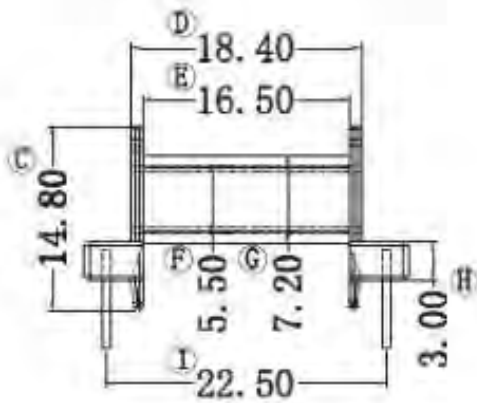
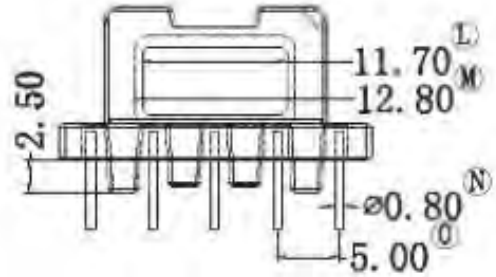
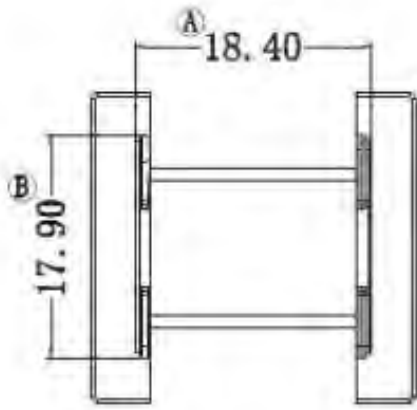
DRAFTED BY	TianXipeng	TOLERANCE		ANGLR: ±1°	MODEL NAME: EFD-25H(6+6) PIN		
CHECKED BY	Jack Wang	0<L≤4 ±0.1 4<L≤16 ±0.2 16<L≤63 ±0.3	Pin pitch ±0.20	UNIT:MM	MATERIAL: PHENOLIC	UL REC: UL 94V-0	
 SHANHOM ENTERPRISE CO.,LTD TEL: 029-87851838 FAX:029-87851840 Email: sales@shinhom.com.cn				SCALE: 1/1	TERMINAL MAT:CP WIRE	PIN TENSION LOAD: 1.0 KGS MIN	
					DATE: 2014.03.28	DRAWING NO:	REV. A


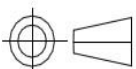


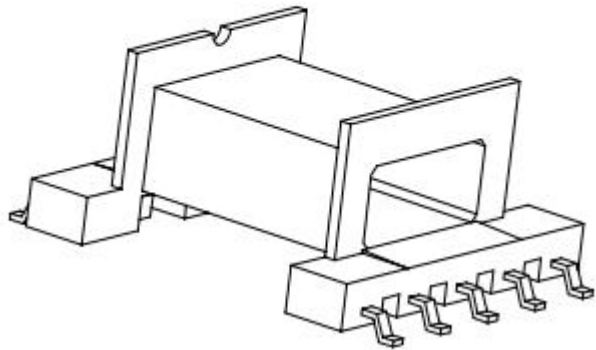
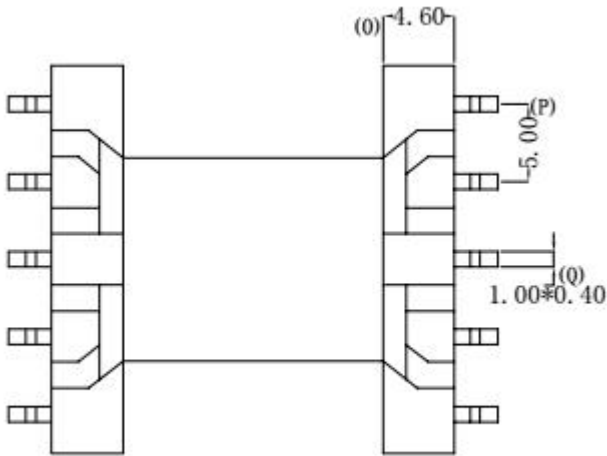
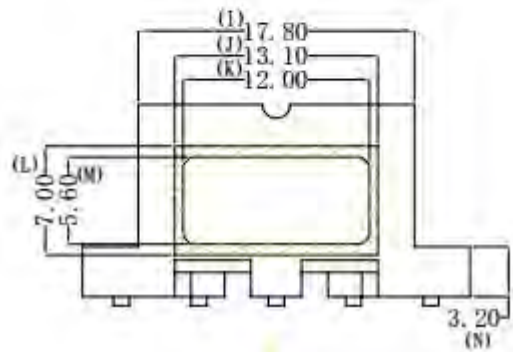
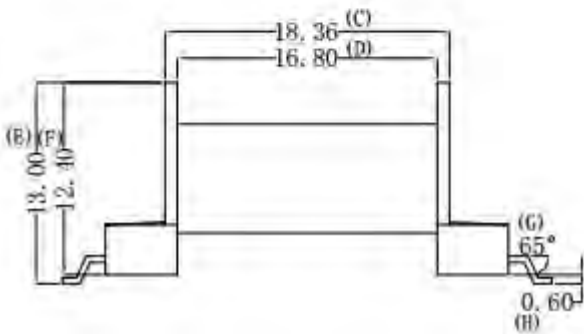
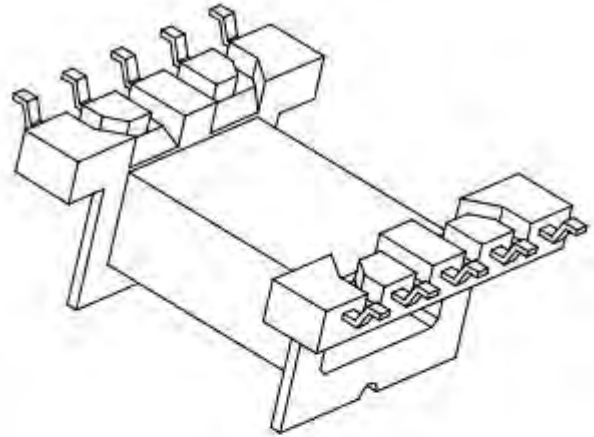
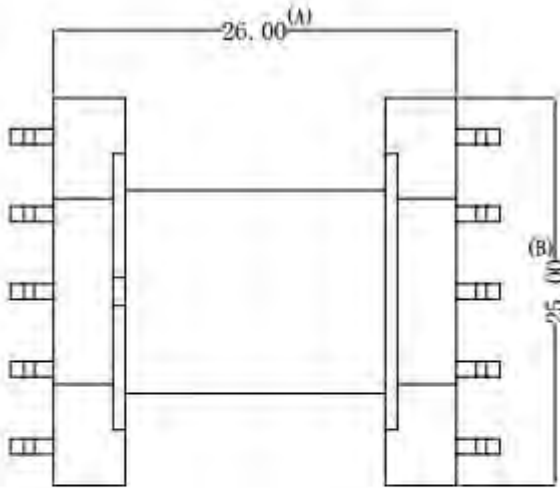
DRAFTED BY	TianXipeng	TOLERANCE		ANGLR: ±1°	MODEL NAME: EFD-25H(5+5) PIN		
CHECKED BY	Jack Wang	0<L≤4 ±0.1 4<L≤16 ±0.2 16<L≤63 ±0.3	Pin pitch ±0.20	UNIT:MM	MATERIAL: PHENOLIC	UL REC: UL 94V-0	
 SHAANXI SHINHOM ENTERPRISE CO.,LTD TEL: 029-87851838      FAX:029-87851840 Email: sales@shinhom.com.cn				SCALE: 1/1	TERMINAL MAT:CP WIRE	PIN TENSION LOAD: 1.0 KGS MIN	
					DATE: 2015.05.15	DRAWING NO:	REV. A


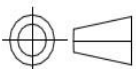


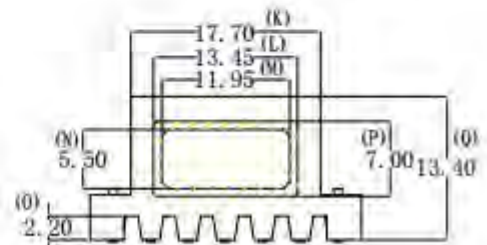
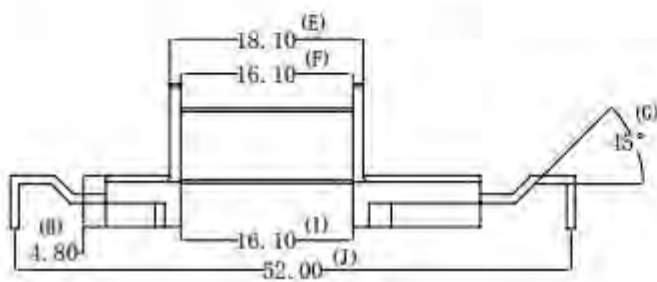
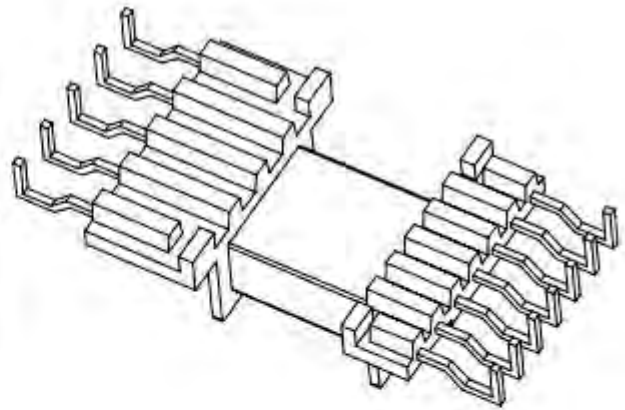
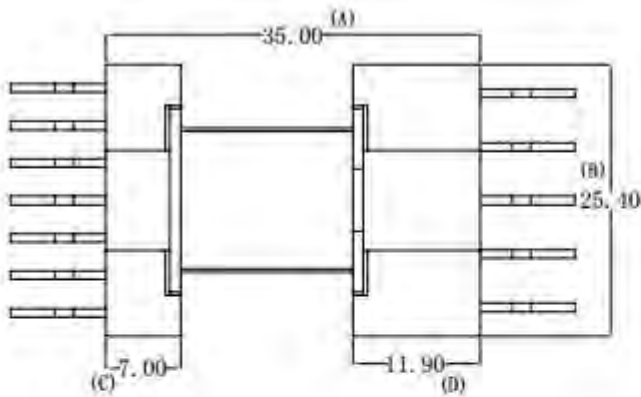
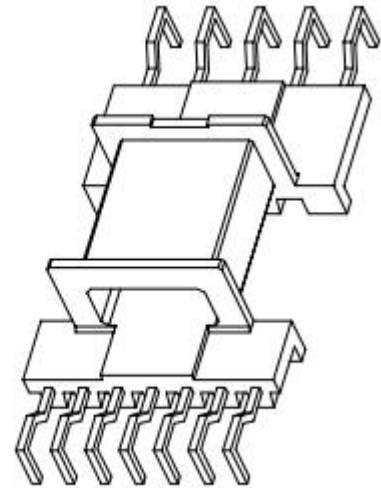
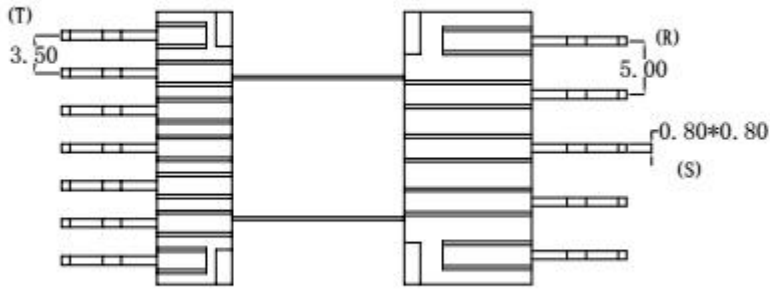
DRAFTED BY	TianXipeng	TOLERANCE		ANGLR: ±1°	MODEL NAME: EFD-25H(5+5) PIN		
CHECKED BY	Jack Wang	0<L≤4 ±0.1 4<L≤16 ±0.2 16<L≤63 ±0.3	Pin pitch ±0.20	UNIT:MM	MATERIAL: PHENOLIC	UL REC: UL 94V-0	
 SHANHOM ENTERPRISE CO.,LTD TEL: 029-87851838 FAX:029-87851840 Email: sales@shinhom.com.cn				SCALE: 1/1	TERMINAL MAT:CP WIRE	PIN TENSION LOAD: 1.0 KGS MIN	
					DATE: 2015.05.15	DRAWING NO:	REV. A


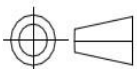


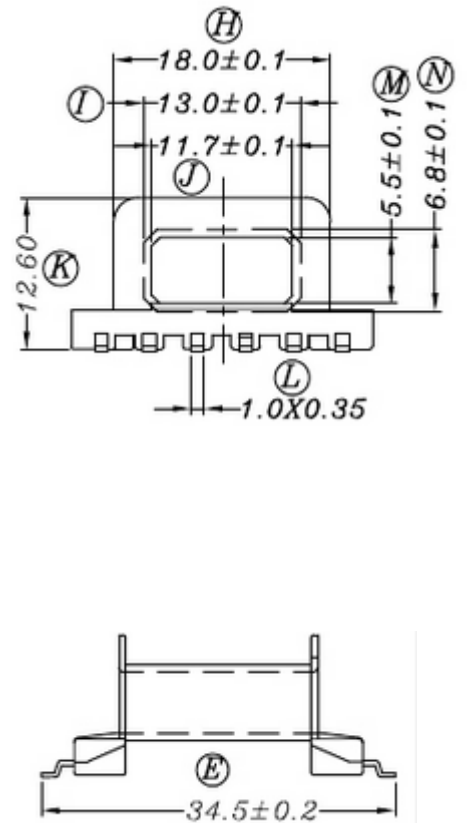
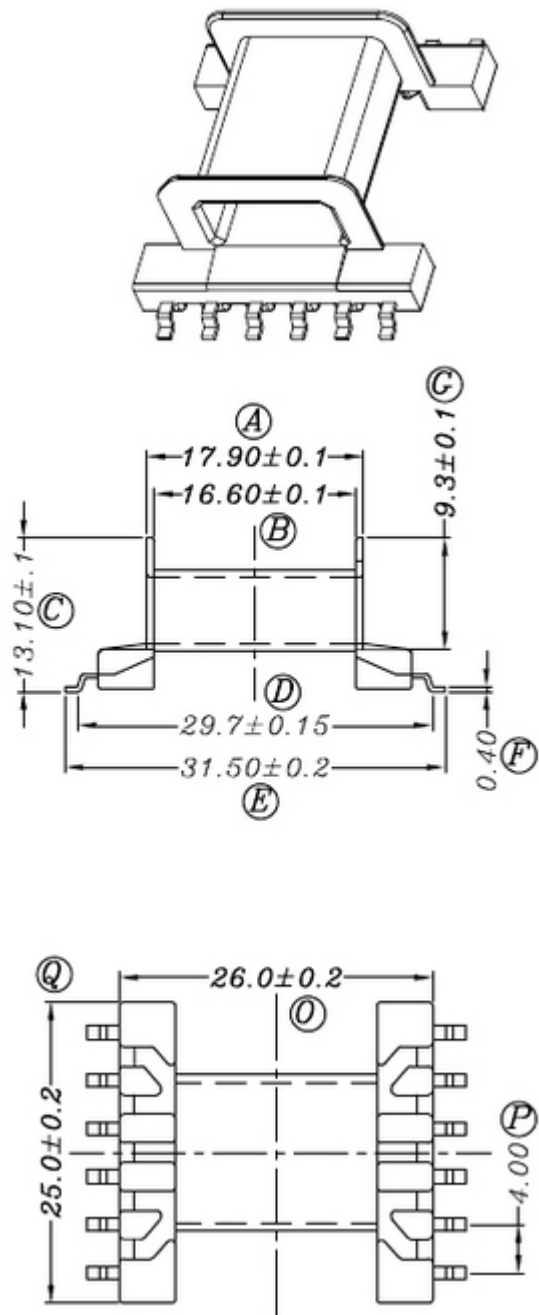
DRAFTED BY	TianXipeng	TOLERANCE		ANGLR: ±1°	MODEL NAME: EFD-25H(5+5) PIN		
CHECKED BY	Jack Wang	0<L≤4 ±0.1 4<L≤16 ±0.2 16<L≤63 ±0.3	Pin pitch ±0.20	UNIT:MM	MATERIAL: PHENOLIC	UL REC: UL 94V-0	
 SHANHOM ENTERPRISE CO.,LTD TEL: 029-87851838 FAX:029-87851840 Email: sales@shinhom.com.cn				SCALE: 1/1	TERMINAL MAT:CP WIRE	PIN TENSION LOAD: 1.0 KGS MIN	
					DATE: 2015.05.15	DRAWING NO:	REV. A


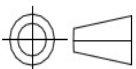


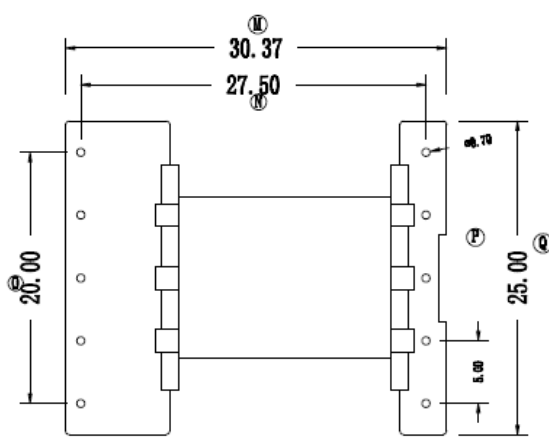
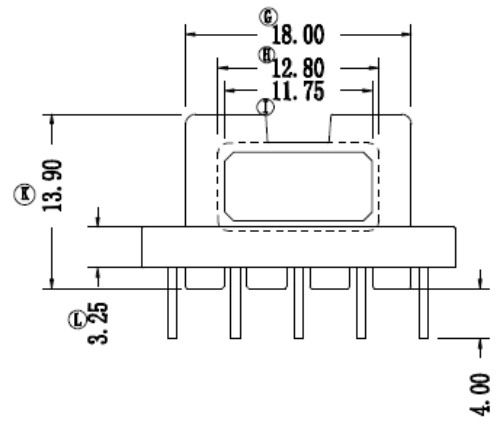
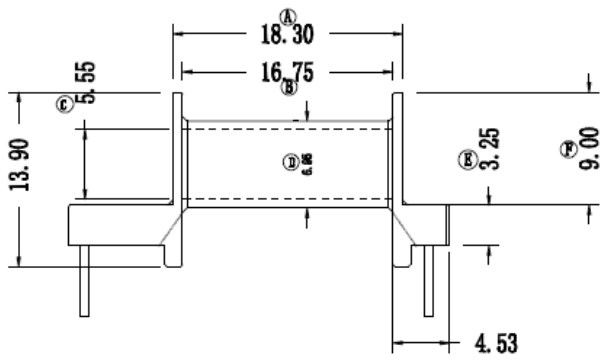
DRAFTED BY	TianXipeng	TOLERANCE		ANGLR: ±1°	MODEL NAME: EFD-25H(5+5) PIN		
CHECKED BY	Jack Wang	0<L≤4 ±0.1 4<L≤16 ±0.2 16<L≤63 ±0.3	Pin pitch ±0.20	UNIT:MM	MATERIAL: PHENOLIC	UL REC: UL 94V-0	
 SHINHOM Email: sales@shinhom.com.cn	SHAANXI SHINHOM ENTERPRISE CO.,LTD TEL: 029-87851838      FAX:029-87851840			SCALE: 1/1	TERMINAL MAT:CP WIRE	PIN TENSION LOAD: 1.0 KGS MIN	
						DATE: 2014.03.28	DRAWING NO:


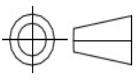


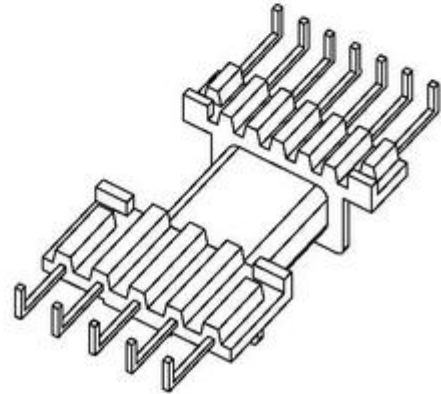
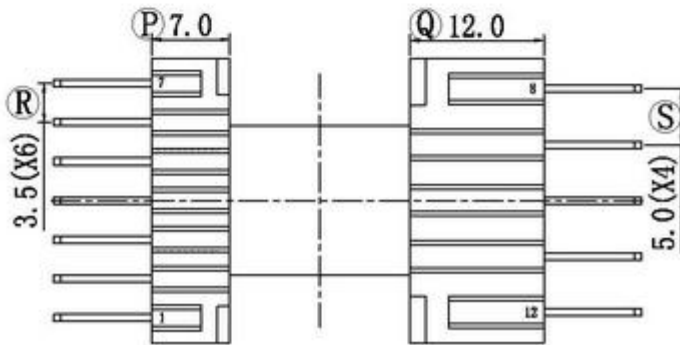
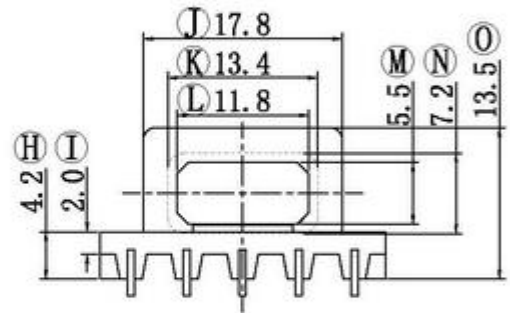
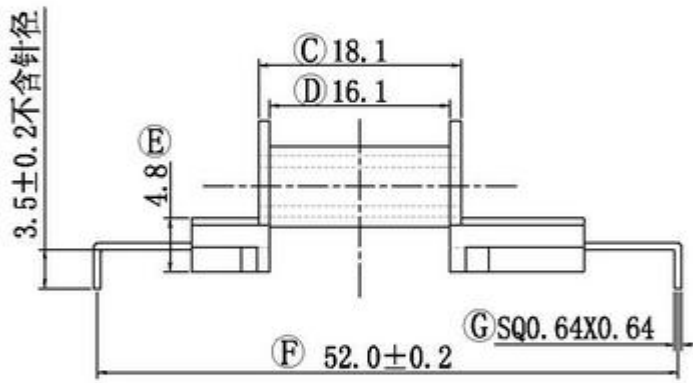
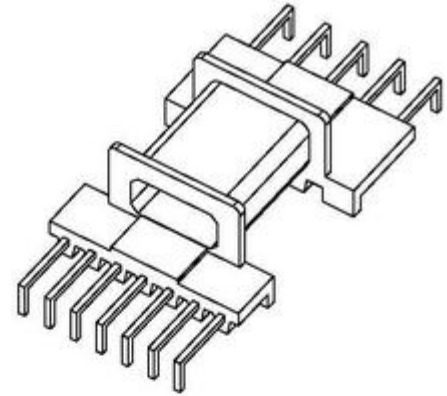
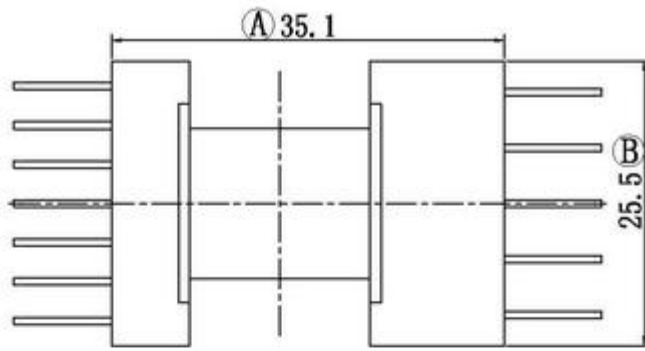
DRAFTED BY	TianXipeng	TOLERANCE		ANGLR: ±1°	MODEL NAME: EFD-25H(5+7) PIN		
CHECKED BY	Jack Wang	0<L≤4 ±0.1 4<L≤16 ±0.2 16<L≤63 ±0.3	Pin pitch ±0.20	UNIT:MM	MATERIAL: PHENOLIC	UL REC: UL 94V-0	
 SHANHOM SHAANXI SHINHOM ENTERPRISE CO.,LTD TEL: 029-87851838      FAX:029-87851840 Email: sales@shinhom.com.cn				SCALE: 1/1	TERMINAL MAT:CP WIRE	PIN TENSION LOAD: 1.0 KGS MIN	
					DATE: 2015.05.15	DRAWING NO:	REV. A


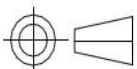


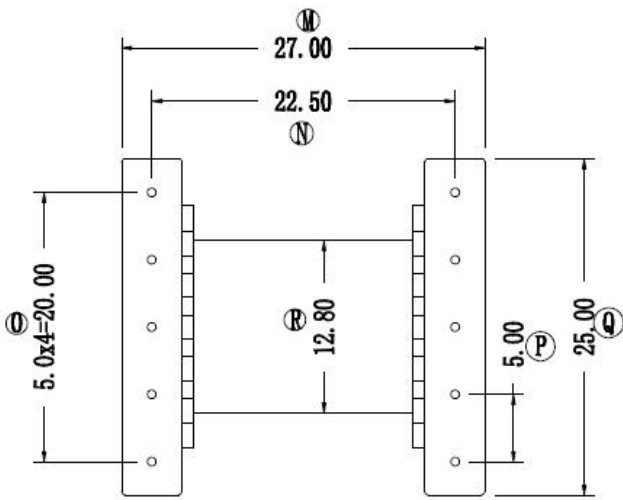
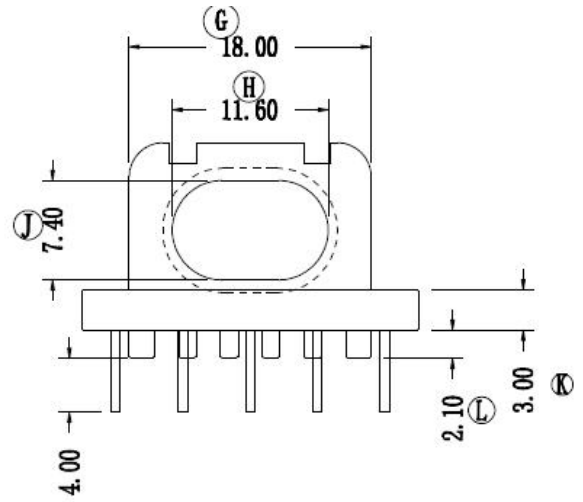
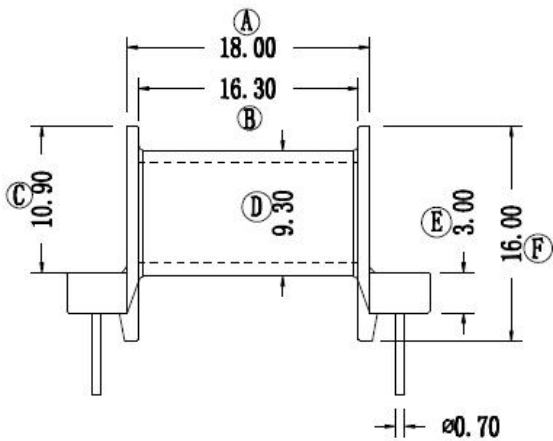
DRAFTED BY	TianXipeng	TOLERANCE		ANGLR: $\pm 1^\circ$	MODEL NAME: EFD-25SMD(6+6) PIN		
CHECKED BY	Jack Wang	$0 < L \leq 4 \pm 0.1$ $4 < L \leq 16 \pm 0.2$ $16 < L \leq 63 \pm 0.3$	Pin pitch $\pm 0.20$	UNIT:MM	MATERIAL: PHENOLIC	UL REC: UL 94V-0	
 SHANHOM SHAANXI SHINHOM ENTERPRISE CO.,LTD TEL: 029-87851838      FAX:029-87851840 Email: sales@shinhom.com.cn				SCALE: 1/1	TERMINAL MAT:CP WIRE	PIN TENSION LOAD: 1.0 KGS MIN	
					DATE: 2015.05.15	DRAWING NO:	REV. A


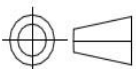


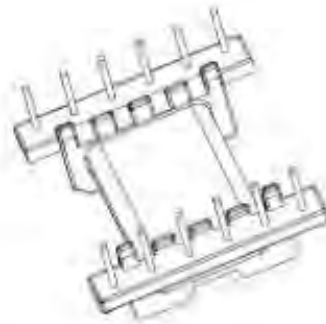
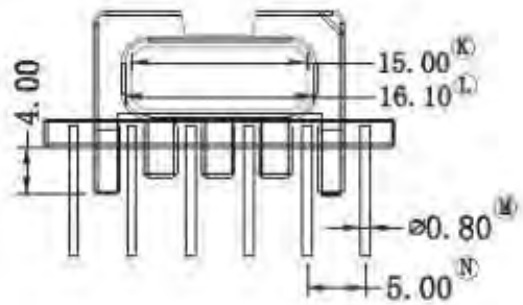
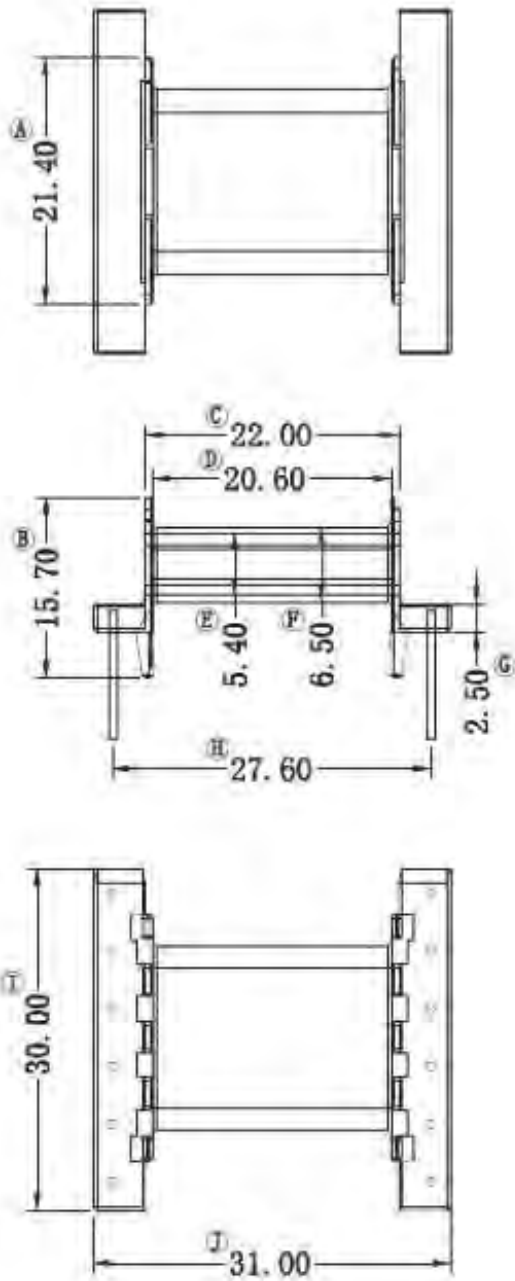
DRAFTED BY	TianXipeng	TOLERANCE		ANGLR: ±1°	MODEL NAME: EFD-25H(5+5) PIN		
CHECKED BY	Jack Wang	0<L≤4 ±0.1 4<L≤16 ±0.2 16<L≤63 ±0.3	Pin pitch ±0.20	UNIT:MM	MATERIAL: PHENOLIC	UL REC: UL 94V-0	
 SHANHOM SHAANXI SHINHOM ENTERPRISE CO.,LTD TEL: 029-87851838      FAX:029-87851840 Email: sales@shinhom.com.cn				SCALE: 1/1	TERMINAL MAT:CP WIRE	PIN TENSION LOAD: 1.0 KGS MIN	
					DATE: 2014.03.28	DRAWING NO:	REV. A


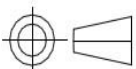


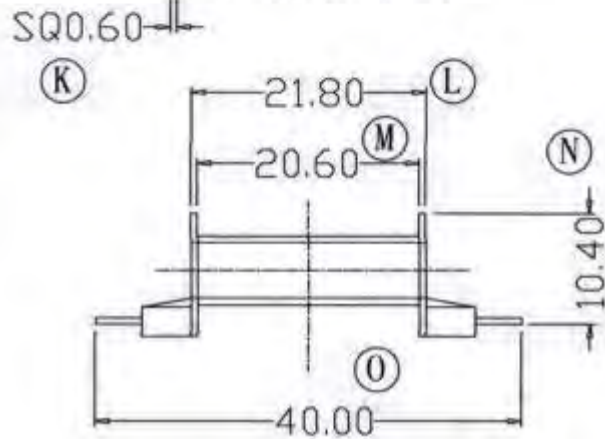
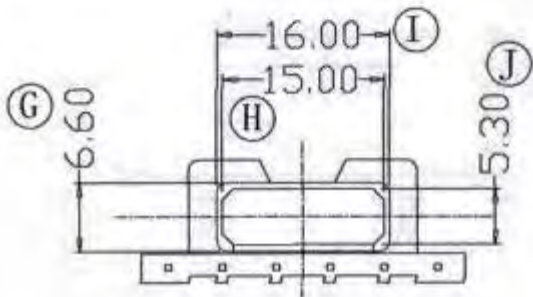
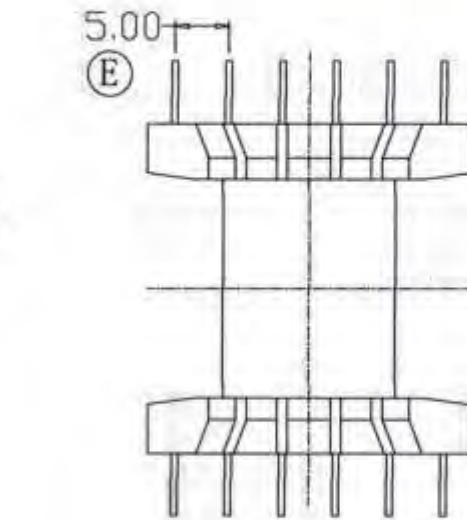
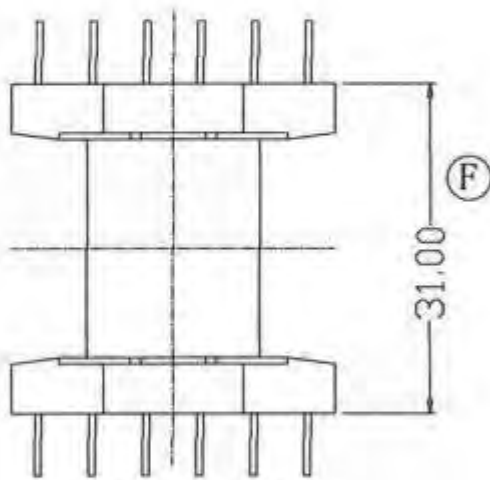
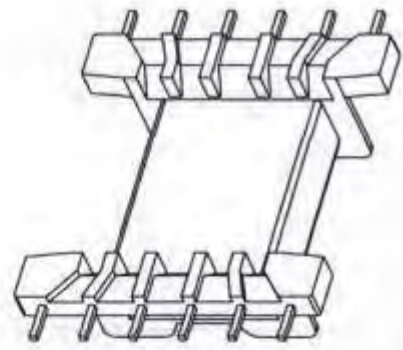
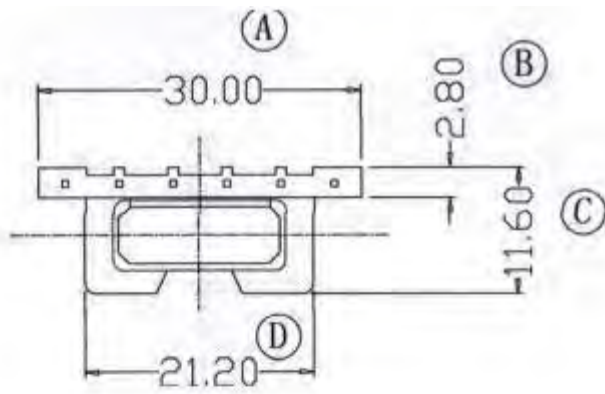
DRAFTED BY	TianXipeng	TOLERANCE		ANGLR: ±1°	MODEL NAME: EFD-25H (7+5) PIN		
CHECKED BY	Jack Wang	0<L≤4 ±0.1 4<L≤16 ±0.2 16<L≤63 ±0.3	Pin pitch ±0.20	UNIT:MM	MATERIAL: PHENOLIC	UL REC: UL 94V-0	
 SHANHOM SHAANXI SHINHOM ENTERPRISE CO.,LTD TEL: 029-87851838 FAX:029-87851840 Email: sales@shinhom.com.cn				SCALE: 1/1	TERMINAL MAT:CP WIRE	PIN TENSION LOAD: 1.0 KGS MIN	
					DATE: 2015.05.15	DRAWING NO:	REV. A


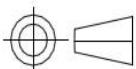


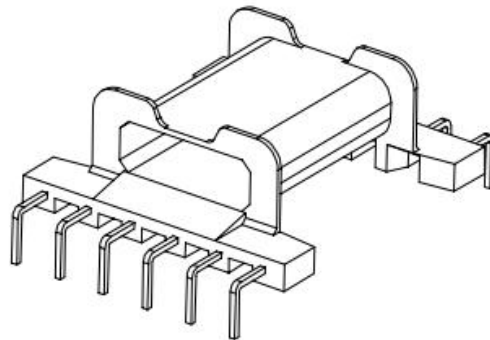
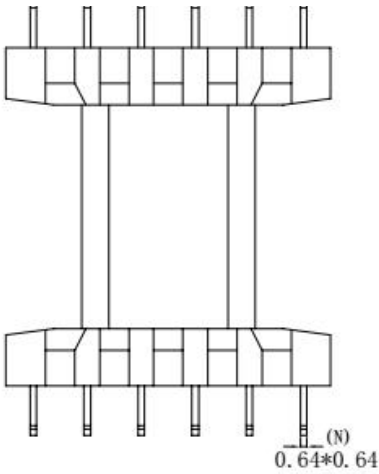
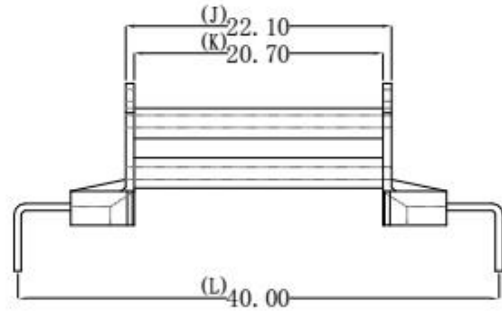
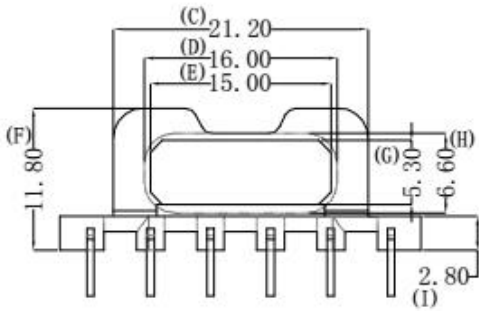
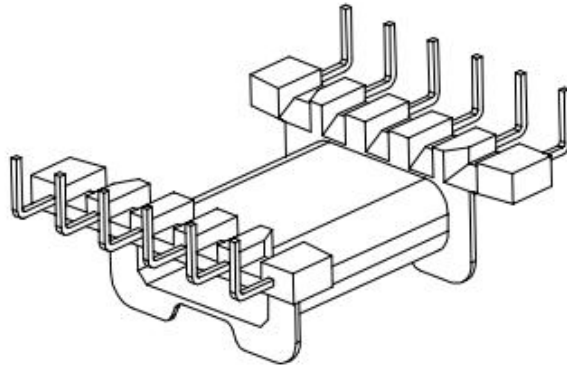
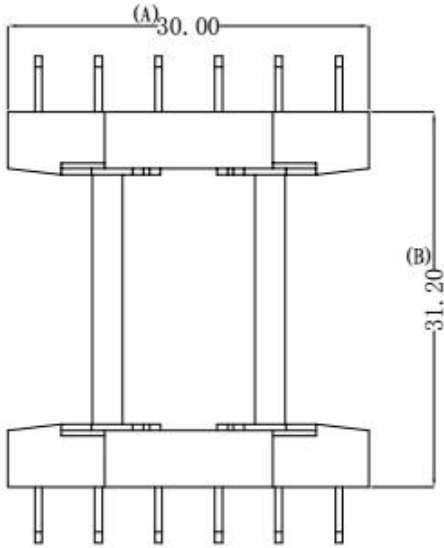
DRAFTED BY	TianXipeng	TOLERANCE		ANGLR: ±1°	MODEL NAME: EFD-25H(5+5) PIN	
CHECKED BY	Jack Wang	0<L≤4 ±0.1 4<L≤16 ±0.2 16<L≤63 ±0.3	Pin pitch ±0.20	UNIT:MM	MATERIAL: PHENOLIC	UL REC: UL 94V-0
 SHANHOM SHAANXI SHINHOM ENTERPRISE CO.,LTD TEL: 029-87851838      FAX:029-87851840 Email: sales@shinhom.com.cn				SCALE: 1/1	TERMINAL MAT:CP WIRE	PIN TENSION LOAD: 1.0 KGS MIN
					DATE: 2015.05.15	DRAWING NO:


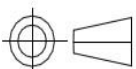


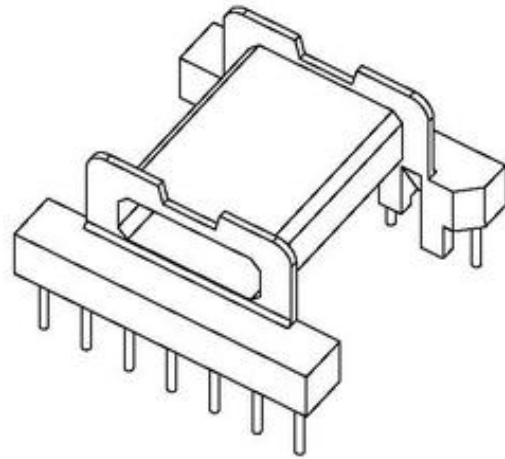
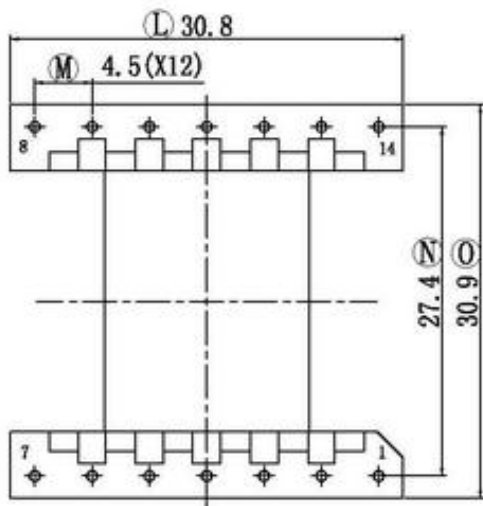
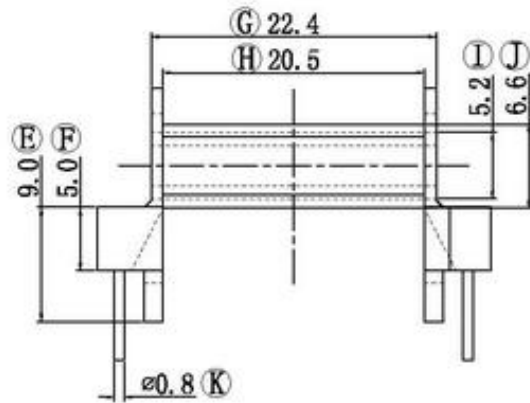
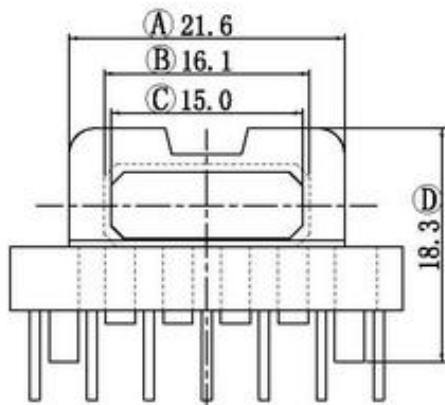
DRAFTED BY	TianXipeng	TOLERANCE		ANGLR: $\pm 1^\circ$	MODEL NAME: EFD-30H(6+6) PIN		
CHECKED BY	Jack Wang	0 < L ≤ 4 ± 0.1 4 < L ≤ 16 ± 0.2 16 < L ≤ 63 ± 0.3	Pin pitch ± 0.20	UNIT:MM	MATERIAL: PHENOLIC	UL REC: UL 94V-0	
 SHANHOM SHAANXI SHINHOM ENTERPRISE CO.,LTD TEL: 029-87851838      FAX:029-87851840 Email: sales@shinhom.com.cn				SCALE: 1/1	TERMINAL MAT:CP WIRE	PIN TENSION LOAD: 1.0 KGS MIN	
					DATE: 2014.03.28	DRAWING NO:	REV. A


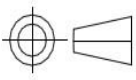


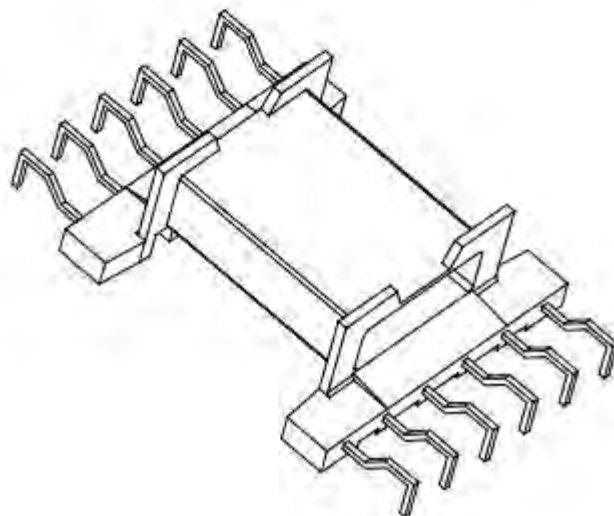
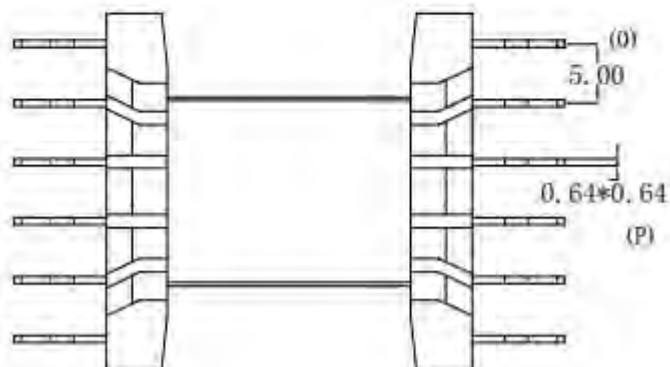
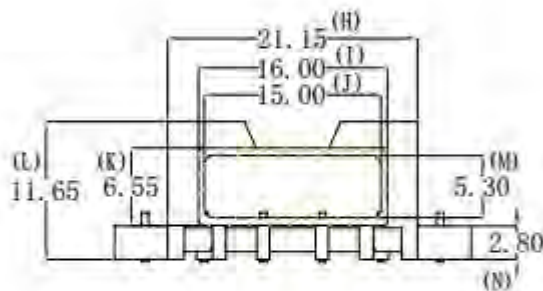
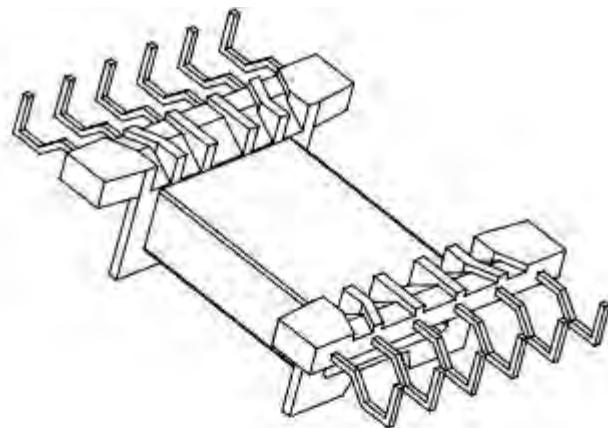
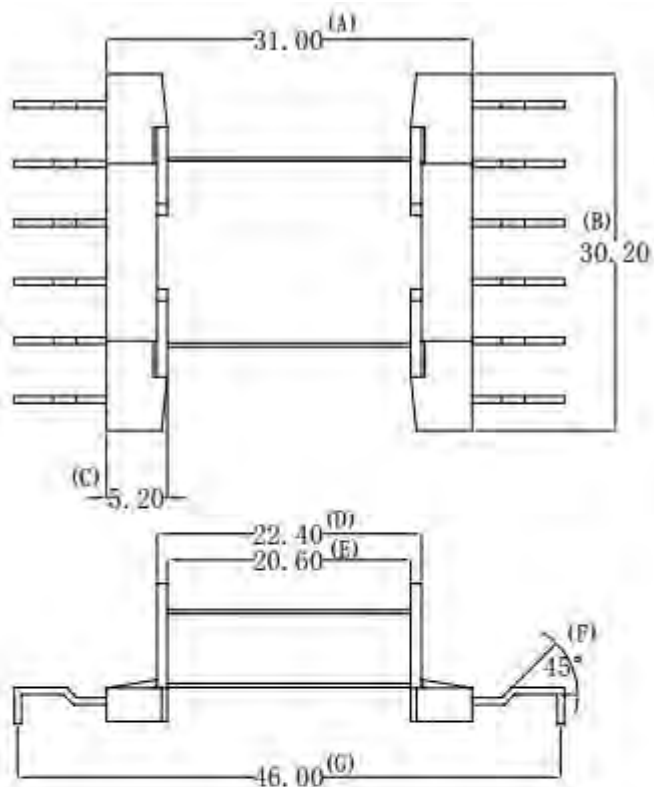
DRAFTED BY	TianXipeng	TOLERANCE		ANGLR: ±1°	MODEL NAME: EFD-30H(6+6) PIN	
CHECKED BY	Jack Wang	0<L≤4 ±0.1 4<L≤16 ±0.2 16<L≤63 ±0.3	Pin pitch ±0.20	UNIT:MM	MATERIAL: PHENOLIC	UL REC: UL 94V-0
 SHANHOM SHAANXI SHINHOM ENTERPRISE CO.,LTD TEL: 029-87851838      FAX:029-87851840 Email: sales@shinhom.com.cn				SCALE: 1/1	TERMINAL MAT:CP WIRE	PIN TENSION LOAD: 1.0 KGS MIN
					DATE: 2012.07.31	DRAWING NO:


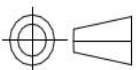


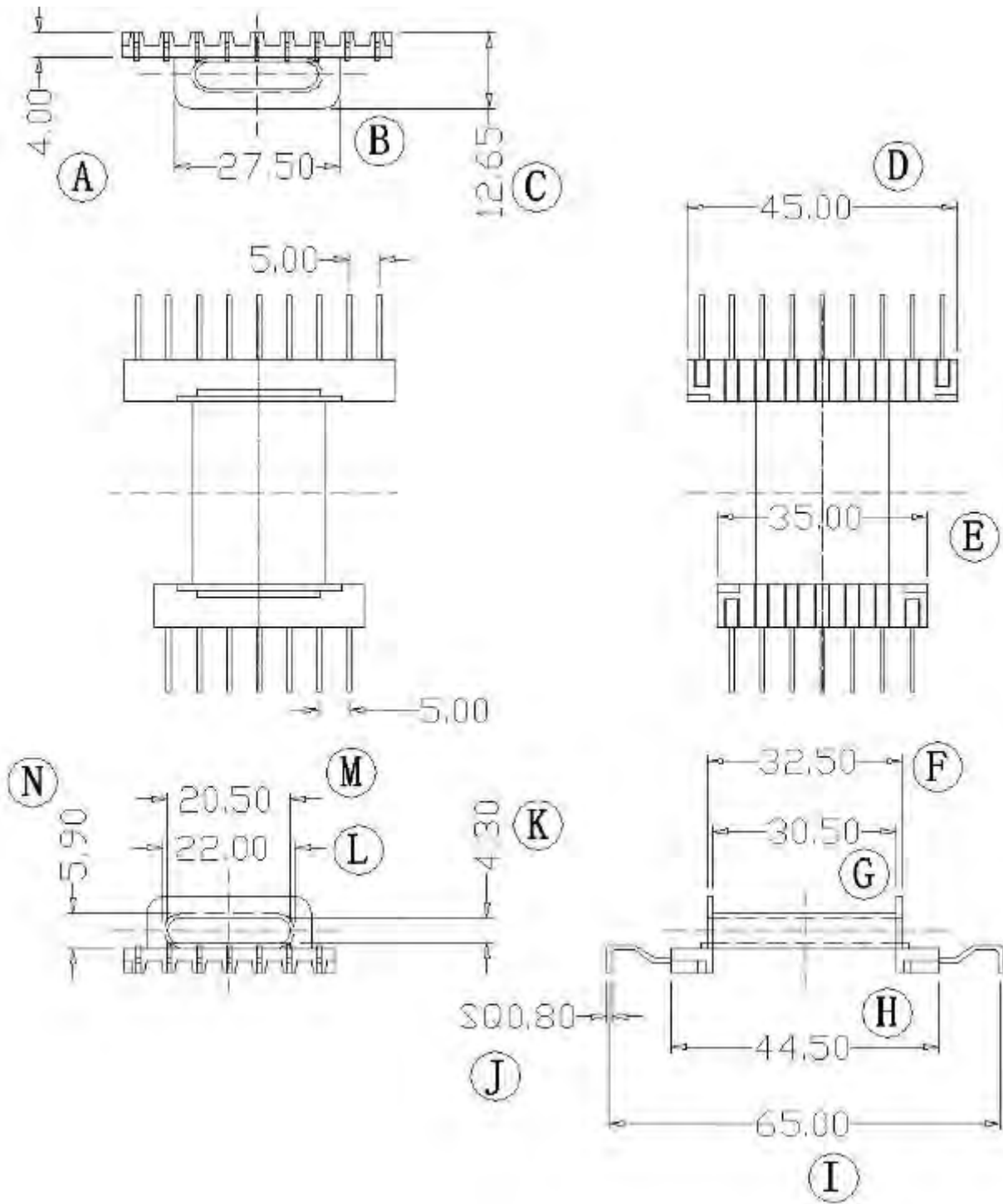
DRAFTED BY	TianXipeng	TOLERANCE		ANGLR: ±1°	MODEL NAME: EFD-30H(6+6) PIN		
CHECKED BY	Jack Wang	0<L≤4 ±0.1 4<L≤16 ±0.2 16<L≤63 ±0.3	Pin pitch ±0.20	UNIT:MM	MATERIAL: PHENOLIC	UL REC: UL 94V-0	
 SHANHOM ENTERPRISE CO.,LTD TEL: 029-87851838 FAX:029-87851840 Email: sales@shinhom.com.cn				SCALE: 1/1	TERMINAL MAT:CP WIRE	PIN TENSION LOAD: 1.0 KGS MIN	
					DATE: 2014.03.28	DRAWING NO:	REV. A


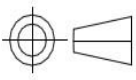


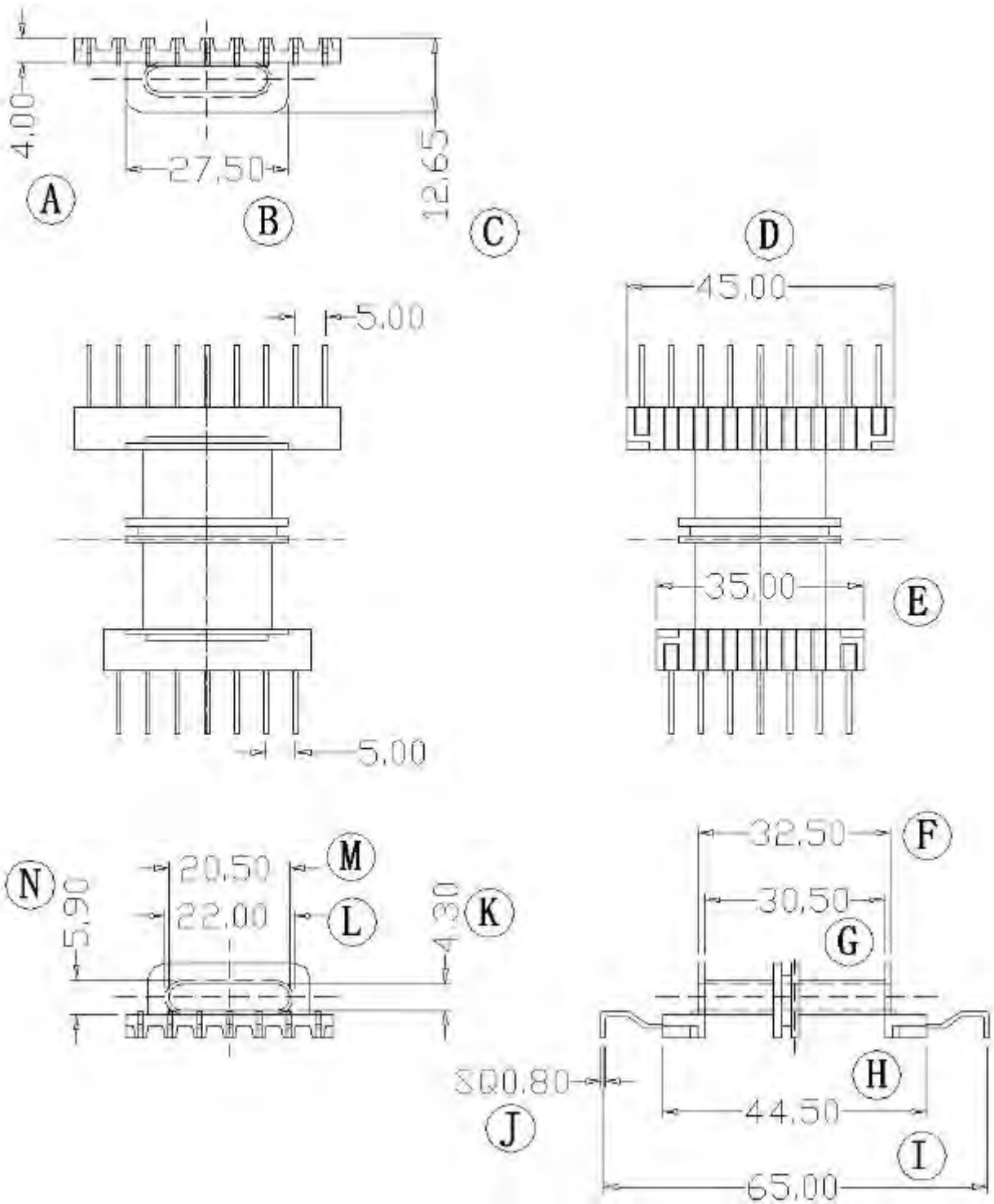
DRAFTED BY	TianXipeng	TOLERANCE		ANGLR: ±1°	MODEL NAME: EFD-30H(7+7) PIN		
CHECKED BY	Jack Wang	0<L≤4 ±0.1 4<L≤16 ±0.2 16<L≤63 ±0.3	Pin pitch ±0.20	UNIT:MM	MATERIAL: PHENOLIC	UL REC: UL 94V-0	
 SHANHOM ENTERPRISE CO.,LTD TEL: 029-87851838 FAX:029-87851840 Email: sales@shinhom.com.cn				SCALE: 1/1	TERMINAL MAT:CP WIRE	PIN TENSION LOAD: 1.0 KGS MIN	
					DATE: 2014.03.28	DRAWING NO:	REV. A


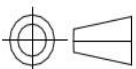


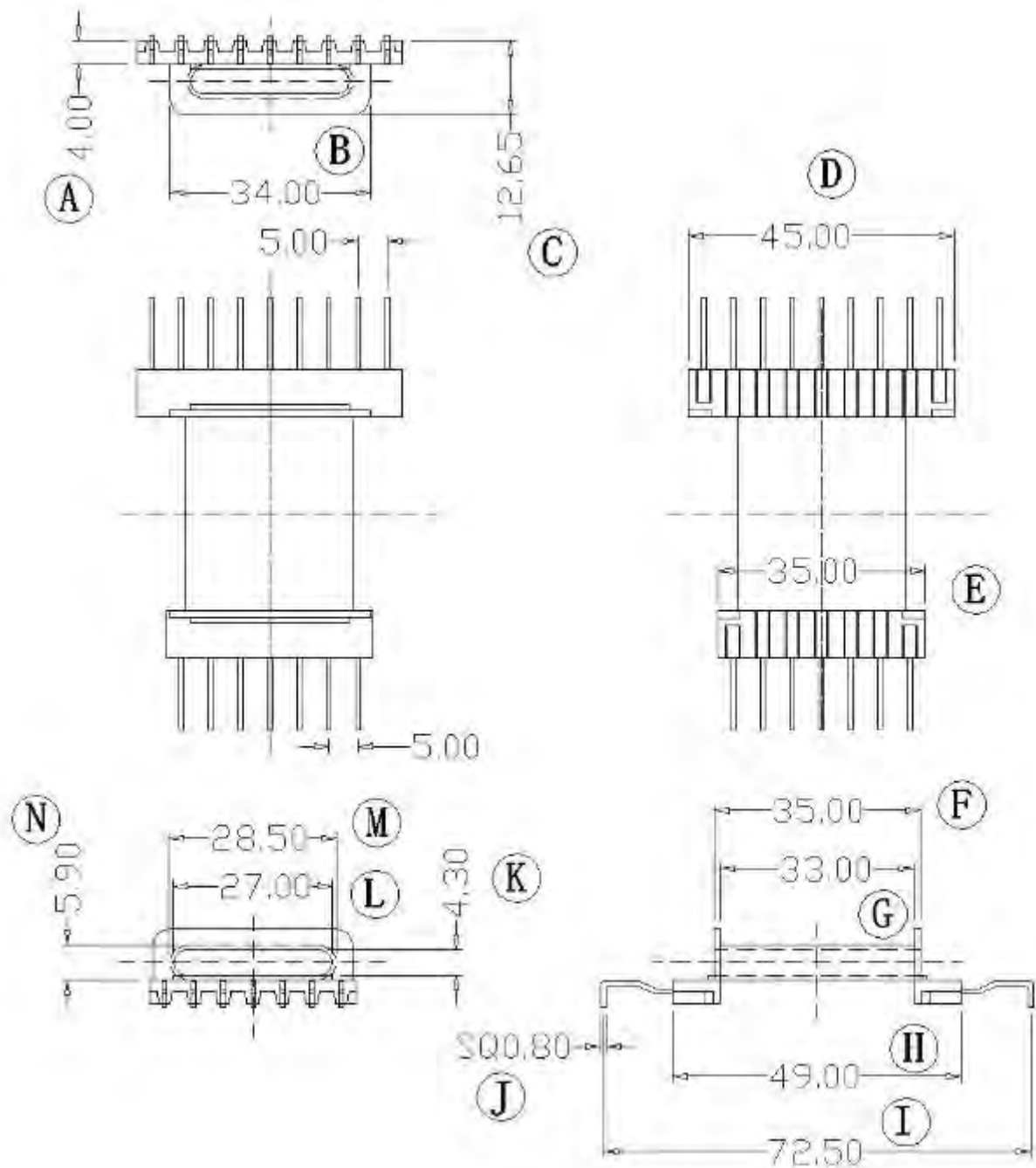
DRAFTED BY	TianXipeng	TOLERANCE		ANGLR: ±1°	MODEL NAME: EFD-30H(6+6) PIN		
CHECKED BY	Jack Wang	0<L≤4 ±0.1 4<L≤16 ±0.2 16<L≤63 ±0.3	Pin pitch ±0.20	UNIT:MM	MATERIAL: PHENOLIC	UL REC: UL 94V-0	
 SHANHOM ENTERPRISE CO.,LTD TEL: 029-87851838 FAX:029-87851840 Email: sales@shinhom.com.cn				SCALE: 1/1	TERMINAL MAT:CP WIRE	PIN TENSION LOAD: 1.0 KGS MIN	
					DATE: 2015.05.15	DRAWING NO:	REV. A


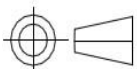


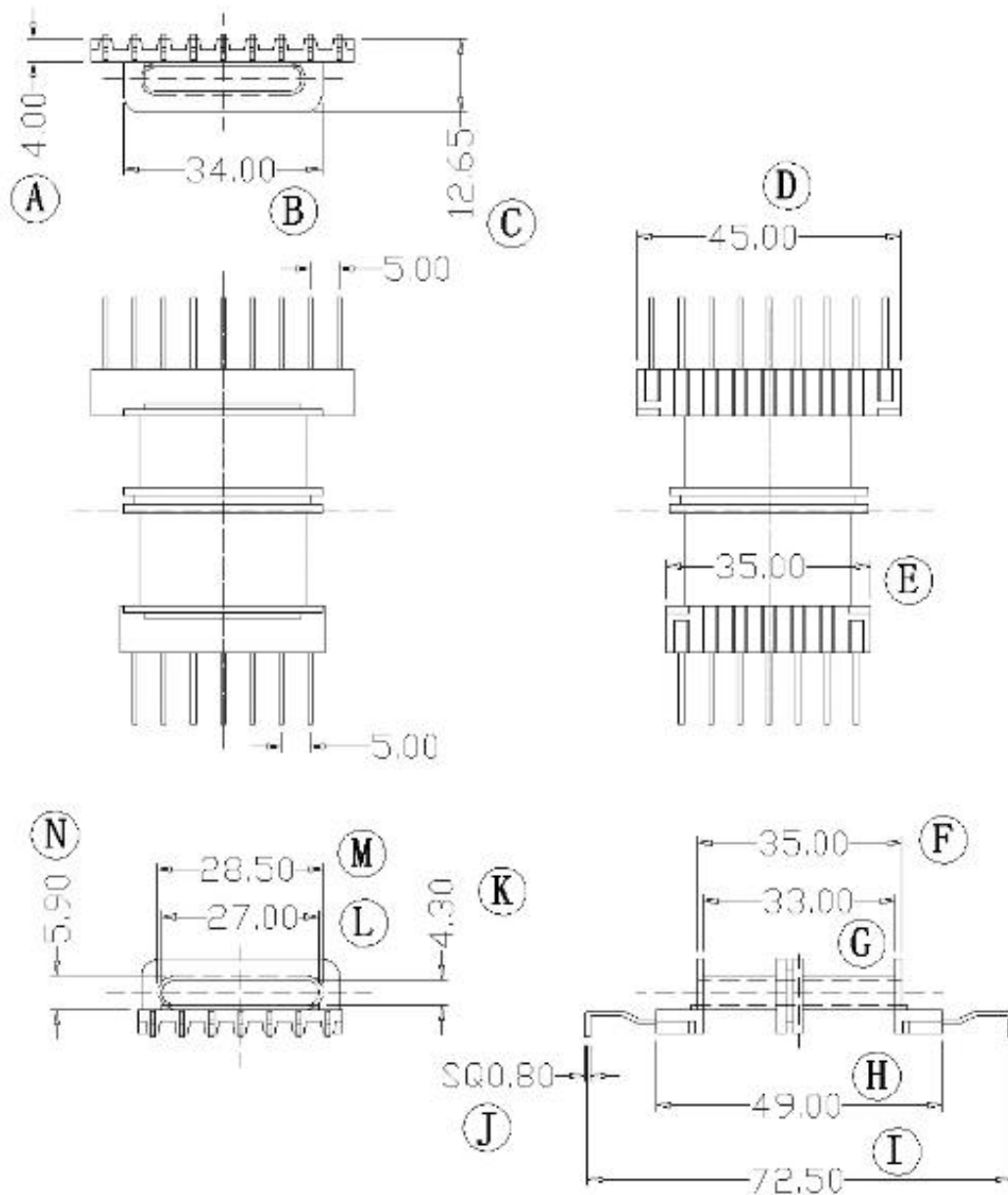
DRAFTED BY	TianXipeng	TOLERANCE		ANGLR: ±1°	MODEL NAME: EFD-40H(9+7) PIN	
CHECKED BY	Jack Wang	0<L≤4 ±0.1 4<L≤16 ±0.2 16<L≤63 ±0.3	Pin pitch ±0.20	UNIT:MM	MATERIAL: PHENOLIC	UL REC: UL 94V-0
 SHANHOM ENTERPRISE CO.,LTD TEL: 029-87851838 FAX:029-87851840 Email: sales@shinhom.com.cn				SCALE: 1/1	TERMINAL MAT:CP WIRE	PIN TENSION LOAD: 1.0 KGS MIN
					DATE: 2015.05.15	DRAWING NO:


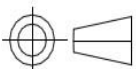


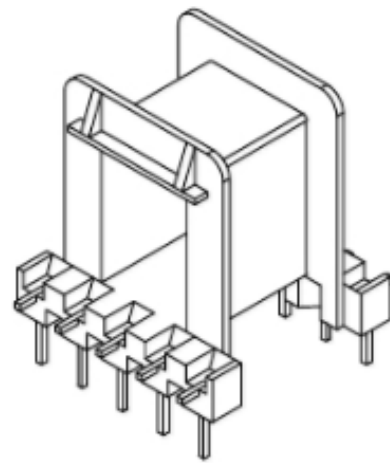
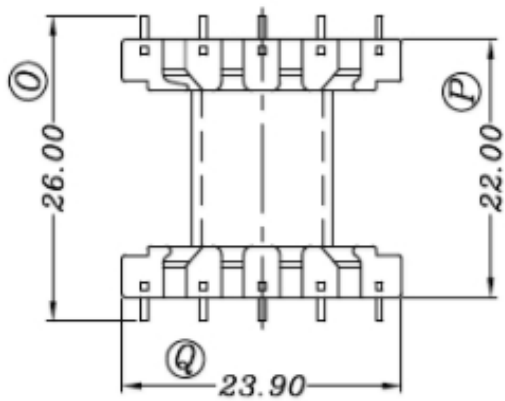
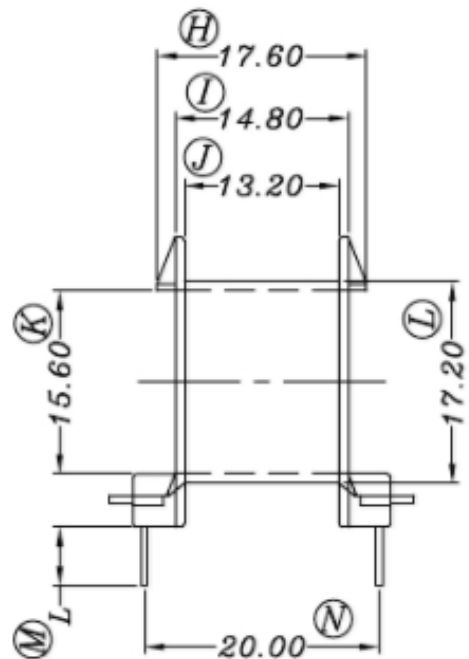
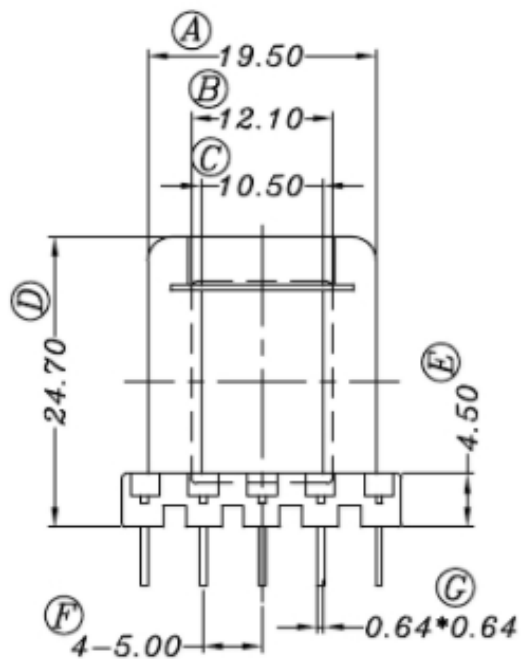
DRAFTED BY	TianXipeng	TOLERANCE		ANGLR: ±1°	MODEL NAME: EFD-40H(2SEC9+7) PIN		
CHECKED BY	Jack Wang	0<L≤4 ±0.1 4<L≤16 ±0.2 16<L≤63 ±0.3	Pin pitch ±0.20	UNIT:MM	MATERIAL: PHENOLIC	UL REC: UL 94V-0	
 SHANHOM ENTERPRISE CO.,LTD TEL: 029-87851838 FAX:029-87851840 Email: sales@shinhom.com.cn				SCALE: 1/1	TERMINAL MAT:CP WIRE	PIN TENSION LOAD: 1.0 KGS MIN	
					DATE: 2015.05.15	DRAWING NO:	REV. A


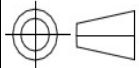


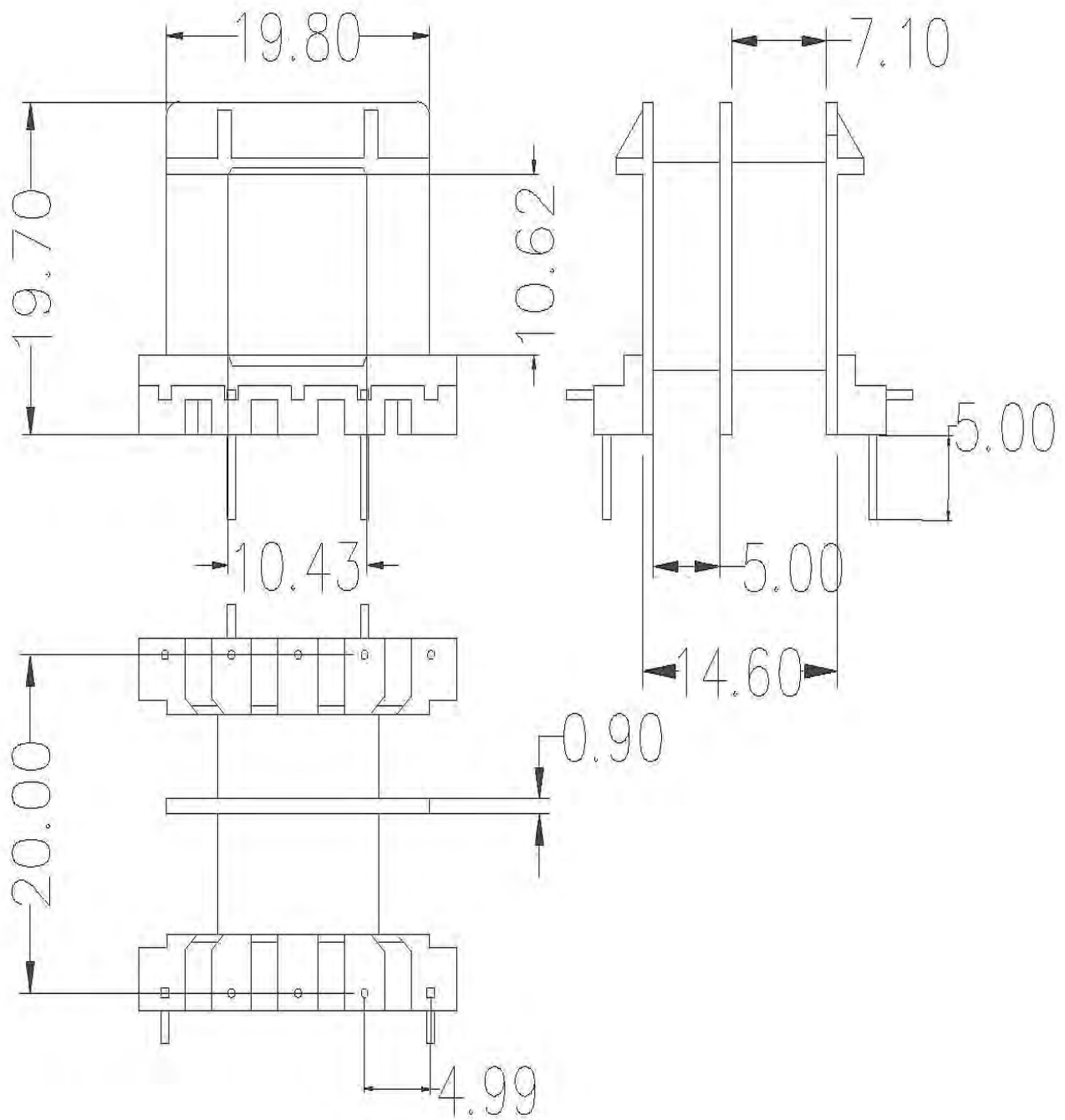
DRAFTED BY	TianXipeng	TOLERANCE		ANGLR: ±1°	MODEL NAME: EFD-50H(9+7) PIN		
CHECKED BY	Jack Wang	0<L≤4 ±0.1 4<L≤16 ±0.2 16<L≤63 ±0.3	Pin pitch ±0.20	UNIT:MM	MATERIAL: PHENOLIC	UL REC: UL 94V-0	
 SHANHOM SHAANXI SHINHOM ENTERPRISE CO.,LTD TEL: 029-87851838      FAX:029-87851840 Email: sales@shinhom.com.cn				SCALE: 1/1	TERMINAL MAT:CP WIRE	PIN TENSION LOAD: 1.0 KGS MIN	
					DATE: 2015.05.15	DRAWING NO:	REV. A


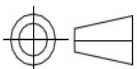


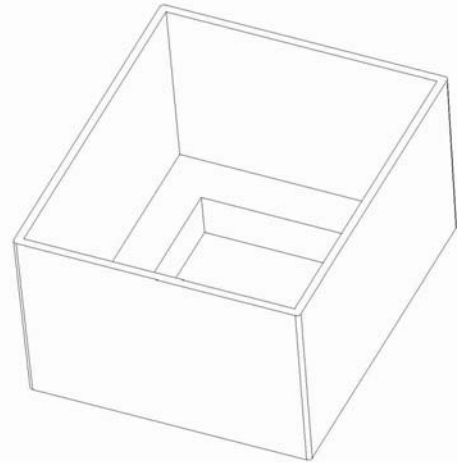
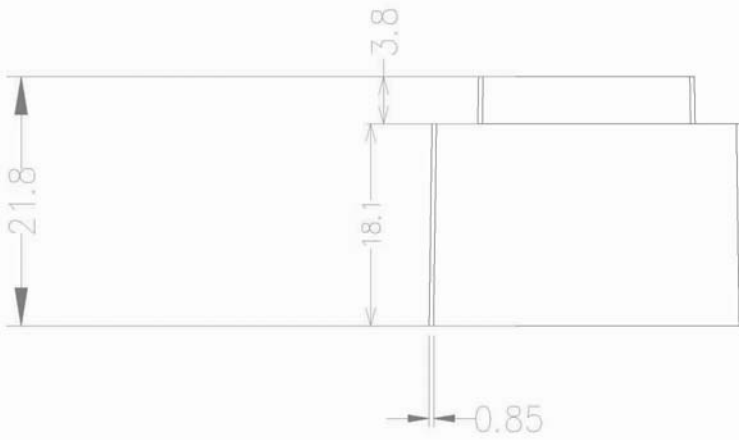
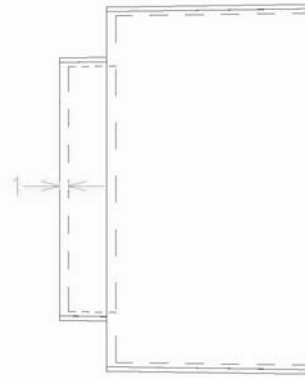
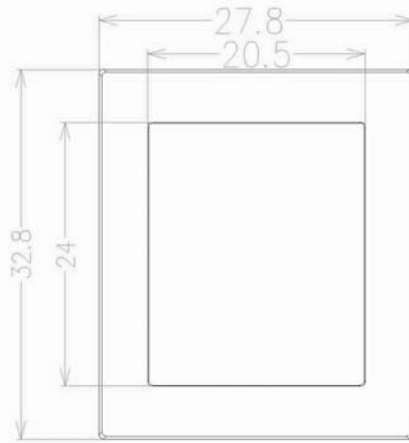
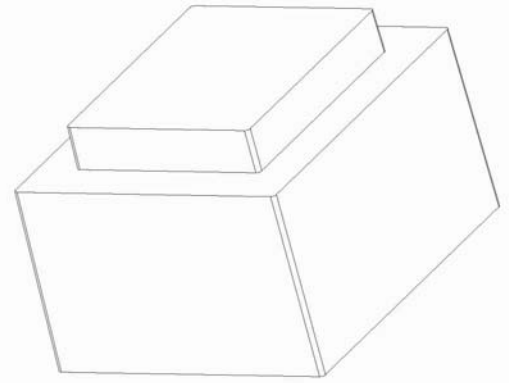
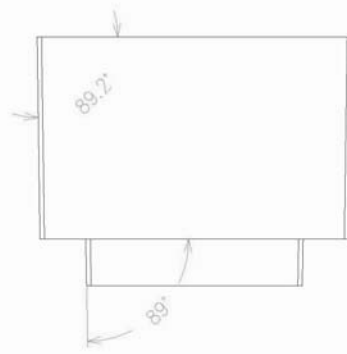
DRAFTED BY	TianXipeng	TOLERANCE		ANGLR: ±1°	MODEL NAME: EFD-50H(2SEC9+7) PIN		
CHECKED BY	Jack Wang	0<L≤4 ±0.1 4<L≤16 ±0.2 16<L≤63 ±0.3	Pin pitch ±0.20	UNIT:MM	MATERIAL: PHENOLIC	UL REC: UL 94V-0	
 SHINHOM	SHAANXI SHINHOM ENTERPRISE CO.,LTD TEL: 029-87851838      FAX:029-87851840 Email: sales@shinhom.com.cn			SCALE: 1/1	TERMINAL MAT:CP WIRE	PIN TENSION LOAD: 1.0 KGS MIN	
						DATE: 2015.05.15	DRAWING NO:


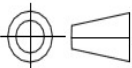


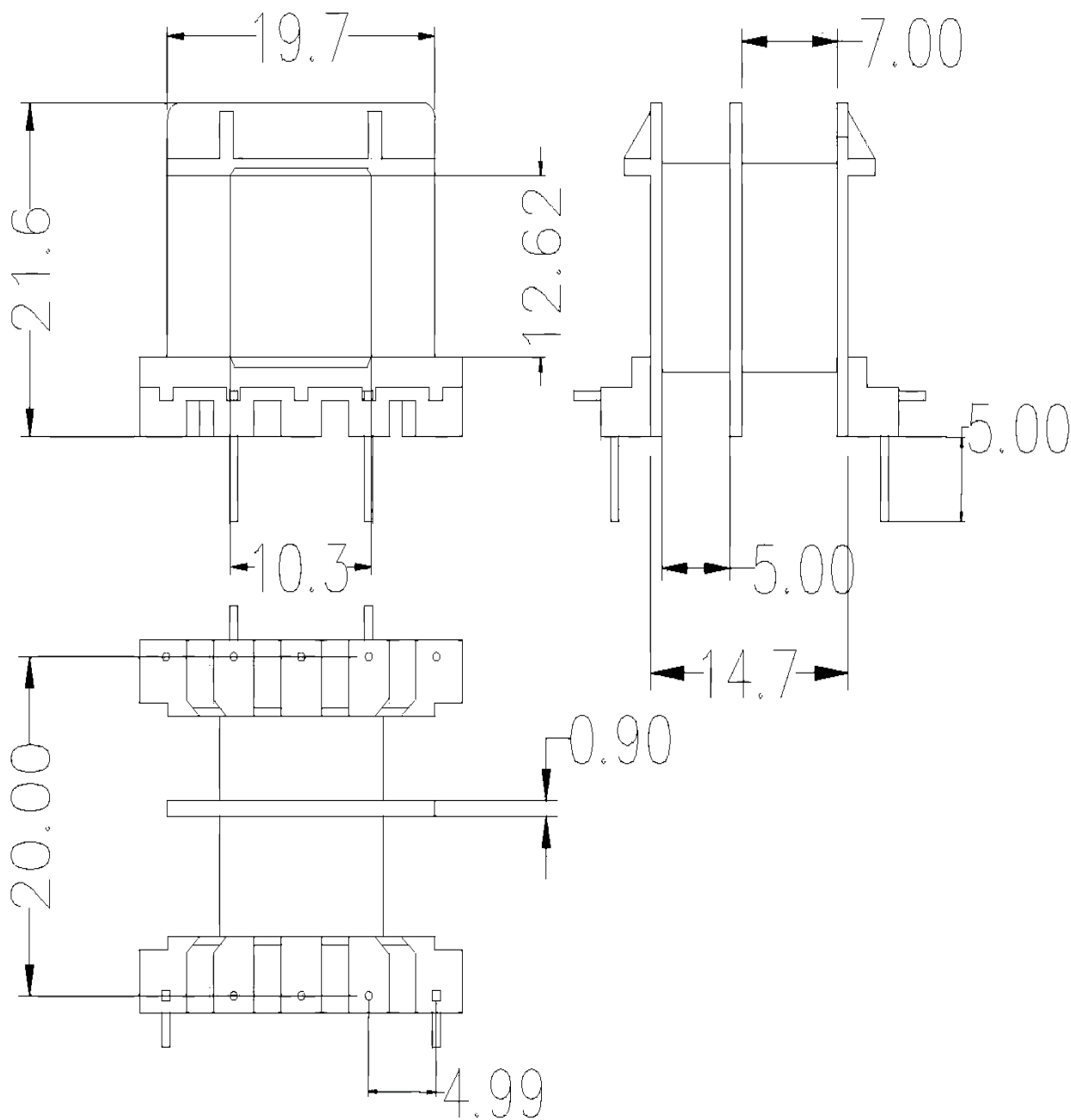
DRAFTED BY	TianXipeng	TOLERANCE		ANGLR: ±1°	MODEL NAME: EE-30H (5+5) PIN	
CHECKED BY	Jack Wang	0<L≤4 ±0.1 4<L≤16 ±0.2 16<L≤63 ±0.3	Pin pitch ±0.20	UNIT:MM	MATERIAL: PET/PA66	UL REC: UL 94V-0
 SHANHOM SHAANXI SHINHOM ENTERPRISE CO.,LTD TEL: 029-87851838      FAX:029-87851840 Email: sales@shinhom.com.cn				SCALE: 1/1	TERMINAL MAT:CP WIRE	PIN TENSION LOAD: 1.0 KGS MIN
					DATE: 2009.05.15	DRAWING NO:


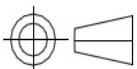


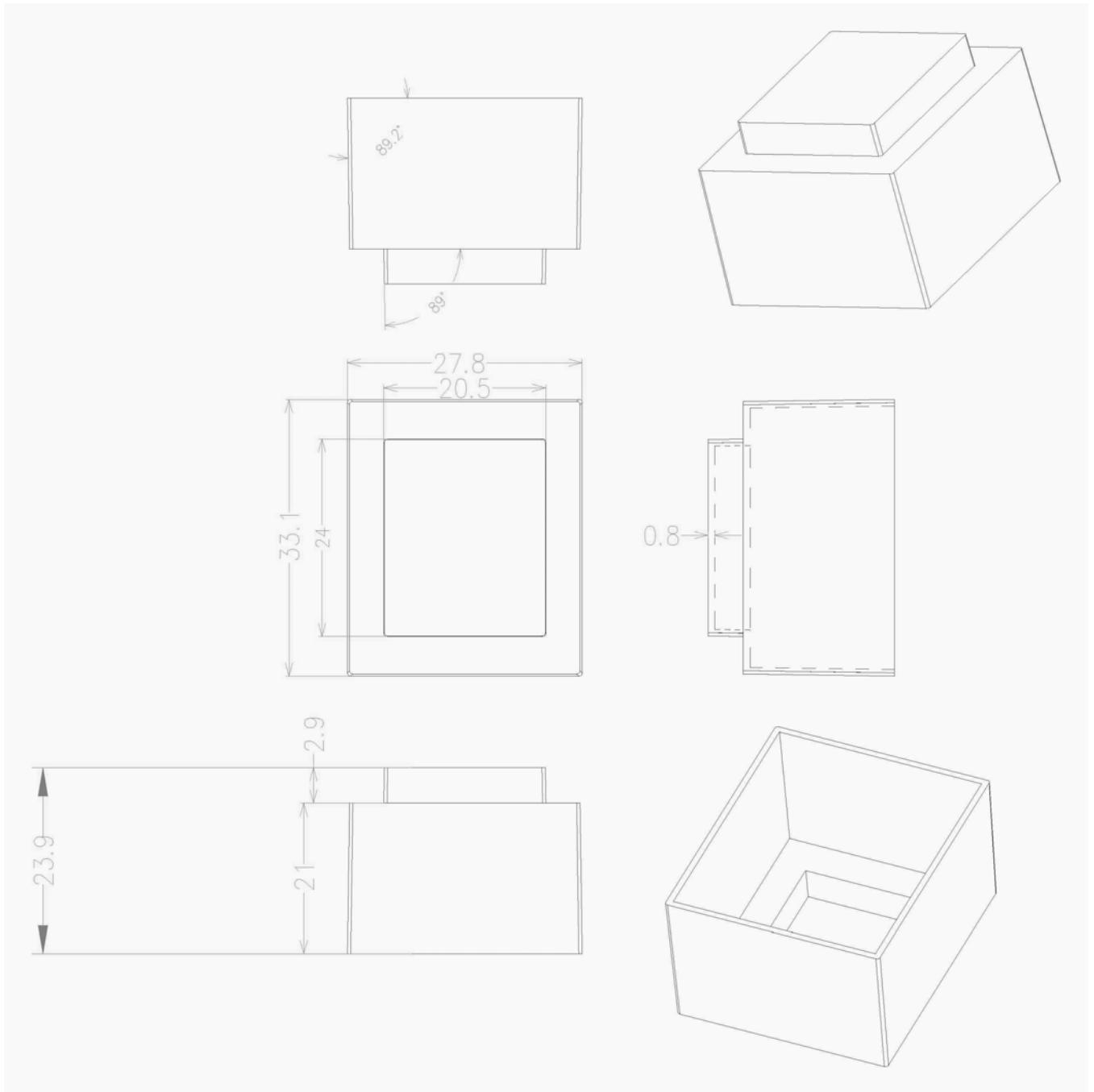
DRAFTED BY	TianXipeng	TOLERANCE		ANGLR: ±1°	MODEL NAME: EI-30/10.5	
CHECKED BY	Jack Wang	0<L≤4 ±0.1 4<L≤16 ±0.2 16<L≤63 ±0.3	Pin pitch ±0.20	UNIT:MM	MATERIAL: PBT	UL REC: UL 94V-0
 SHANHOM SHAANXI SHINHOM ENTERPRISE CO.,LTD TEL: 029-87851838      FAX:029-87851840 Email: sales@shinhom.com.cn				SCALE: 1/1	TERMINAL MAT:CP WIRE	PIN TENSION LOAD: 1.0 KGS MIN
					DATE: 2019.03.28	DRAWING NO:


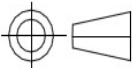


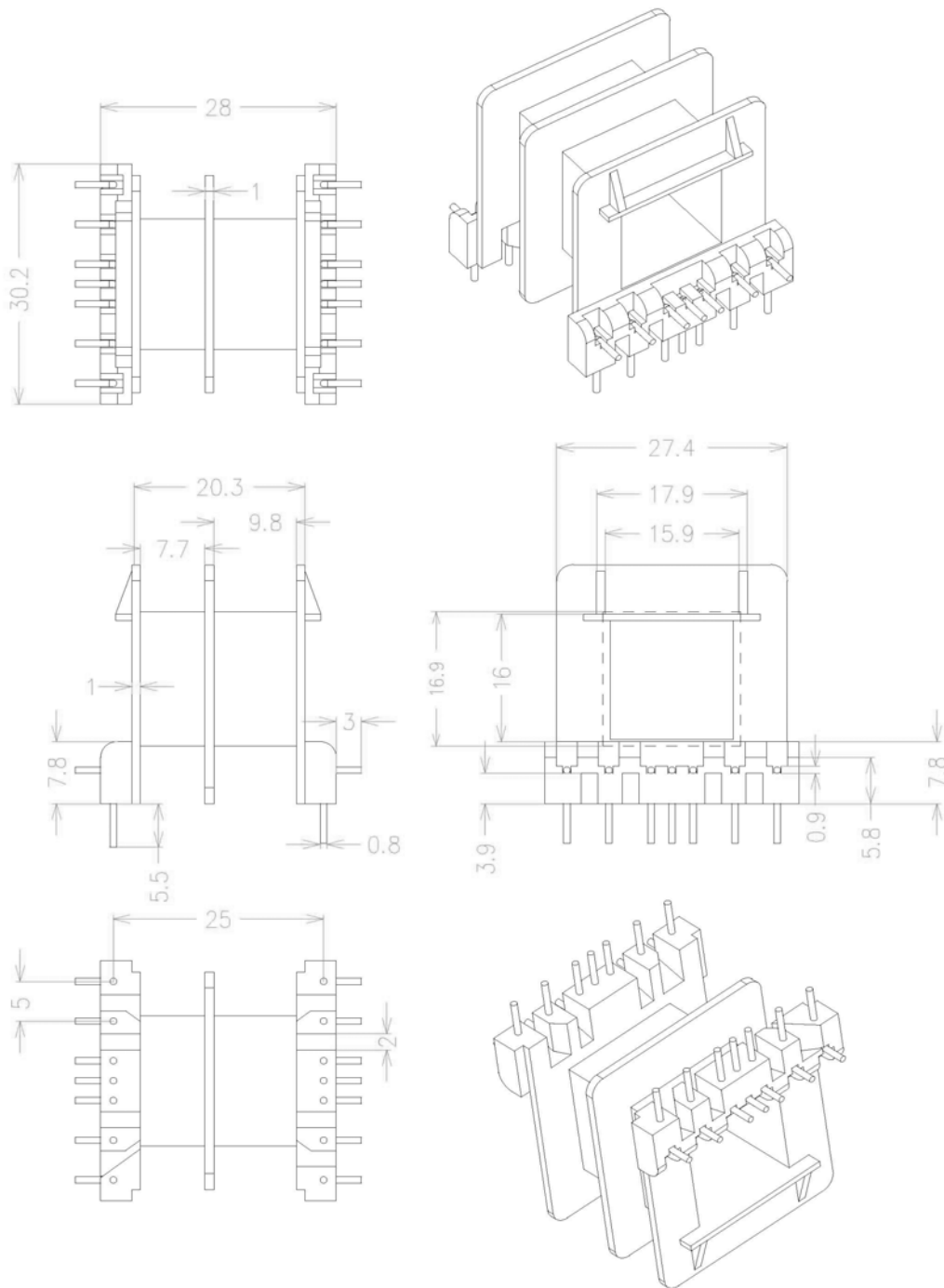
DRAFTED BY	TianXipeng	TOLERANCE		ANGLR: ±1°	MODEL NAME: EI-30/10.5 cover	
CHECKED BY	Jack Wang	0<L≤4 ±0.1 4<L≤16 ±0.2 16<L≤63 ±0.3	Pin pitch ±0.20	UNIT:MM	MATERIAL: nylon	UL REC: UL 94V-0
 SHANHOM ENTERPRISE CO.,LTD TEL: 029-87851838 FAX:029-87851840 Email: sales@shinhom.com.cn				SCALE: 1/1	TERMINAL MAT:CP WIRE	PIN TENSION LOAD: 1.0 KGS MIN
					DATE: 2019.03.28	DRAWING NO:


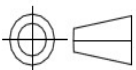


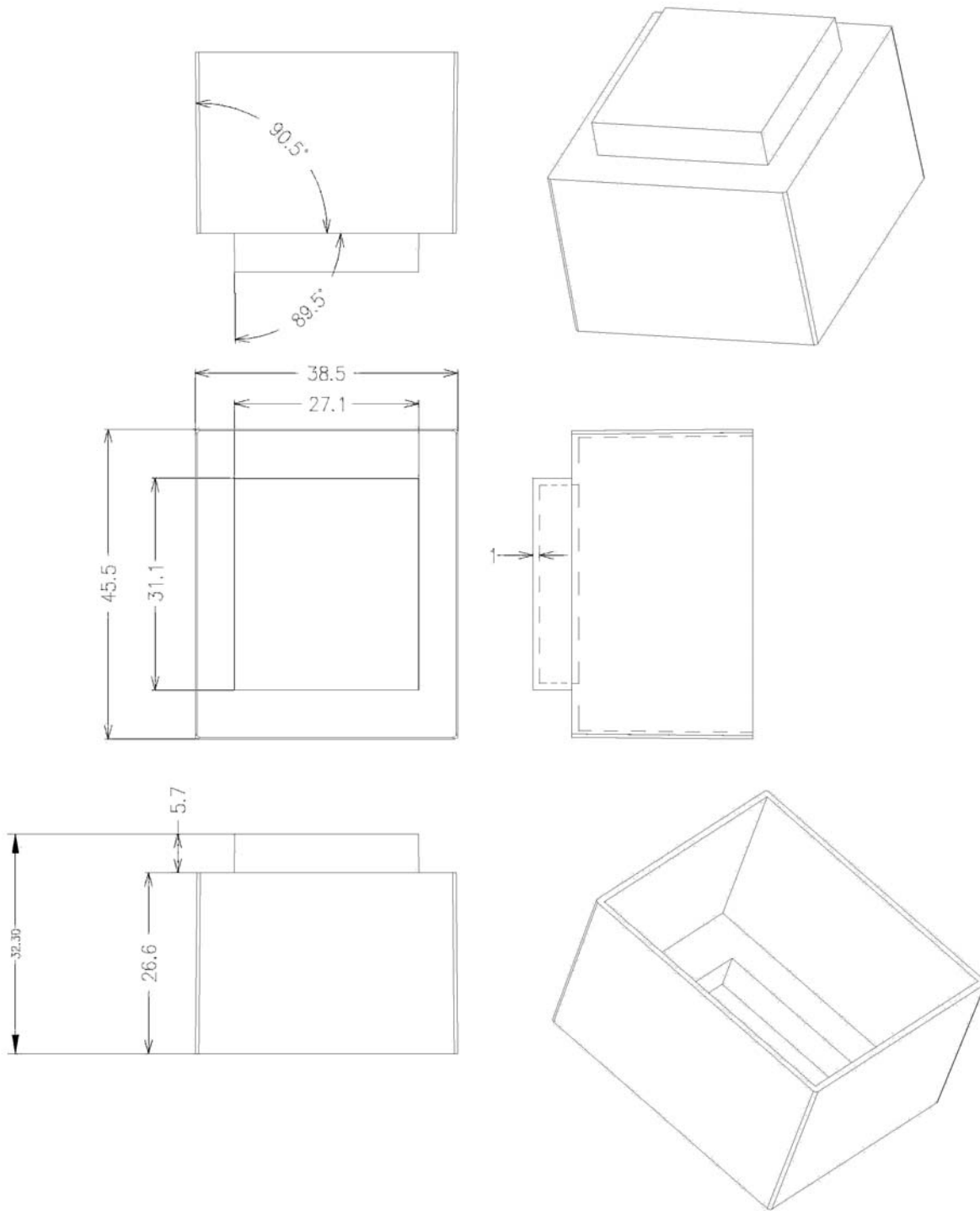
DRAFTED BY	TianXipeng	TOLERANCE		ANGLR: ±1°	MODEL NAME: EI-30/12.5	
CHECKED BY	Jack Wang	0<L≤4 ±0.1 4<L≤16 ±0.2 16<L≤63 ±0.3	Pin pitch ±0.20	UNIT:MM	MATERIAL: PBT	UL REC: UL 94V-0
 SHANHOM SHAANXI SHINHOM ENTERPRISE CO.,LTD TEL: 029-87851838      FAX:029-87851840 Email: sales@shinhom.com.cn				SCALE: 1/1	TERMINAL MAT:CP WIRE	PIN TENSION LOAD: 1.0 KGS MIN
					DATE: 2019.03.28	DRAWING NO:


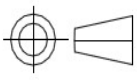


DRAFTED BY	TianXipeng	TOLERANCE		ANGLR: ±1°	MODEL NAME: EI-30/10.5 cover		
CHECKED BY	Jack Wang	0<L≤4 ±0.1 4<L≤16 ±0.2 16<L≤63 ±0.3	Pin pitch ±0.20	UNIT:MM	MATERIAL: nylon	UL REC: UL 94V-0	
 SHANHOM SHAANXI SHINHOM ENTERPRISE CO.,LTD TEL: 029-87851838      FAX:029-87851840 Email: sales@shinhom.com.cn				SCALE: 1/1	TERMINAL MAT:CP WIRE	PIN TENSION LOAD: 1.0 KGS MIN	
					DATE: 2019.03.28	DRAWING NO:	REV. A



DRAFTED BY	TianXipeng	TOLERANCE		ANGLR: ±1°	MODEL NAME: E1-42/14.8	
CHECKED BY	Jack Wang	0<L≤4 ±0.1 4<L≤16 ±0.2 16<L≤63 ±0.3	Pin pitch ±0.20	UNIT:MM	MATERIAL: PBT	UL REC: UL 94V-0
 SHANHOM SHAANXI SHINHOM ENTERPRISE CO.,LTD TEL: 029-87851838      FAX:029-87851840 Email: sales@shinhom.com.cn				SCALE: 1/1	TERMINAL MAT:CP WIRE	PIN TENSION LOAD: 1.0 KGS MIN
					DATE: 2019.03.28	DRAWING NO:



DRAFTED BY	TianXipeng	TOLERANCE		ANGLR: ±1°	MODEL NAME: E1-42/14.8 cover	
CHECKED BY	Jack Wang	0<L≤4 ±0.1 4<L≤16 ±0.2 16<L≤63 ±0.3	Pin pitch ±0.20	UNIT:MM	MATERIAL: nylon	UL REC: UL 94V-0
 SHANHOM SHAANXI SHINHOM ENTERPRISE CO.,LTD TEL: 029-87851838      FAX:029-87851840 Email: sales@shinhom.com.cn				SCALE: 1/1	TERMINAL MAT:CP WIRE	PIN TENSION LOAD: 1.0 KGS MIN
					DATE: 2019.03.28	DRAWING NO: