
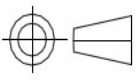
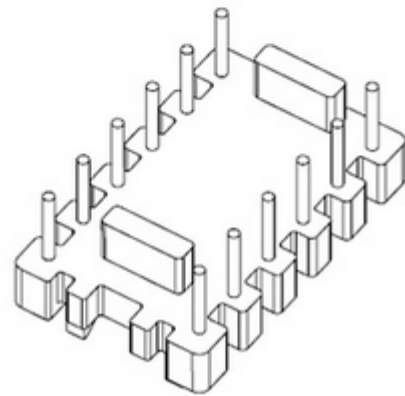
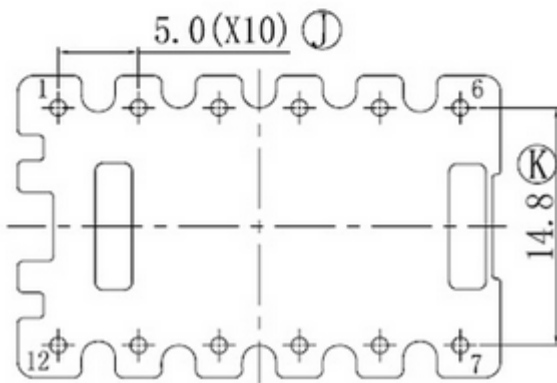
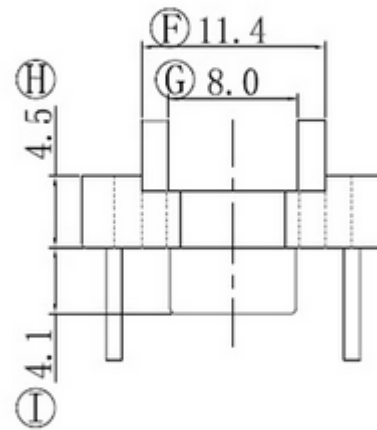
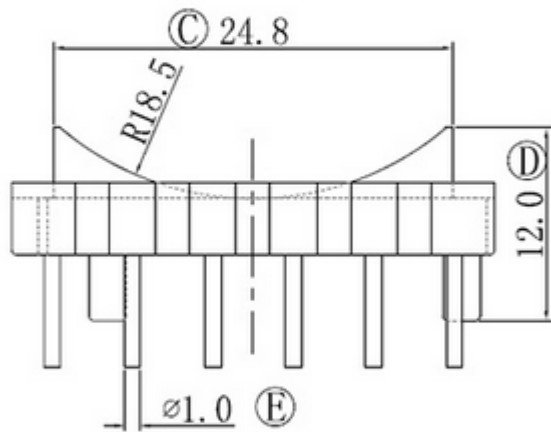
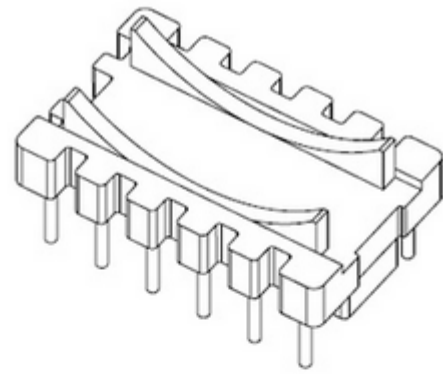
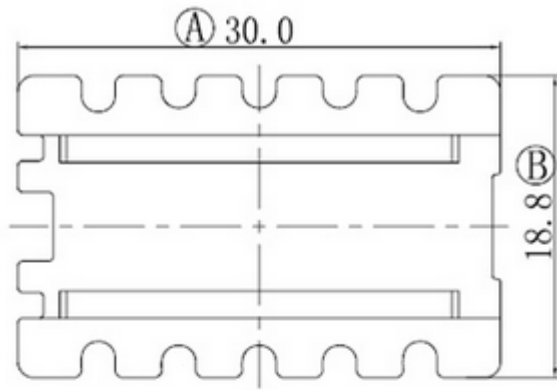

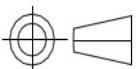
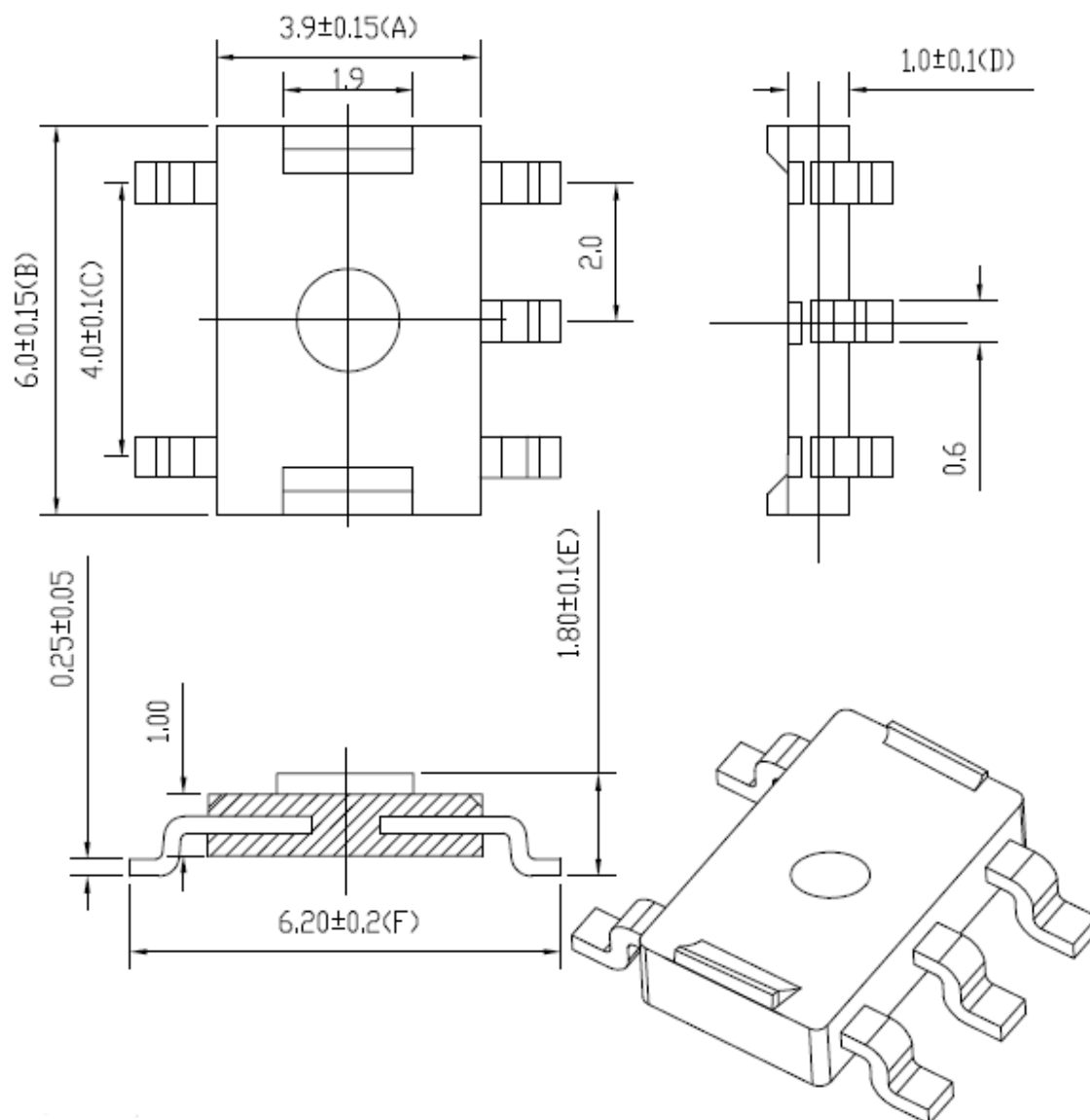

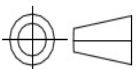


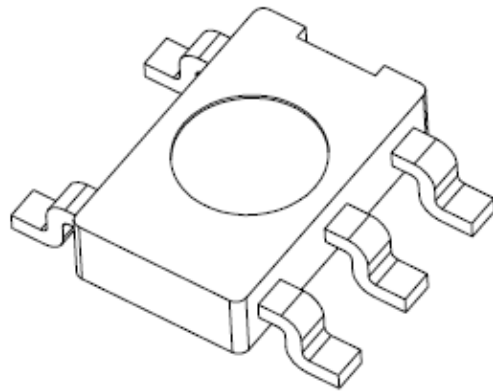
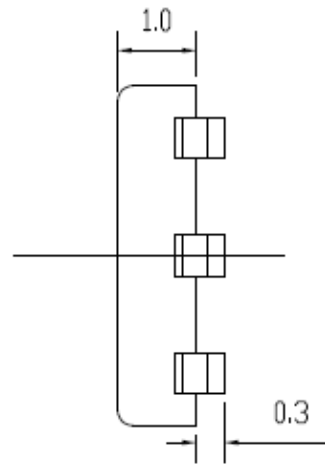
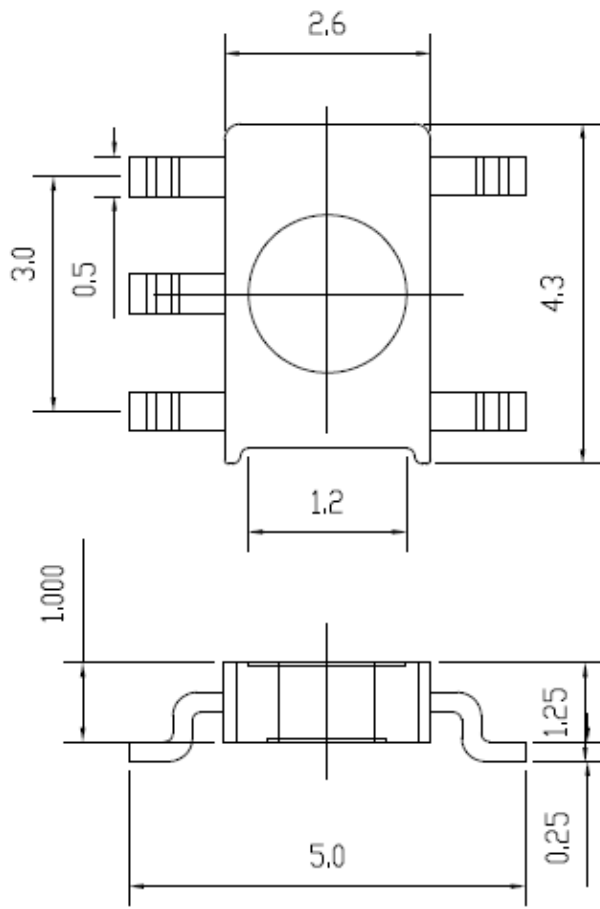
DRAFTED BY	TianXipeng	TOLERANCE		ANGLR: ±1°	MODEL NAME: BASE(2+2pins)	
CHECKED BY	Jack Wang	0<L≤4 ±0.1 4<L≤16 ±0.2 16<L≤63 ±0.3	Pin pitch ±0.20	UNIT:MM	MATERIAL: PBT	UL REC: UL 94V-0
 SHANHOM SHAANXI SHINHOM ENTERPRISE CO.,LTD TEL: 029-87851838 FAX:029-87851840 Email: sales@shinhom.com.cn				SCALE: 1/1	TERMINAL MAT:CP WIRE	PIN TENSION LOAD: 1.0 KGS MIN
					DATE: 2015.05.15	DRAWING NO:


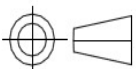


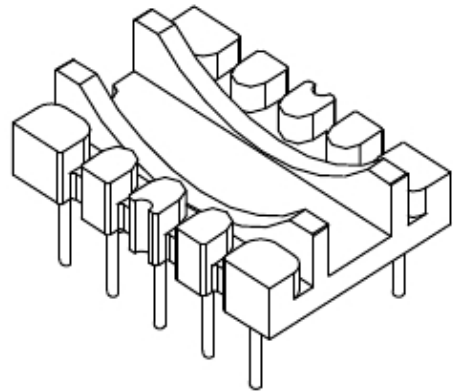
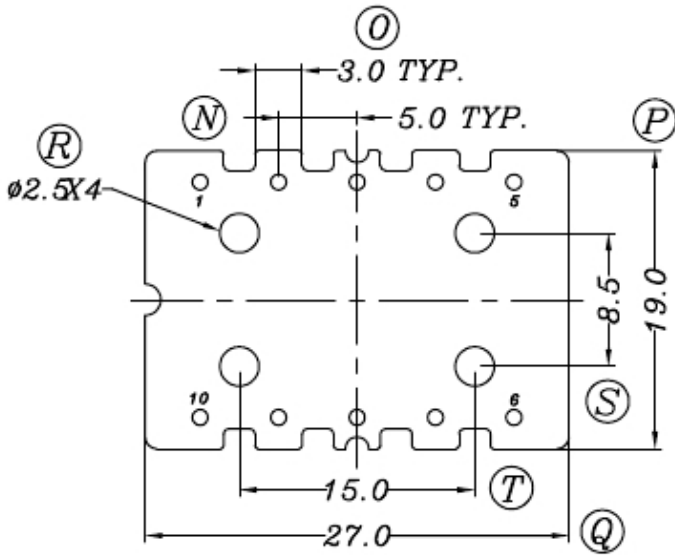
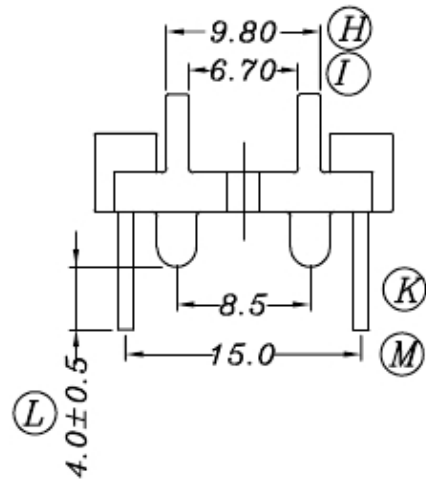
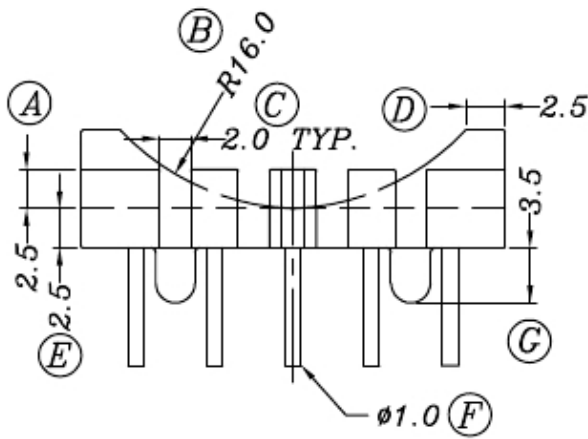
DRAFTED BY	TianXipeng	TOLERANCE		ANGLR: ±1°	MODEL NAME: BASE-12pin		
CHECKED BY	Jack Wang	0<L≤4 ±0.1 4<L≤16 ±0.2 16<L≤63 ±0.3	Pin pitch ±0.20	UNIT:MM	MATERIAL: PHENOLIC	UL REC: UL 94V-0	
 SHANHOM SHAANXI SHINHOM ENTERPRISE CO.,LTD TEL: 029-87851838 FAX:029-87851840 Email: sales@shinhom.com.cn				SCALE: 1/1	TERMINAL MAT:CP WIRE	PIN TENSION LOAD: 1.0 KGS MIN	
					DATE: 2015.05.15	DRAWING NO:	REV. A


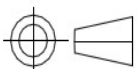


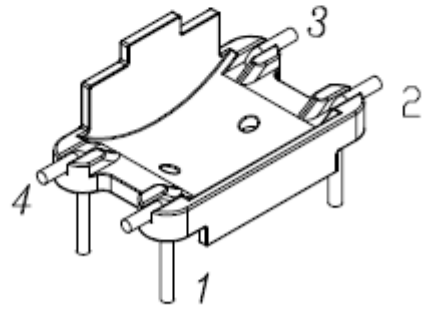
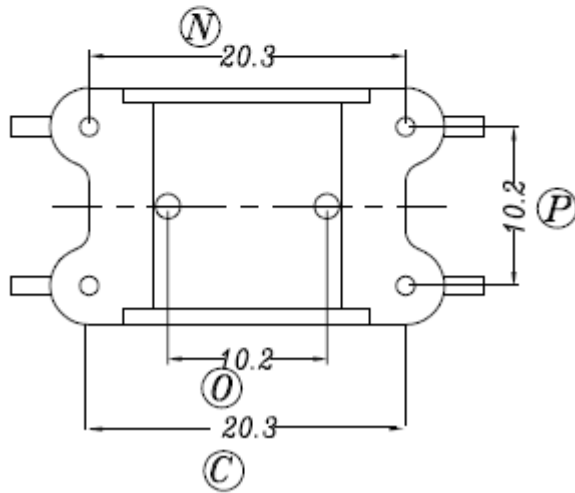
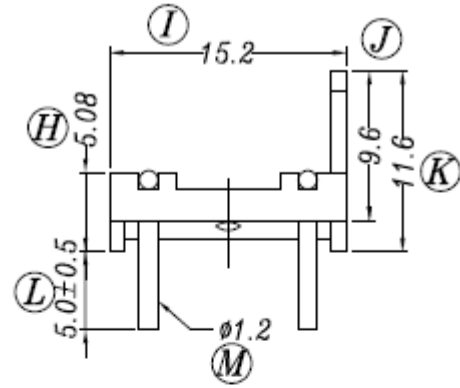
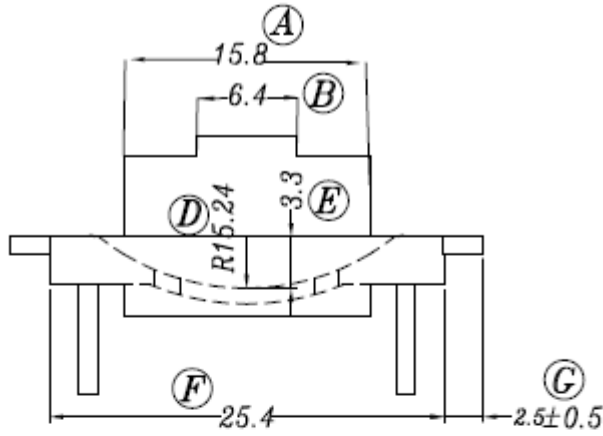
DRAFTED BY	TianXipeng	TOLERANCE		ANGLR: $\pm 1^\circ$	MODEL NAME: BASE018 SMD	
CHECKED BY	Jack Wang	$0 < L \leq 4 \pm 0.1$ $4 < L \leq 16 \pm 0.2$ $16 < L \leq 63 \pm 0.3$	Pin pitch ± 0.20	UNIT:MM	MATERIAL: DAP9100	UL REC: UL 94V-0
 SHANHOM SHAANXI SHINHOM ENTERPRISE CO.,LTD TEL: 029-87851838 FAX:029-87851840 Email: sales@shinhom.com.cn				SCALE: 1/1	TERMINAL MAT:CP WIRE	PIN TENSION LOAD: 1.0 KGS MIN
					DATE: 2018.05.15	DRAWING NO:


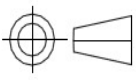


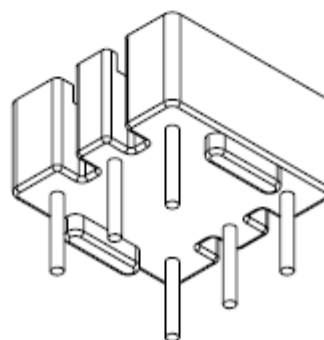
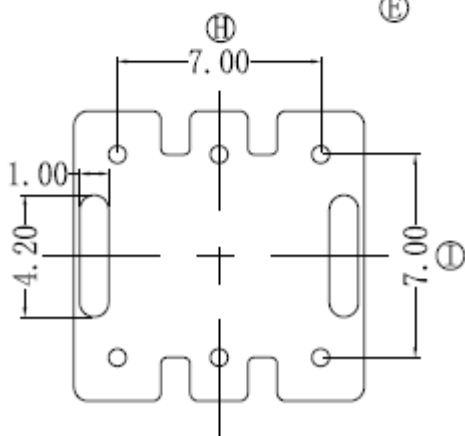
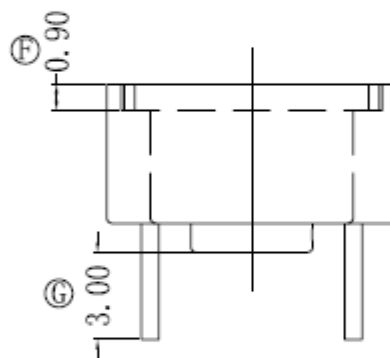
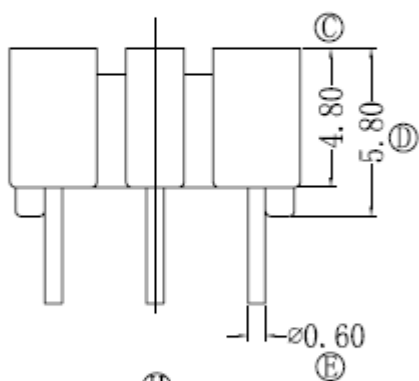
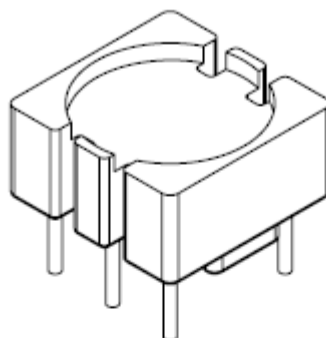
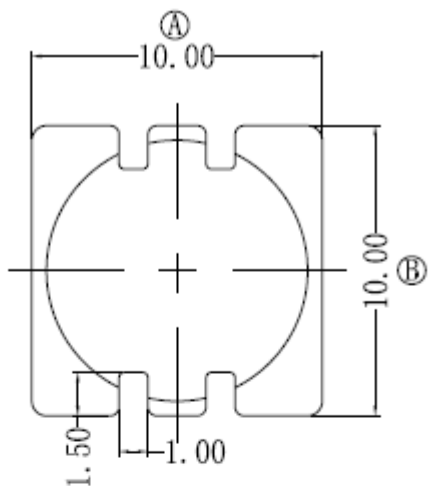
DRAFTED BY	TianXipeng	TOLERANCE		ANGLR: ±1°	MODEL NAME: BASE019 SMD	
CHECKED BY	Jack Wang	0<L≤4 ±0.1 4<L≤16 ±0.2 16<L≤63 ±0.3	Pin pitch ±0.20	UNIT:MM	MATERIAL: DAP9100	UL REC: UL 94V-0
 SHANHOM SHAANXI SHINHOM ENTERPRISE CO.,LTD TEL: 029-87851838 FAX:029-87851840 Email: sales@shinhom.com.cn				SCALE: 1/1	TERMINAL MAT:CP WIRE	PIN TENSION LOAD: 1.0 KGS MIN
					DATE: 2018.05.15	DRAWING NO:


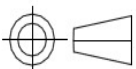


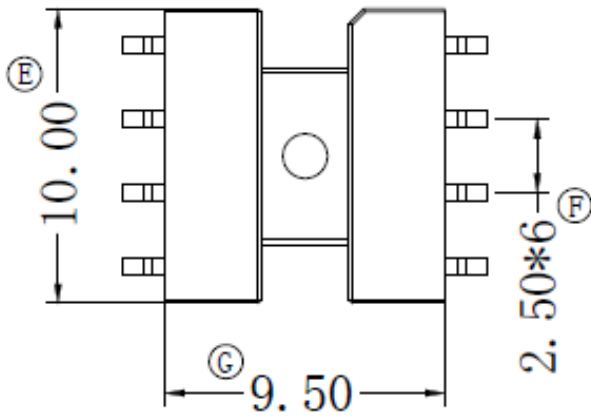
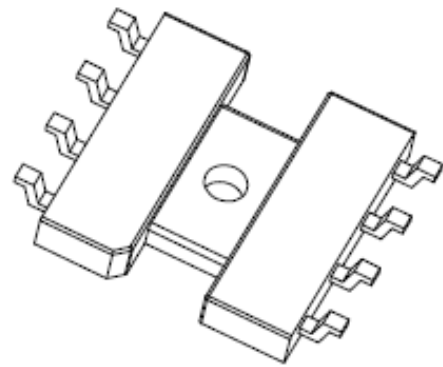
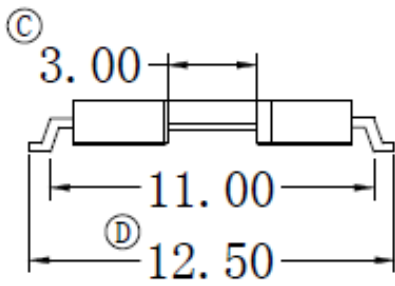
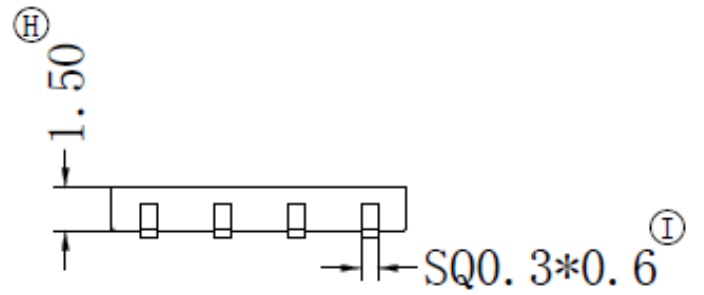
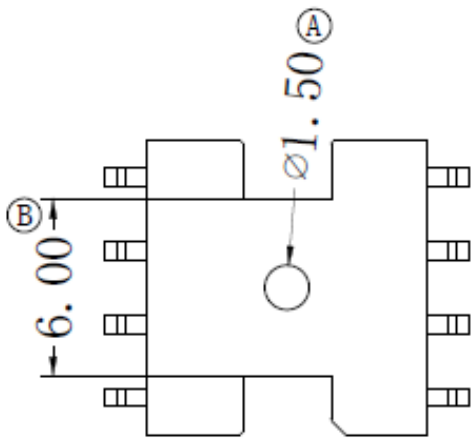
DRAFTED BY	TianXipeng	TOLERANCE		ANGLR: ±1°	MODEL NAME: BASE27*19*11 (5+5) pin		
CHECKED BY	Jack Wang	0 < L ≤ 4 ± 0.1 4 < L ≤ 16 ± 0.2 16 < L ≤ 63 ± 0.3	Pin pitch ± 0.20	UNIT:MM	MATERIAL: PHENOLIC	UL REC: UL 94V-0	
 SHINHOM	SHAANXI SHINHOM ENTERPRISE CO.,LTD TEL: 029-87851838 FAX:029-87851840 Email: sales@shinhom.com.cn			SCALE: 1/1	TERMINAL MAT:CP WIRE	PIN TENSION LOAD: 1.0 KGS MIN	
						DATE: 2015.05.15	DRAWING NO:


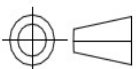


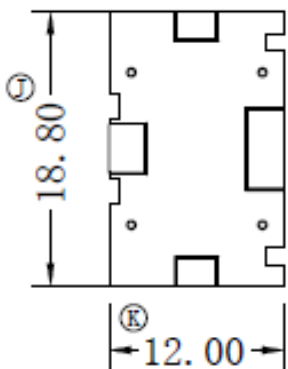
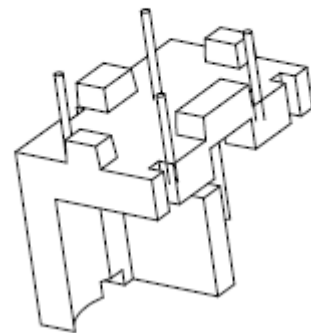
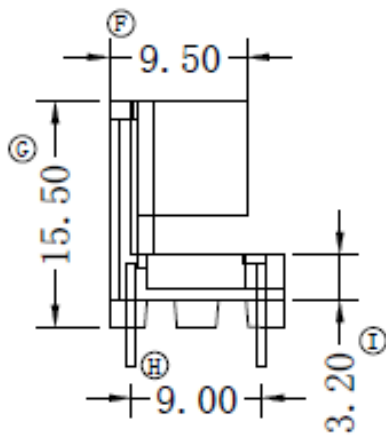
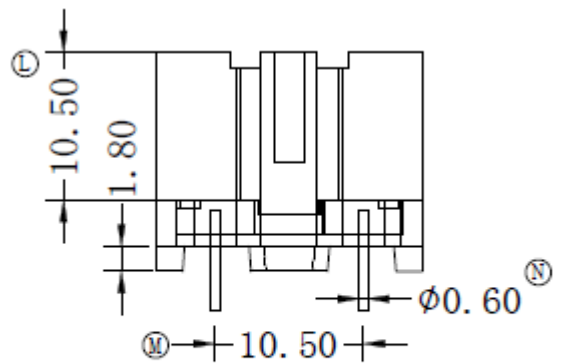
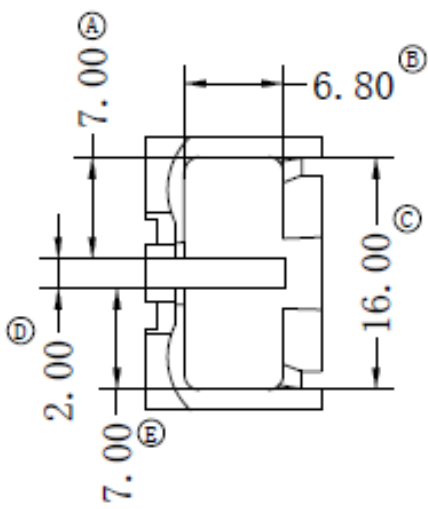
DRAFTED BY	TianXipeng	TOLERANCE		ANGLR: ±1°	MODEL NAME: T25*15*11 BASE 4P	
CHECKED BY	Jack Wang	0<L≤4 ±0.1 4<L≤16 ±0.2 16<L≤63 ±0.3	Pin pitch ±0.20	UNIT:MM	MATERIAL: PET	UL REC: UL 94V-0
 SHANHOM SHAANXI SHINHOM ENTERPRISE CO.,LTD TEL: 029-87851838 FAX:029-87851840 Email: sales@shinhom.com.cn				SCALE: 1/1	TERMINAL MAT:CP WIRE	PIN TENSION LOAD: 1.0 KGS MIN
					DATE: 2015.05.15	DRAWING NO:


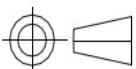


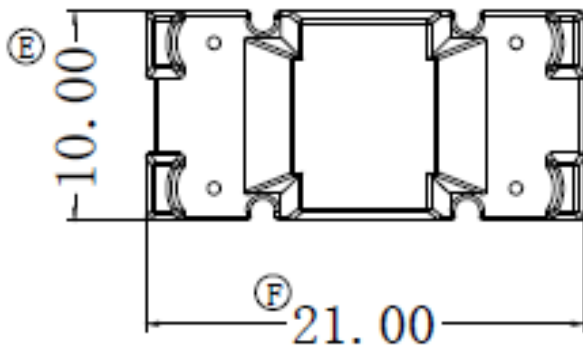
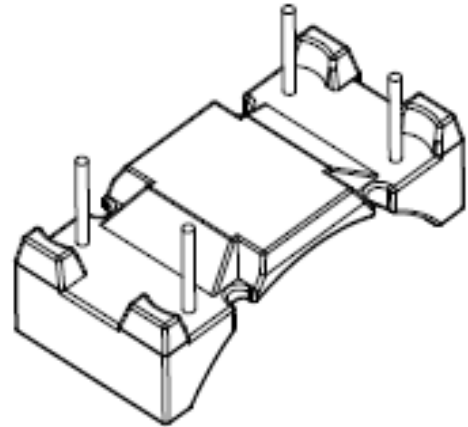
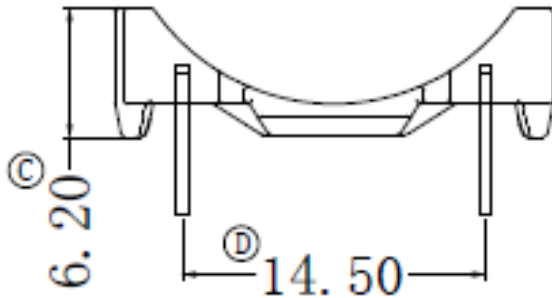
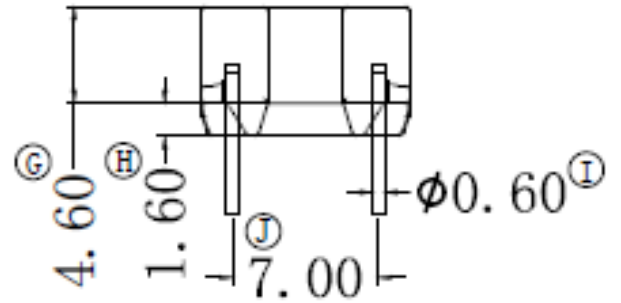
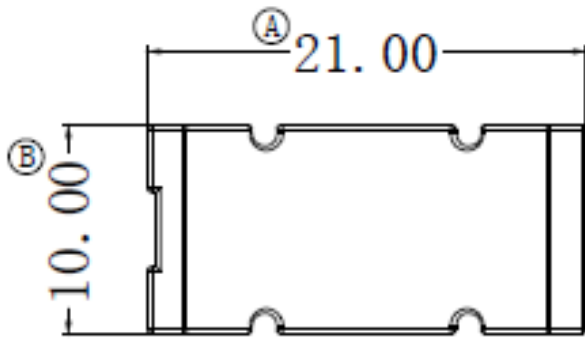
DRAFTED BY	TianXipeng	TOLERANCE		ANGLR: $\pm 1^\circ$	MODEL NAME: BASE47-6pin	
CHECKED BY	Jack Wang	$0 < L \leq 4 \pm 0.1$ $4 < L \leq 16 \pm 0.2$ $16 < L \leq 63 \pm 0.3$	Pin pitch ± 0.20	UNIT:MM	MATERIAL: PHENOLIC	UL REC: UL 94V-0
 SHANHOM SHAANXI SHINHOM ENTERPRISE CO.,LTD TEL: 029-87851838 FAX:029-87851840 Email: sales@shinhom.com.cn				SCALE: 1/1	TERMINAL MAT:CP WIRE	PIN TENSION LOAD: 1.0 KGS MIN
					DATE: 2015.05.15	DRAWING NO:


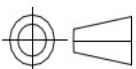


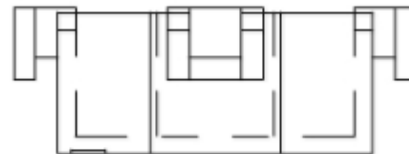
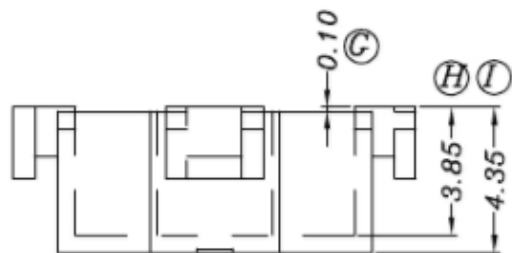
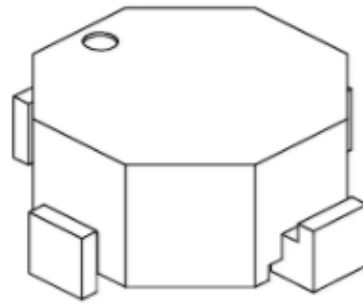
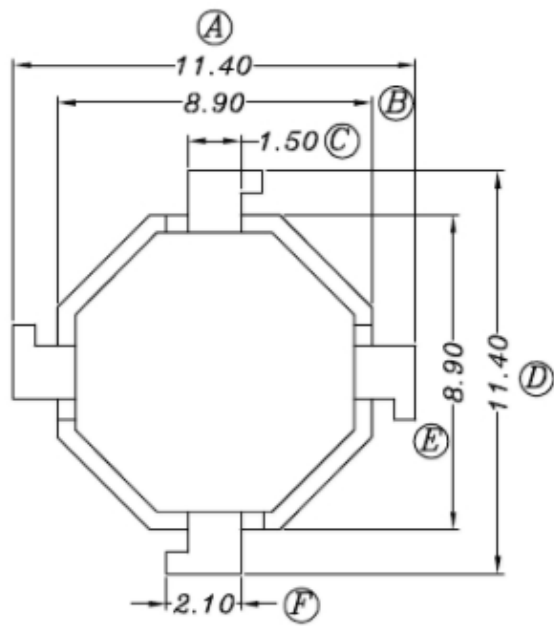
DRAFTED BY	TianXipeng	TOLERANCE		ANGLR: ±1°	MODEL NAME: BASE-04(4+4) PIN	
CHECKED BY	Jack Wang	0<L≤4 ±0.1 4<L≤16 ±0.2 16<L≤63 ±0.3	Pin pitch ±0.20	UNIT:MM	MATERIAL: PHENOLIC	UL REC: UL 94V-0
 SHINHOM	SHAANXI SHINHOM ENTERPRISE CO.,LTD TEL: 029-87851838 FAX:029-87851840 Email: sales@shinhom.com.cn			SCALE: 1/1	TERMINAL MAT:CP WIRE	PIN TENSION LOAD: 1.0 KGS MIN
					DATE: 2018.05	DRAWING NO:


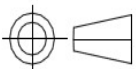


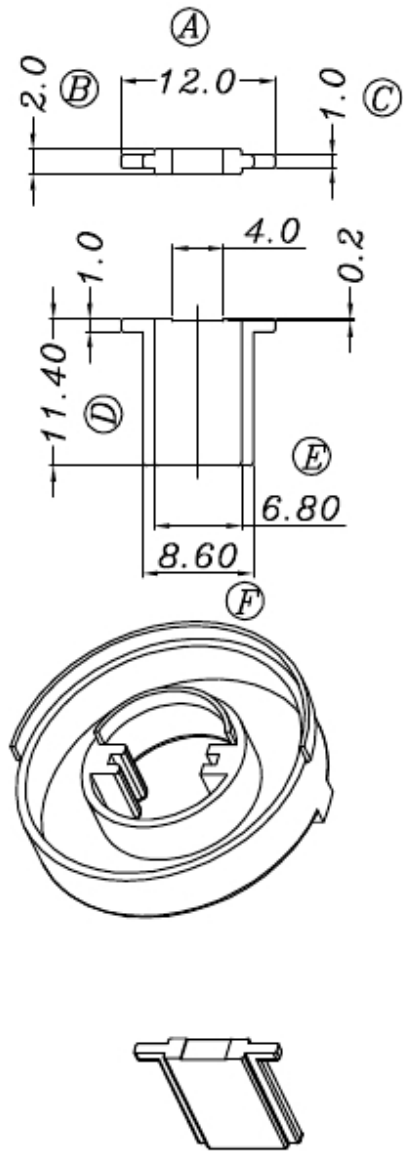
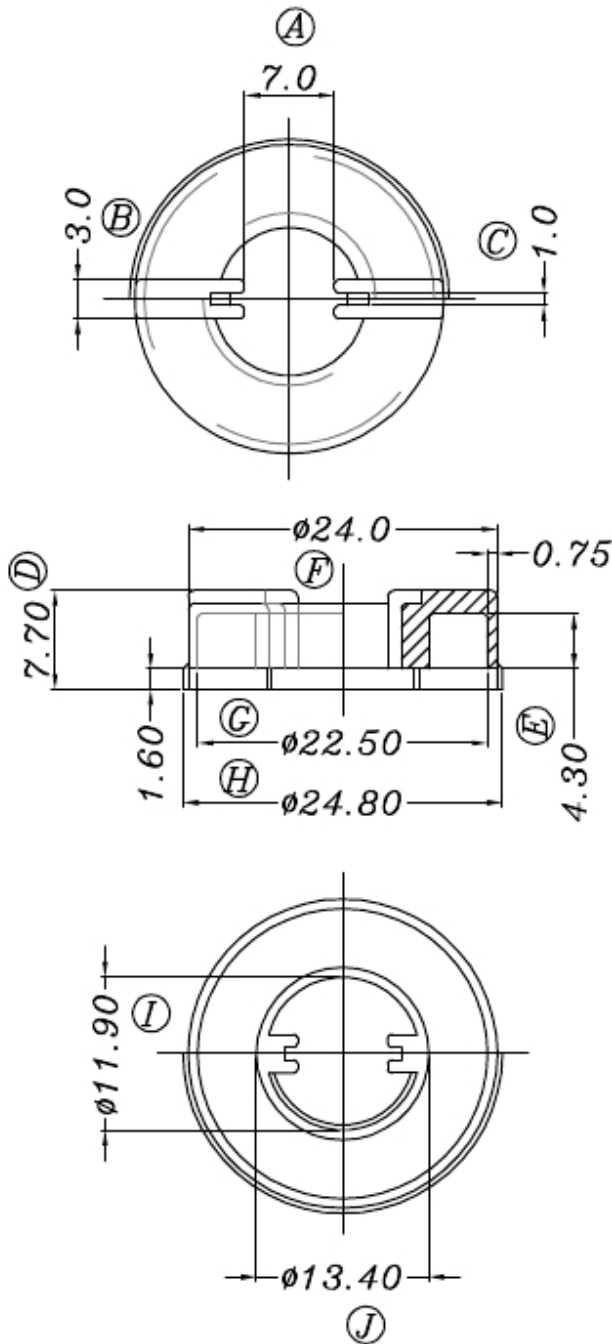
DRAFTED BY	TianXipeng	TOLERANCE		ANGLR: ±1°	MODEL NAME: BASE-056 SQ-15 (2+2) PIN	
CHECKED BY	Jack Wang	0<L≤4 ±0.1 4<L≤16 ±0.2 16<L≤63 ±0.3	Pin pitch ±0.20	UNIT:MM	MATERIAL: PHENOLIC	UL REC: UL 94V-0
 SHANHOM SHAANXI SHINHOM ENTERPRISE CO.,LTD TEL: 029-87851838 FAX:029-87851840 Email: sales@shinhom.com.cn				SCALE: 1/1	TERMINAL MAT:CP WIRE	PIN TENSION LOAD: 1.0 KGS MIN
					DATE: 2018.05	DRAWING NO:


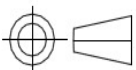


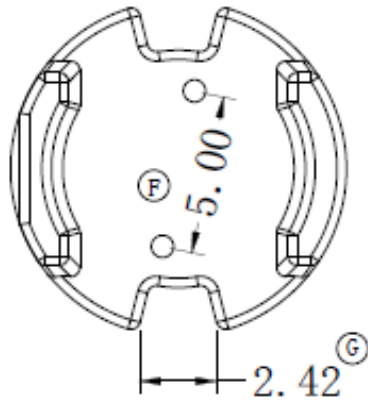
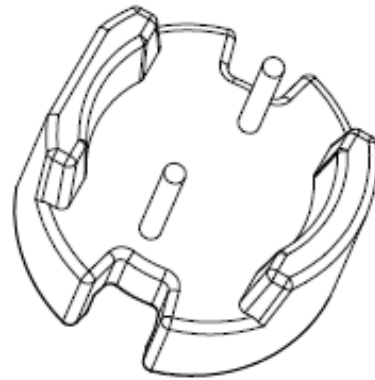
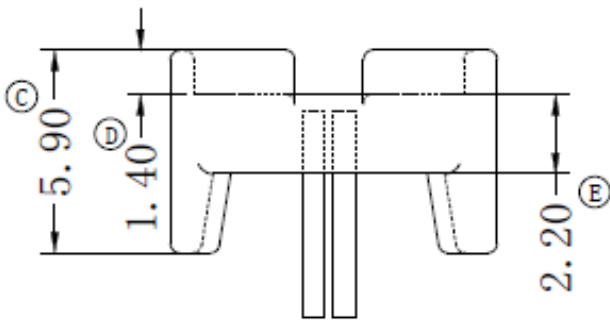
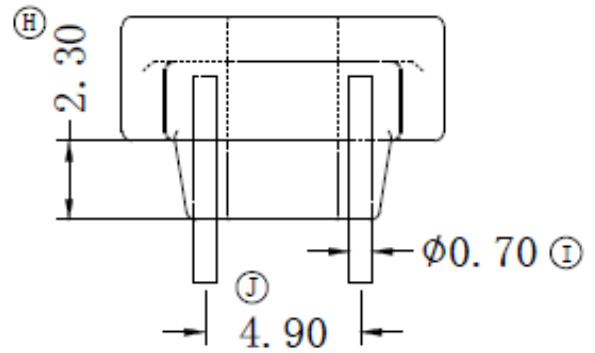
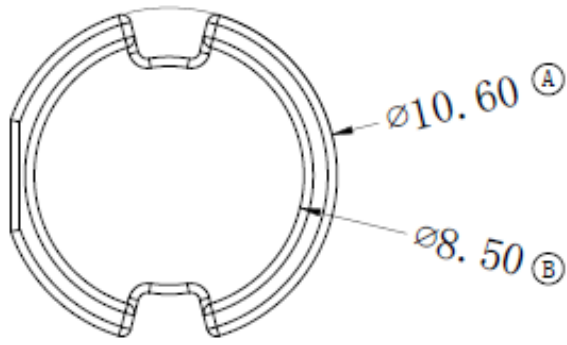
DRAFTED BY	TianXipeng	TOLERANCE		ANGLR: ±1°	MODEL NAME: BASE-05 (2+2) PIN		
CHECKED BY	Jack Wang	0<L≤4 ±0.1 4<L≤16 ±0.2 16<L≤63 ±0.3	Pin pitch ±0.20	UNIT:MM	MATERIAL: PHENOLIC	UL REC: UL 94V-0	
 SHANHOM SHAANXI SHINHOM ENTERPRISE CO.,LTD TEL: 029-87851838 FAX:029-87851840 Email: sales@shinhom.com.cn				SCALE: 1/1	TERMINAL MAT:CP WIRE	PIN TENSION LOAD: 1.0 KGS MIN	
					DATE: 2018.05	DRAWING NO:	REV. A


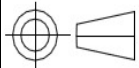


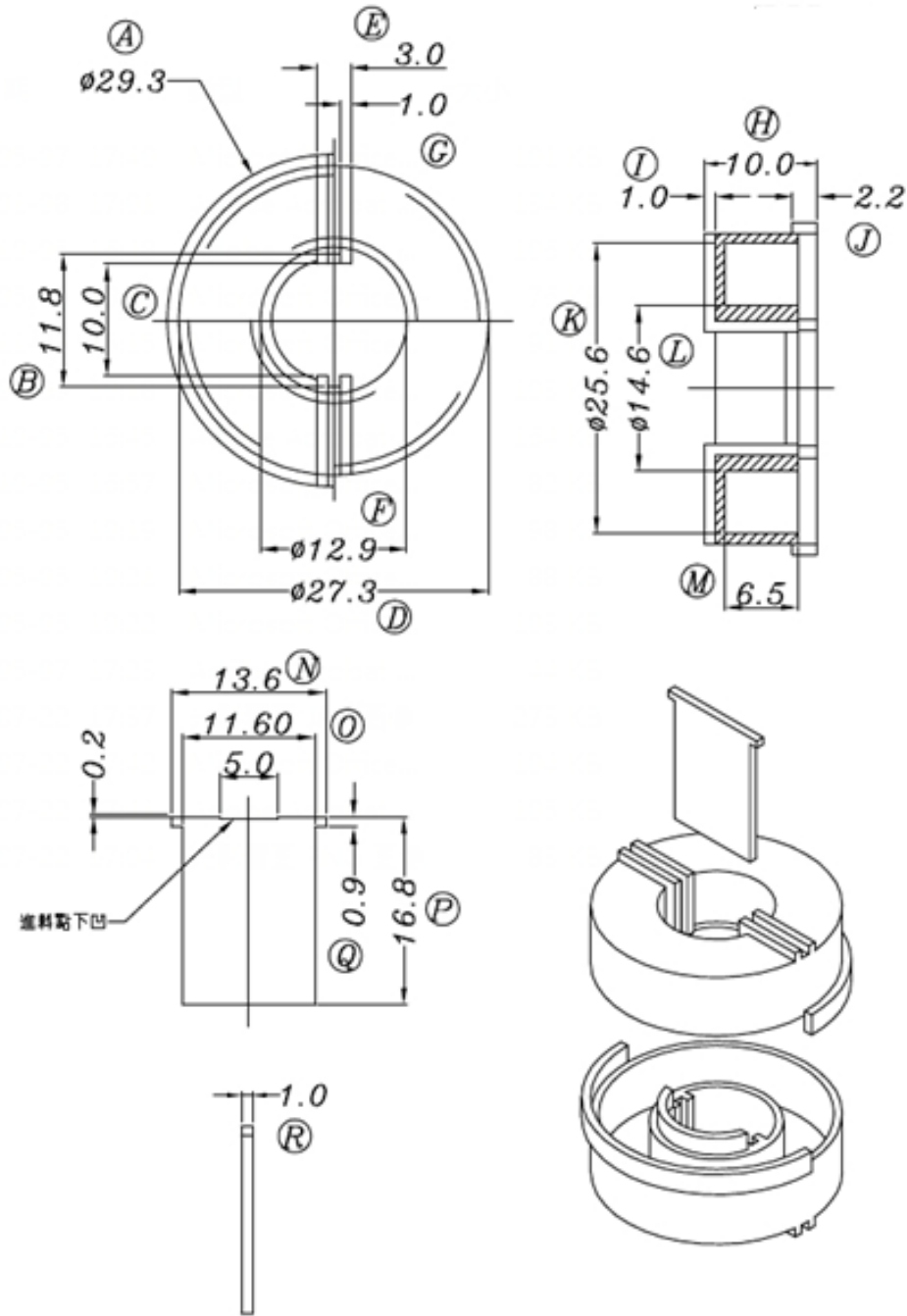
DRAFTED BY	TianXipeng	TOLERANCE		ANGLR: ±1°	MODEL NAME: T22*14*8 BASE 4P	
CHECKED BY	Jack Wang	0<L≤4 ±0.1 4<L≤16 ±0.2 16<L≤63 ±0.3	Pin pitch ±0.20	UNIT:MM	MATERIAL: PET	UL REC: UL 94V-0
 SHANHOM SHAANXI SHINHOM ENTERPRISE CO.,LTD TEL: 029-87851838 FAX:029-87851840 Email: sales@shinhom.com.cn				SCALE: 1/1	TERMINAL MAT:CP WIRE	PIN TENSION LOAD: 1.0 KGS MIN
					DATE: 2015.05.15	DRAWING NO:


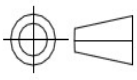


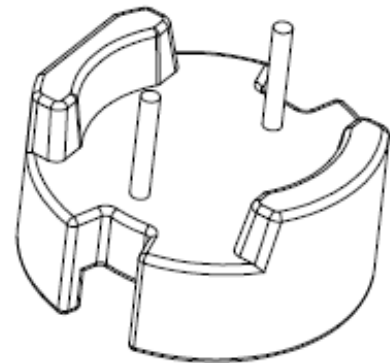
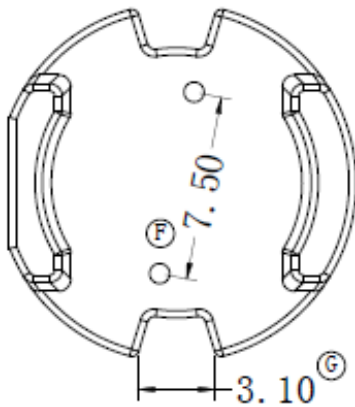
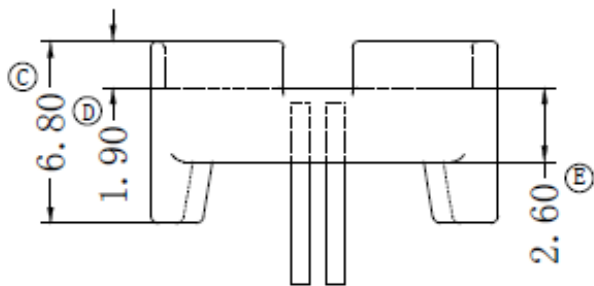
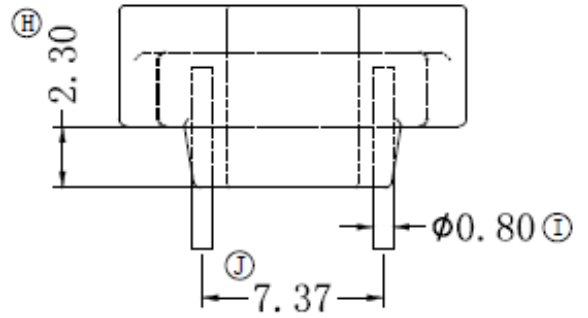
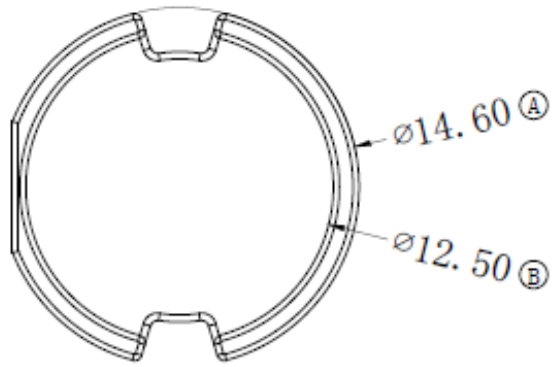
DRAFTED BY	TianXipeng	TOLERANCE		ANGLR: $\pm 1^\circ$	MODEL NAME: T22*14*8 BASE 4P	
CHECKED BY	Jack Wang	0<L≤4 ±0.1 4<L≤16 ±0.2 16<L≤63 ±0.3	Pin pitch ±0.20	UNIT:MM	MATERIAL: PET	UL REC: UL 94V-0
 SHANHOM SHAANXI SHINHOM ENTERPRISE CO.,LTD TEL: 029-87851838 FAX:029-87851840 Email: sales@shinhom.com.cn				SCALE: 1/1	TERMINAL MAT:CP WIRE	PIN TENSION LOAD: 1.0 KGS MIN
					DATE: 2015.05.15	DRAWING NO:


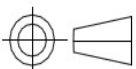


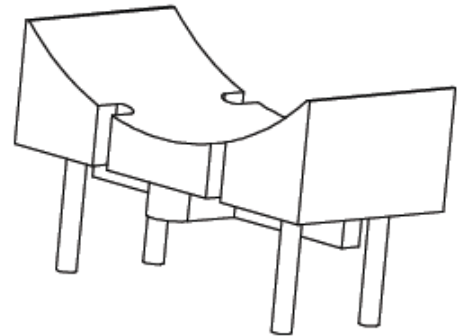
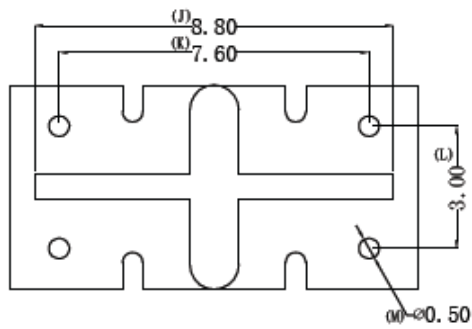
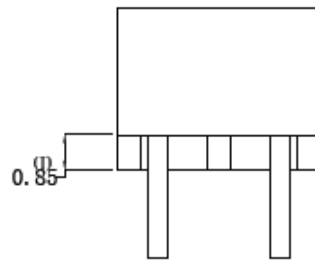
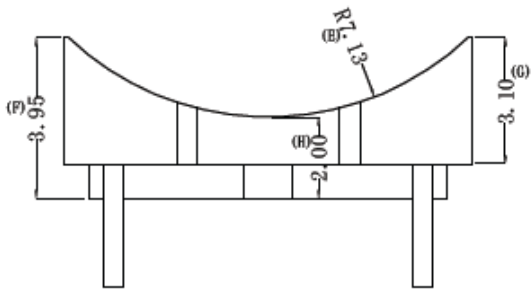
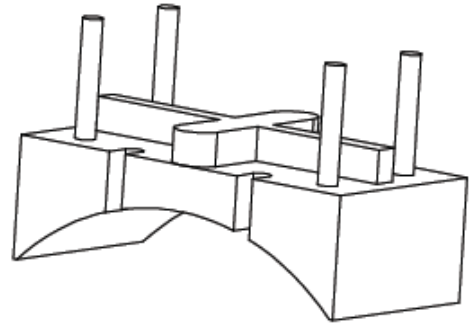
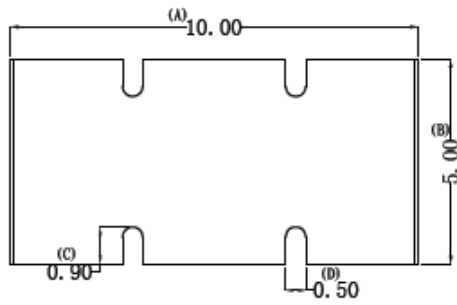
DRAFTED BY	TianXipeng	TOLERANCE		ANGLR: ±1°	MODEL NAME: BASE-06 工字 8*10(1+1) PIN		
CHECKED BY	Jack Wang	0<L≤4 ±0.1 4<L≤16 ±0.2 16<L≤63 ±0.3	Pin pitch ±0.20	UNIT:MM	MATERIAL: PHENOLIC	UL REC: UL 94V-0	
 SHANHOM SHAANXI SHINHOM ENTERPRISE CO.,LTD TEL: 029-87851838 FAX:029-87851840 Email: sales@shinhom.com.cn				SCALE: 1/1	TERMINAL MAT:CP WIRE	PIN TENSION LOAD: 1.0 KGS MIN	
					DATE: 2018.05	DRAWING NO:	REV. A


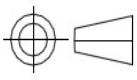


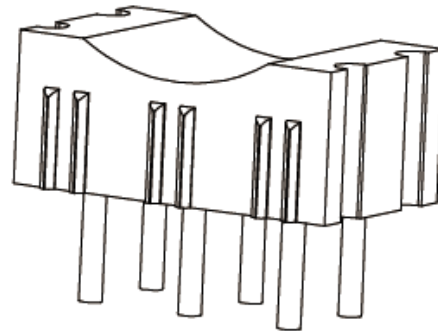
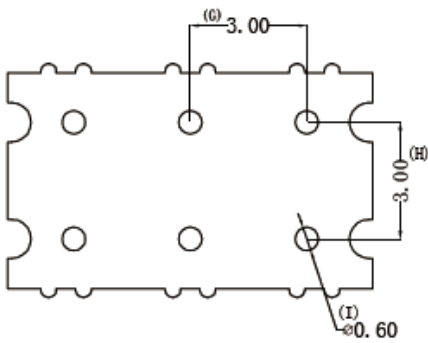
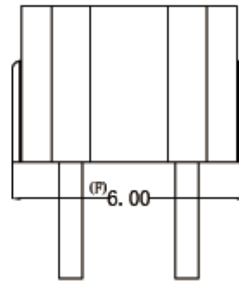
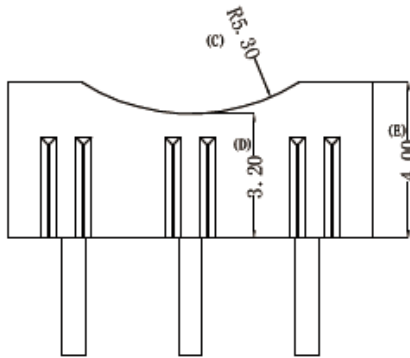
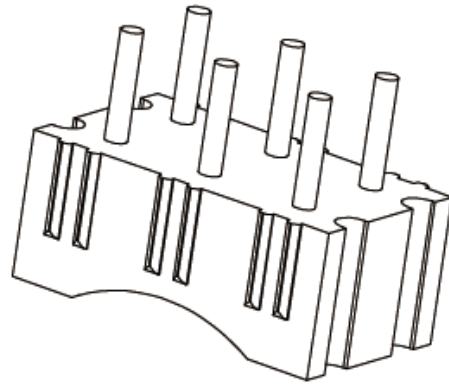
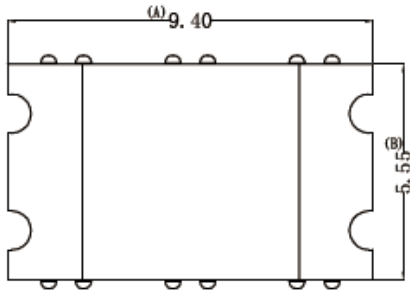
DRAFTED BY	TianXipeng	TOLERANCE		ANGLR: ±1°	MODEL NAME: T25*15*13 CROVER	
CHECKED BY	Jack Wang	0<L≤4 ±0.1 4<L≤16 ±0.2 16<L≤63 ±0.3	Pin pitch ±0.20	UNIT:MM	MATERIAL: PBT	UL REC: UL 94V-0
 SHANHOM SHAANXI SHINHOM ENTERPRISE CO.,LTD TEL: 029-87851838 FAX:029-87851840 Email: sales@shinhom.com.cn				SCALE: 1/1	TERMINAL MAT:CP WIRE	PIN TENSION LOAD: 1.0 KGS MIN
					DATE: 2015.05.15	DRAWING NO:


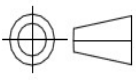


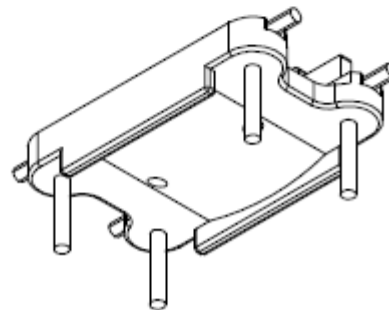
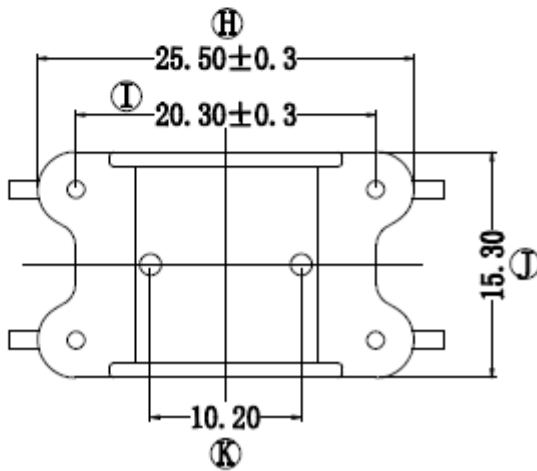
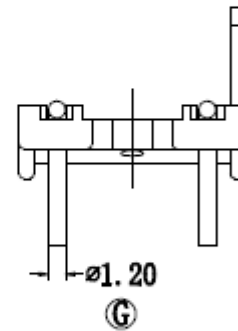
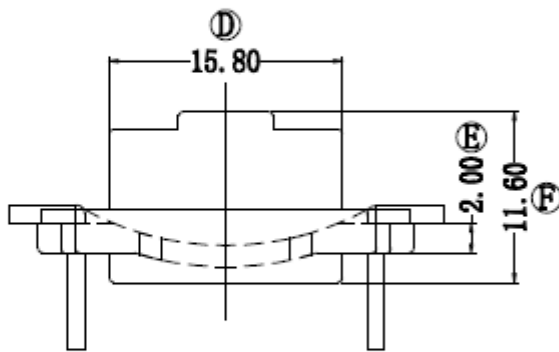
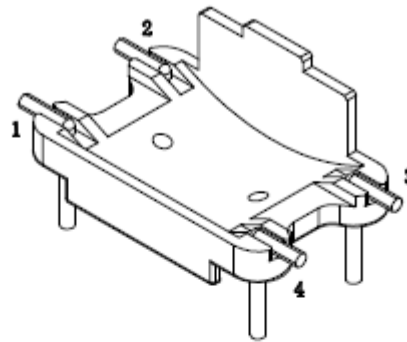
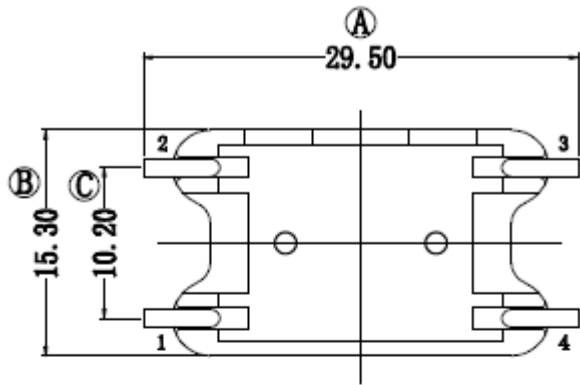
DRAFTED BY	TianXipeng	TOLERANCE		ANGLR: ±1°	MODEL NAME: BASE-07 工字 12*14 (1+1) PIN		
CHECKED BY	Jack Wang	0<L≤4 ±0.1 4<L≤16 ±0.2 16<L≤63 ±0.3	Pin pitch ±0.20	UNIT:MM	MATERIAL: PHENOLIC	UL REC: UL 94V-0	
 SHANHOM SHAANXI SHINHOM ENTERPRISE CO.,LTD TEL: 029-87851838 FAX:029-87851840 Email: sales@shinhom.com.cn				SCALE: 1/1	TERMINAL MAT:CP WIRE	PIN TENSION LOAD: 1.0 KGS MIN	
					DATE: 2018.05	DRAWING NO:	REV. A


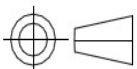


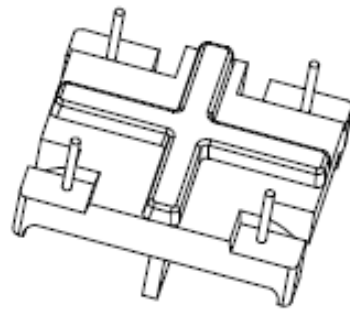
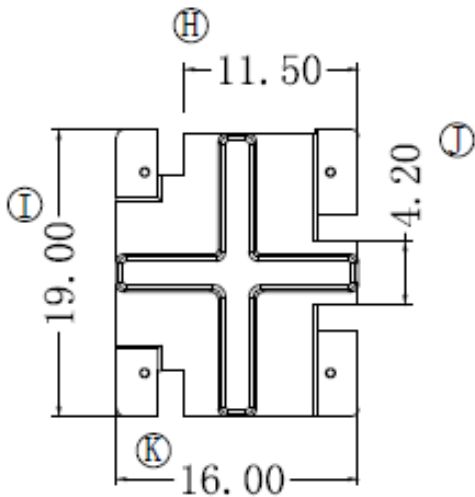
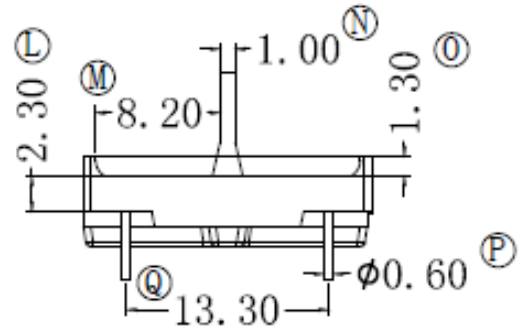
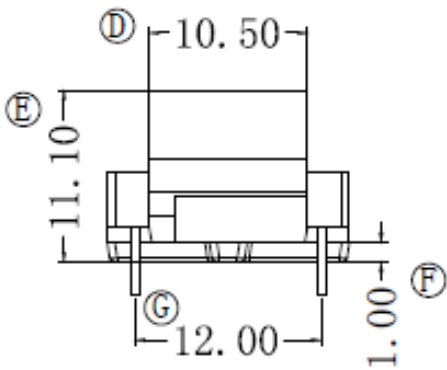
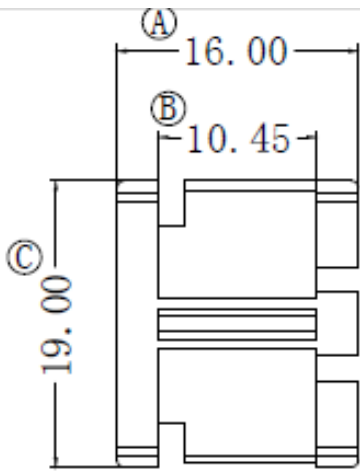
DRAFTED BY	TianXipeng	TOLERANCE		ANGLR: ±1°	MODEL NAME: BASE1001-4pin	
CHECKED BY	Jack Wang	0 < L ≤ 4 ±0.1 4 < L ≤ 16 ±0.2 16 < L ≤ 63 ±0.3	Pin pitch ±0.20	UNIT:MM	MATERIAL: PHENOLIC	UL REC: UL 94V-0
 SHANHOM SHAANXI SHINHOM ENTERPRISE CO.,LTD TEL: 029-87851838 FAX:029-87851840 Email: sales@shinhom.com.cn				SCALE: 1/1	TERMINAL MAT:CP WIRE	PIN TENSION LOAD: 1.0 KGS MIN
					DATE: 2015.05.15	DRAWING NO:


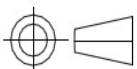


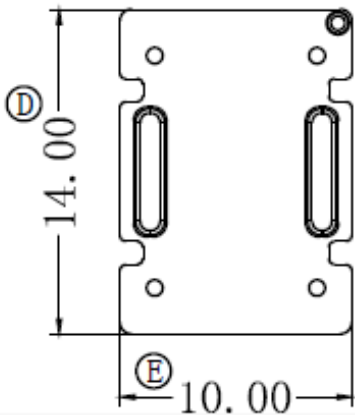
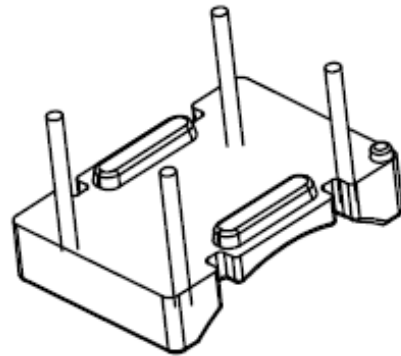
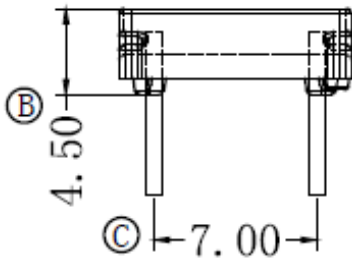
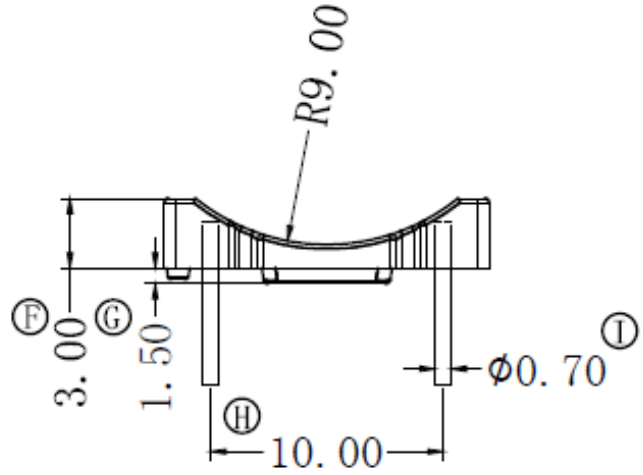
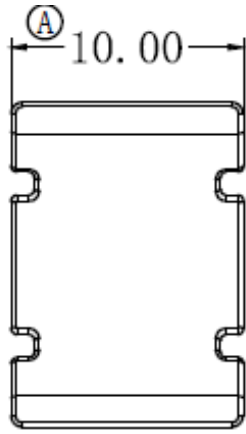
DRAFTED BY	TianXipeng	TOLERANCE		ANGLR: ±1°	MODEL NAME: BASE1002-6pin	
CHECKED BY	Jack Wang	0<L≤4 ±0.1 4<L≤16 ±0.2 16<L≤63 ±0.3	Pin pitch ±0.20	UNIT:MM	MATERIAL: PHENOLIC	UL REC: UL 94V-0
 SHANHOM SHAANXI SHINHOM ENTERPRISE CO.,LTD TEL: 029-87851838 FAX:029-87851840 Email: sales@shinhom.com.cn				SCALE: 1/1	TERMINAL MAT:CP WIRE	PIN TENSION LOAD: 1.0 KGS MIN
					DATE: 2015.05.15	DRAWING NO:


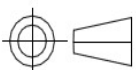


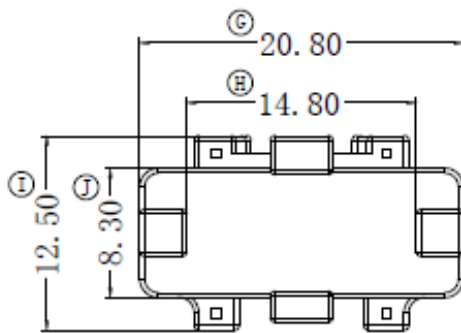
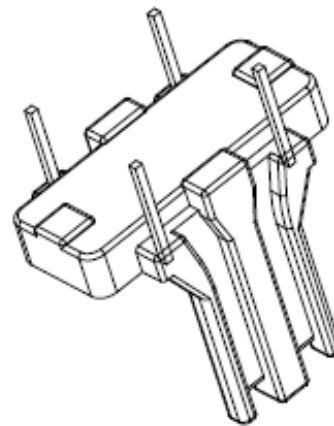
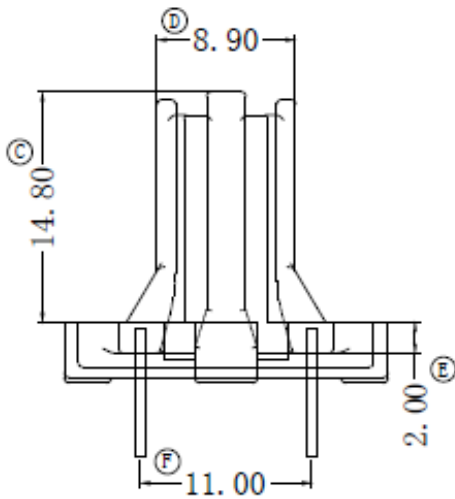
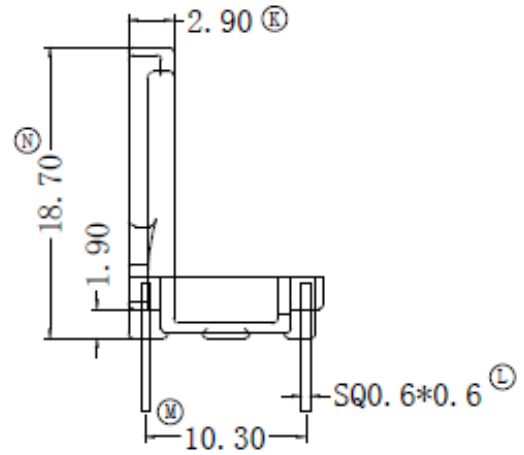
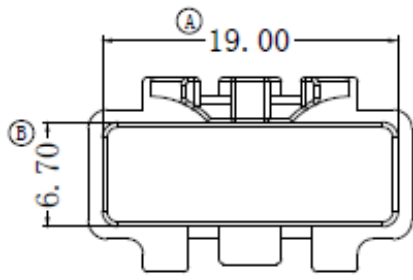
DRAFTED BY	TianXipeng	TOLERANCE		ANGLR: ±1°	MODEL NAME: T25*15*11 BASE 4P	
CHECKED BY	Jack Wang	0<L≤4 ±0.1 4<L≤16 ±0.2 16<L≤63 ±0.3	Pin pitch ±0.20	UNIT:MM	MATERIAL: PBT4830	UL REC: UL 94V-0
 SHANHOM SHAANXI SHINHOM ENTERPRISE CO.,LTD TEL: 029-87851838 FAX:029-87851840 Email: sales@shinhom.com.cn				SCALE: 1/1	TERMINAL MAT:CP WIRE	PIN TENSION LOAD: 1.0 KGS MIN
					DATE: 2015.05.15	DRAWING NO:


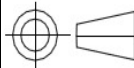


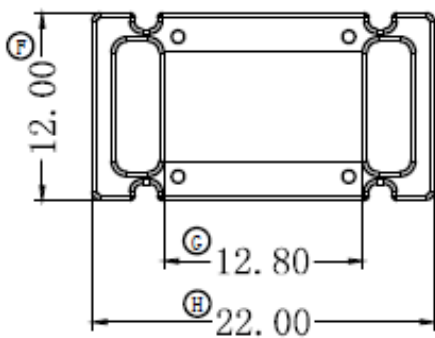
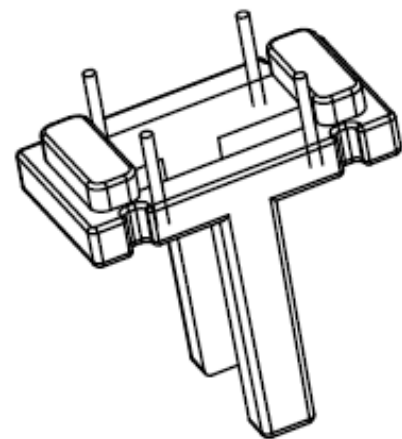
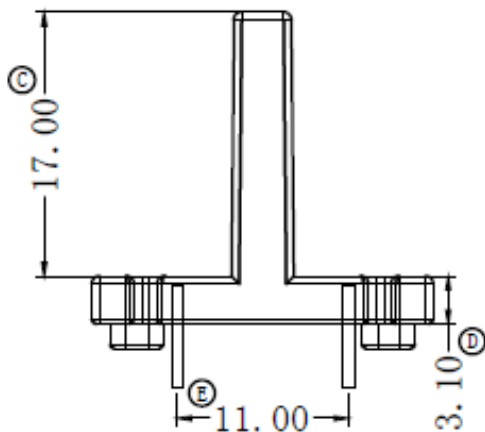
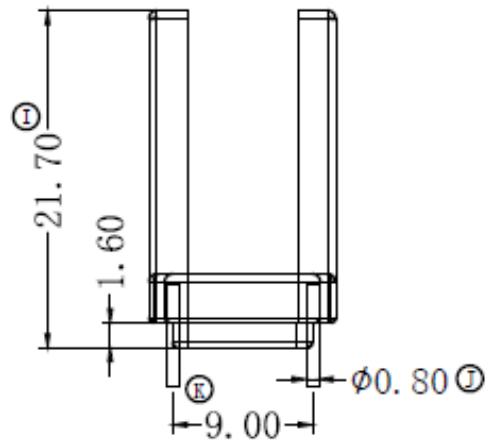
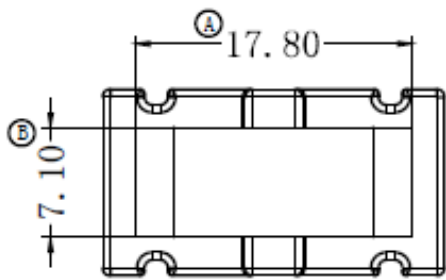
DRAFTED BY	TianXipeng	TOLERANCE		ANGLR: ±1°	MODEL NAME: BASE-1501 SQ-15 (2+2) PIN		
CHECKED BY	Jack Wang	0<L≤4 ±0.1 4<L≤16 ±0.2 16<L≤63 ±0.3	Pin pitch ±0.20	UNIT:MM	MATERIAL: PHENOLIC	UL REC: UL 94V-0	
 SHANHOM ENTERPRISE CO.,LTD TEL: 029-87851838 FAX:029-87851840 Email: sales@shinhom.com.cn				SCALE: 1/1	TERMINAL MAT:CP WIRE	PIN TENSION LOAD: 1.0 KGS MIN	
					DATE: 2018.05	DRAWING NO:	REV. A


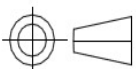


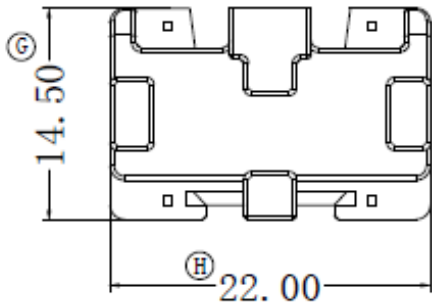
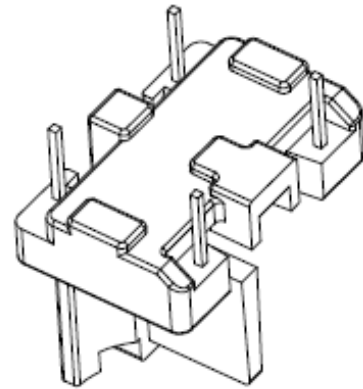
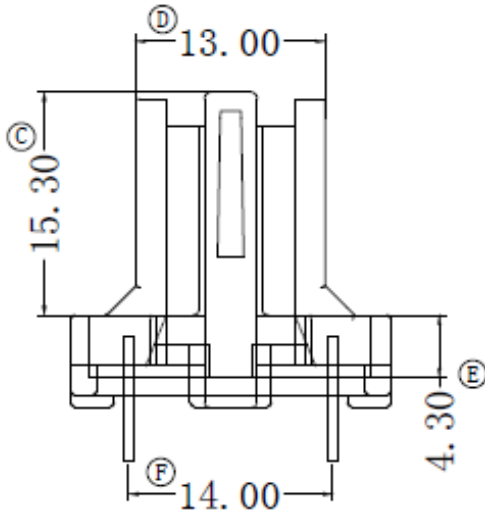
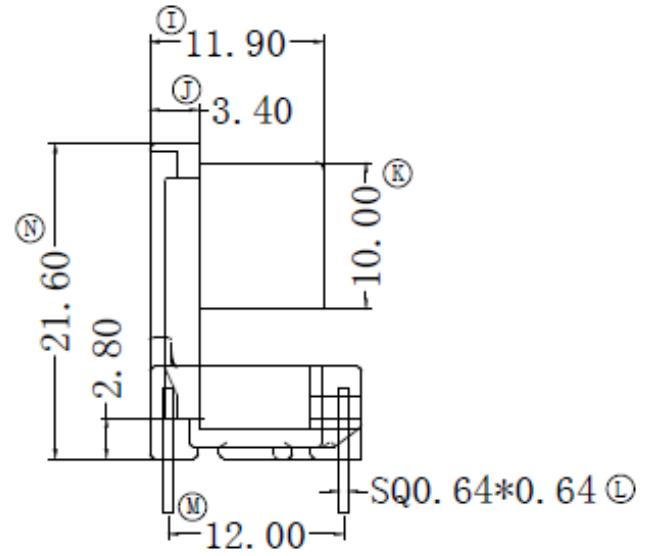
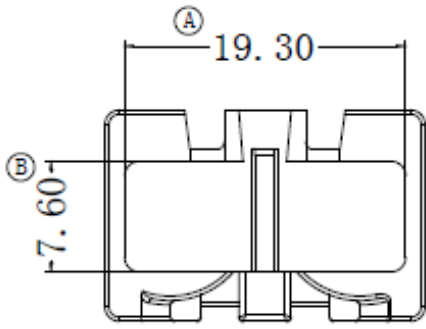
DRAFTED BY	TianXipeng	TOLERANCE		ANGLR: ±1°	MODEL NAME: BASE-1810 10*10 (2+2) PIN	
CHECKED BY	Jack Wang	0<L≤4 ±0.1 4<L≤16 ±0.2 16<L≤63 ±0.3	Pin pitch ±0.20	UNIT:MM	MATERIAL: PHENOLIC	UL REC: UL 94V-0
 SHANHOM SHAANXI SHINHOM ENTERPRISE CO.,LTD TEL: 029-87851838 FAX:029-87851840 Email: sales@shinhom.com.cn				SCALE: 1/1	TERMINAL MAT:CP WIRE	PIN TENSION LOAD: 1.0 KGS MIN
					DATE: 2018.05	DRAWING NO:


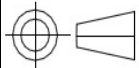


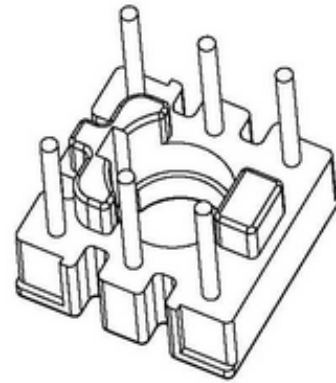
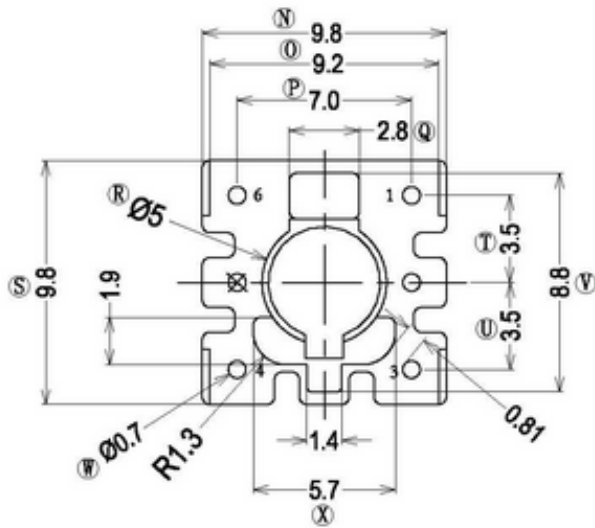
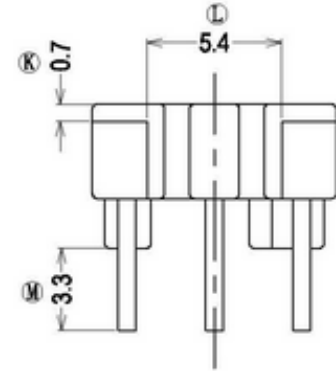
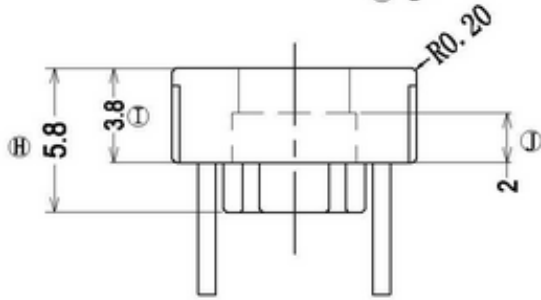
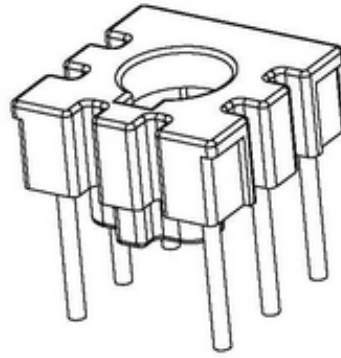
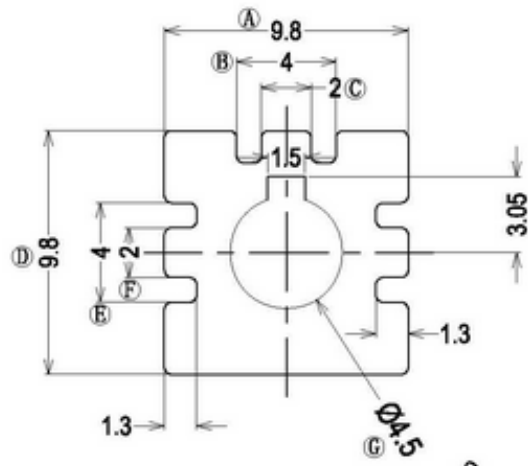
DRAFTED BY	TianXipeng	TOLERANCE		ANGLR: ±1°	MODEL NAME: BASE-1901 (2+2) PIN	
CHECKED BY	Jack Wang	0<L≤4 ±0.1 4<L≤16 ±0.2 16<L≤63 ±0.3	Pin pitch ±0.20	UNIT:MM	MATERIAL: PHENOLIC	UL REC: UL 94V-0
 SHANHOM SHAANXI SHINHOM ENTERPRISE CO.,LTD TEL: 029-87851838 FAX:029-87851840 Email: sales@shinhom.com.cn				SCALE: 1/1	TERMINAL MAT:CP WIRE	PIN TENSION LOAD: 1.0 KGS MIN
					DATE: 2018.05	DRAWING NO:


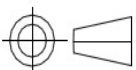


DRAFTED BY	TianXipeng	TOLERANCE		ANGLR: ±1°	MODEL NAME: BASE-2017 (2+2) PIN		
CHECKED BY	Jack Wang	0<L≤4 ±0.1 4<L≤16 ±0.2 16<L≤63 ±0.3	Pin pitch ±0.20	UNIT:MM	MATERIAL: PHENOLIC	UL REC: UL 94V-0	
 SHANHOM SHAANXI SHINHOM ENTERPRISE CO.,LTD TEL: 029-87851838 FAX:029-87851840 Email: sales@shinhom.com.cn				SCALE: 1/1	TERMINAL MAT:CP WIRE	PIN TENSION LOAD: 1.0 KGS MIN	
					DATE: 2018.05	DRAWING NO:	REV. A



DRAFTED BY	TianXipeng	TOLERANCE		ANGLR: ±1°	MODEL NAME: BASE-2301(2+2) PIN		
CHECKED BY	Jack Wang	0<L≤4 ±0.1 4<L≤16 ±0.2 16<L≤63 ±0.3	Pin pitch ±0.20	UNIT:MM	MATERIAL: PHENOLIC	UL REC: UL 94V-0	
 SHANHOM SHAANXI SHINHOM ENTERPRISE CO.,LTD TEL: 029-87851838 FAX:029-87851840 Email: sales@shinhom.com.cn				SCALE: 1/1	TERMINAL MAT:CP WIRE	PIN TENSION LOAD: 1.0 KGS MIN	
					DATE: 2018.05	DRAWING NO:	REV. A



DRAFTED BY	TianXipeng	TOLERANCE		ANGLR: ±1°	MODEL NAME: BASE K156-6pin	
CHECKED BY	Jack Wang	0<L≤4 ±0.1 4<L≤16 ±0.2 16<L≤63 ±0.3	Pin pitch ±0.20	UNIT:MM	MATERIAL: PHENOLIC	UL REC: UL 94V-0
 SHANHOM SHAANXI SHINHOM ENTERPRISE CO.,LTD TEL: 029-87851838 FAX:029-87851840 Email: sales@shinhom.com.cn				SCALE: 1/1	TERMINAL MAT:CP WIRE	PIN TENSION LOAD: 1.0 KGS MIN
					DATE: 2015.05.15	DRAWING NO: